



NIAGARA[®]

PRODUCT CATALOG

WELCOME TO THE
WATER REVOLUTION.
WE SAVED YOU A
Seat.



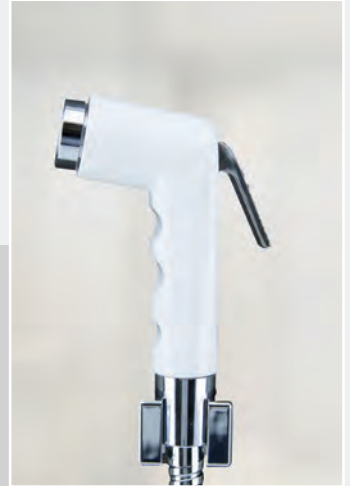
BUILDING A SUSTAINABLE *Pathway*



Niagara conservation™ is a prime global source for energy and water conservation products and programs worldwide. Unlike our competitors, we are a vertical manufacturer that has grown our company and facilities to provide you the highest quality products with the best conservation technology available.

The Niagara name has become synonymous with innovative conservation for a growing customer base of utility companies, government leaders, energy management officials, and Eco/cost-conscious homeowners and developers.

Today - as climate change, population growth, and record droughts present an unprecedented strain on our water supply - we are doubling down on our purpose and pushing our technology to invent ways for our customers to go from mindless waste to mindful conservation.



**INNOVATIVE
BATHROOM
SOLUTIONS**

TABLE OF *Contents*

	Stealth By Niagara®	04-09
	Middle East Sanitary Ware	10-39
	Aerators and Shattafs	40-49
	Middle East Faucets and Taps	50-73
	Shower Heads, Rain Showers, & Sliding Rails	74-88
	Middle East Accessories	89-127
	Plumbing Fixtures & Public Areas	128-135
	Technical Information	136-210

STEALTH BY NIAGARA®

The Niagara patented toilet line features revolutionary Stealth Technology®, creating a high performance flush at 3.0 LPF. This means water bill savings without sacrificing performance and satisfaction.

Other benefits include minimal maintenance flush system, no double-flushing, and technology that has a fixed rate that ensures a true 3.0 liter per flush every time.

A Niagara toilet is not only the perfect choice for new construction, but its large footprint and oversized structure also makes it ideal for retrofitting - there is no need to replace floor tiles or boards as it will cover the pre-existing footprint. All Niagara® toilets are warrantied for 10 years against any manufacturing related defects, parts and porcelain.

Offers an industry leading **15-year warranty** on internal tank components.





Stealth Technology®

How It Works

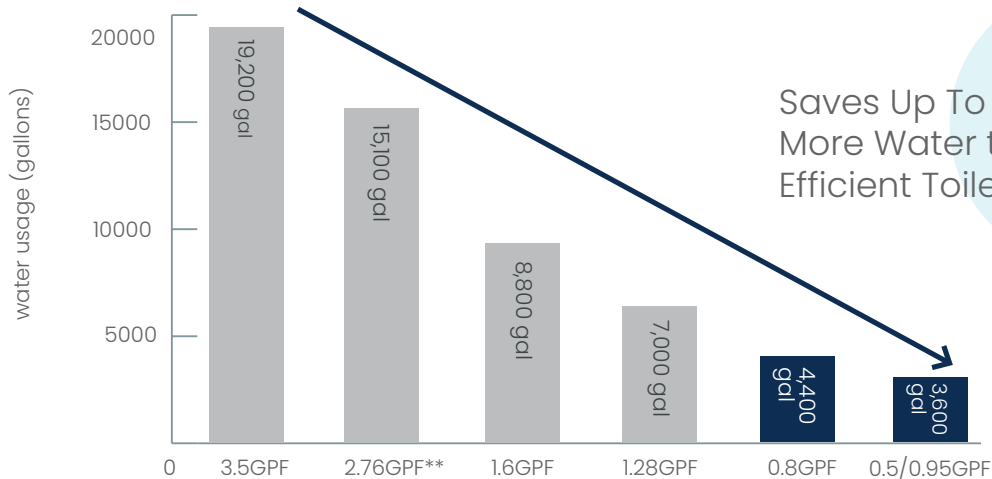


Before the flush...

- 1 Water begins to refill the inner chamber and the tank surrounding it. As water fills the inner chamber, it pushes air into an air transfer tube.
- 2 Air leaves the transfer tube and pressurizes the trapway.
- 3 Air pressure exerted on the "bowl side" of the trapway creates a larger water surface.

During the flush...

- 1 When the flush button is pressed, water leaving the tank forces water through the openings in the side and front of the bowl rim.
- 2 Water flows down through the bowl, thoroughly rinsing the surface.
- 3 Water leaves the tank and enters the trapway under pressure.
- 4 As water leaves the inner chamber, it pulls air from the trapway into the transfer tube.
- 5 Air leaving the trapway creates a vacuum, exerting a pull that accelerates the force of water flowing through the trapway.



Saves Up To **77%**
More Water than Less
Efficient Toilets*

Note: Items in this section without the Stealth® logo do not include this technology



Toilets have been using the same crude mechanics for 200 years. That's why they're prone to breaking, clogging, partial flushes and other nastiness. Worst of all, they waste an obscene amount of water.

Niagara has re-engineered the flush for a high-power, low-maintenance, nowaste toilet - making it one of the most efficient toilets on the planet. See how we're turning mindless waste into mindful conservation.

Inside The Tank



Air Transfer Tube

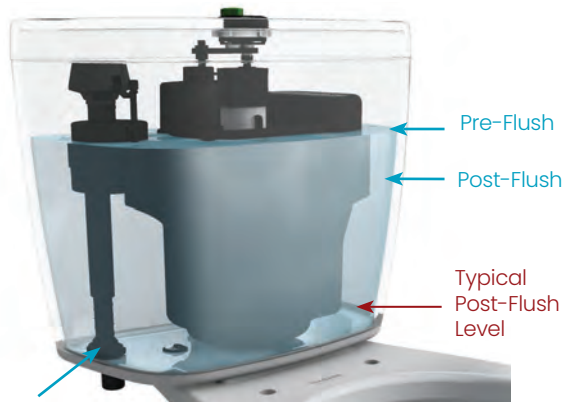
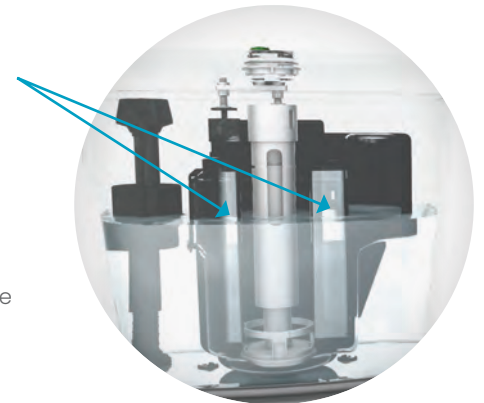
AIR TRANSFER TUBE:

A Patented Vacuum-Assist Flush Technology That Delivers A Silent, Powerful Flush

BEFORE FLUSH: When water fills the tank/inner chamber, air is pushed back into the patented air transfer tube. This pressurizes the trapway and primes the toilet for a powerful and quiet flush.

DURING FLUSH: When the flush button is pressed, water leaves the Stealth inner chamber and pulls air from the trapway up through the air transfer tube. This creates a vacuum-assisted pull that accelerates the force of the water and waste flowing through the trapway. Once the flush is complete, the system refills and is primed for the next flush.

Dual Flush Technology has primary and secondary chambers for either a full or half flush. When the "half" flush button is pressed, only the primary chamber is used, releasing 1.8 liters of water, to handle liquid waste. A "full" flush utilizes both chambers for additional power to accommodate solid waste.



Fill Valve

NOISE-CANCELLING TANK:

Equipped with a Fluidmaster 400A Fill Valve... That You Will Never Hear!

We have dramatically reduced the noise of the fill valve. Because such little water is used, the valve is never exposed. It remains submerged canceling out the noise produced.

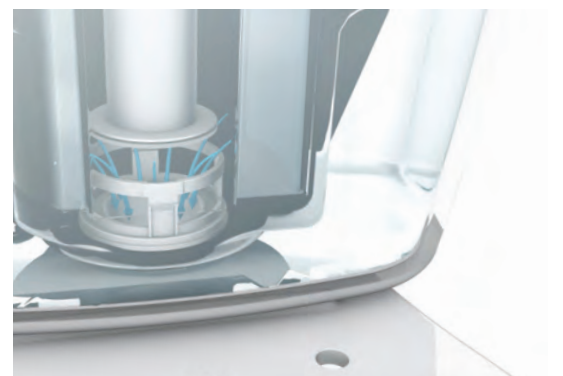
VIRTUALLY MAINTENANCE FREE:

Stealth Seal VS Standard Flapper

The **360° water flow** moves into the bowl faster and easier than a standard flapper as there is no blockage from objects. The Stealth seal is backed by a hard plastic plate which presses down and **equally distributes pressure** across the seal. This ensures that water does not leak while a standard flapper is prone to leak due to wafering and lack of support.



Standard Flapper





NIAGARA

PHANTOM



Phantom®

3.0 LPF

N7747EB-10-TME-Elongated Bowl
N7747T-TME Tank

- Flush: Top Button
- Concealed Trap
- Angled Bracket Mounting
- Bottom Outlet
- 10" Rough-In

SPECIFICATIONS

Rough-In: 254mm (10")
 Materials: Vitreous China
 Finish Color: White

*Technical Drawing: pg 137

CERTIFICATIONS

MaP Premium 800g
 ASME A112.19.2 Compliant
 SASO Water Efficiency
 Labeled Product



Phantom®

0.8 GPF Single Flush Toilet
Elongated Bowl with 12" Rough-In

N7747-TME- Elongated Bowl
N7747T-TME- Tank



- Quiet, Powerful Flush Delivered With A Patented Stealth® Flush Chamber And Air Transfer System
- Reliable Standard Fluidmaster Fill Valve
- One Flush Thoroughly Evacuates The Bowl Every Time, Eliminating Double Flushing
- Smooth, Low Friction Ceramic Surface Helps Achieve A Clear Bowl Every Time
- Two-piece Toilet With A Skirted Trapway That Simplifies Cleaning
- Stylish, Inconspicuous And Durable Flush Button
- No Flapper To Cause Leakage
- Ada Compliant*

SPECIFICATIONS

Materials: Vitreous China

Finish Color: White

Codes/Standards:

ASME A112.19.2/CSA B45.1

DOE - Energy Policy Act 1992

California Energy Commission (CEC)

ICC/ANSI A117.1

*Technical Drawing: pg 137

*Tank Replacement: pg 138





*SEAT NOT INCLUDED

The Original™

3.0 LPF (0.95 GPF)/N7717-T-TDF Round Bowl With Stealth Technology®

N7717-TME Elongated Bowl

N7714-TME Tank

- One Flush Thoroughly Evacuates The Bowl Every Time - No Double Flushing
- Two-piece Toilet
- Stylish, Inconspicuous And Durable Flush Button
- No Flapper To Cause Leakage

SPECIFICATIONS

Rough-In: 305mm (12")

Materials: Vitreous China

Finish Color: White

*Technical Drawing: pg 138

CERTIFICATIONS

MaP Premium 800g

ASME A112.19.2

WaterSense® Certified



Niagara is a prime global source for water conservation products and programs worldwide. Unlike our competitors, we are a vertical manufacturer that has grown our company to provide you with the highest quality products with the best conservation technology available.



Industry Leading
15-Year Warranty



Designed with Quality
Parts: Fluidmaster®
400A Fill Valve



Extra-Large Footprint,
Great for Renovations



Factory Assembled,
Installs in 10 Minutes
or Under



Exceptional Performance

- Line Carry
- MaP Score
- WaterSense® Certified

NIAGARA MIDDLE *East*



SANITARY WARE



NIAGARA
HUSTON
MONOBLOCK
DESIGN



New Rimless Technology

Huston Monoblock WC

N24006

- Flush: Top Button
- Concealed Trap
- Floor Mounted Two Pieces Wc
- Size: 640x360x850 mm
- Rimless Design Flushing
- WC Includes Flushing System
- 6/3L Dual Flush Cistern

SPECIFICATIONS

Materials: Vitreous China

Finish Color: White

Technical Drawing: pg 139

- Angled Bracket Mounting
- S/P Trap Out Let
- S Strap 220-250mm

NIAGARA HUSTON BACK TO WALL DESIGN



**SOFT
CLOSE**



New Rimless Technology

Huston Back To Wall WC

N24001

- Concealed Trap
- Floor Mounted Back To Wall WC
- Size: 560 X 360 X 410 mm
- Rimless Design Flushing

SPECIFICATIONS

Materials: Vitreous China

Finish Color: White

Technical Drawing: pg 139

- Angled Bracket Mounting
- S Trap 250mm
- P Trap 180 mm Rough-In



NIAGARA

HUSTON

WALL HUNG

DESIGN



New Rimless Technology

Huston Wall Hung WC

N24002

- Concealed Trap
- Wall mounted WC
- Size: 520 X 360 X 340 mm
- Rimless design Flushing

SPECIFICATIONS

Materials: Vitreous China

Finish Color: White

Technical Drawing: pg 139

- Hidden Fixation System
- Wall Outlet



New Jersey Monoblock WC

N23006

- Flush: Top Button
- Concealed Trap
- Floor Mounted Two Pieces WC
- Size: 680 X 365 X 800 mm
- TORNADO Flushing
- WC Includes Flushing System
- 6/3L Dual Flush Cistern

SPECIFICATIONS

Materials: Vitreous China

Finish Color: White

Technical Drawing: pg 140

- Angled Bracket Mounting
- P TRAP 180 mm Rough-In
- S TRAP 223-226 mm
- Rough-In

Available Colors

Make to Order



○ White

● Black

● Grey

● Beige



NIAGARA
NEW JERSEY
BACK TO WALL



New Jersey Back To Wall WC

N23001

- Concealed Trap
- Floor Mounted Back To Wall WC
- Size: 525 X 360 X 400 mm
- Rimless Design Flushing

SPECIFICATIONS

Materials: Vitreous China

Finish Color: White

Technical Drawing: pg 140

- Angled Bracket Mounting
- P TRAP 180 mm Rough-In



NIAGARA
**NEW JERSEY
WALL HUNG**



New Jersey Wall Hung WC

N23002

- Concealed Trap
- Wall Mounted Wall Hung WC
- Size: 360 X 520 X 350 mm
- Rimless Design Flushing

SPECIFICATIONS

Materials: Vitreous China

Finish Color: White

Technical Drawing: pg 140

- Hidden Fixation System

NIAGARA NEW YORK COLLECTION



New York Back To Wall WC

N2155B

- Concealed Trap
- Floor Mounted Back To Wall WC
- Size: 545 X 365 X 410 mm
- WashDown Flushing

SPECIFICATIONS

Materials: Vitreous China

Finish Color: White

Technical Drawing: pg 141

- Angled Bracket Mounting
- Bottom Outlet
- P TRAP 180 mm Rough-In



New York Wall Hung WC

N2155W

- Concealed Trap
- Wall Mounted WC
- Size: 550 X 365 X 395 mm
- Washdown Flushing

SPECIFICATIONS

Materials: Vitreous China

Finish Color: White

Technical Drawing: pg 141

- Angled Bracket Mounting
- Bottom Outlet



NIAGARA
MINA
MONOBLOCK



Mina Monoblock WC

NT2251

- Flush: Top Button
- Concealed Trap
- Size: 610 X 375 X 845 mm
- Rimless Design Flushing
- 6/3L Dual Flush Cistern

SPECIFICATIONS

Materials: Vitreous China

Finish Color: White

Technical Drawing; pg 141

- Angled Bracket Mounting
- Bottom Outlet
- P Trap 180 mm Rough-In
- S Trap 220mm-250mm

NIAGARA STREET PLUS COLLECTION



Street Plus Monoblock WC

NL2032

- Flush: Top Button
- Concealed Trap
- Floor Mounted Two Pieces WC
- Size: 700 x 390 x 780 mm
- S Trap & P Trap 250 mm Roughing In
- WC Includes Flushing system
- 6/3L Dual Flush Cistern

SPECIFICATIONS

- Materials:** Vitreous China
- Finish Color:** White
- Technical Drawing: pg 142*
- Screw Mounting
 - Bottom Outlet



**SOFT
CLOSE**



**SOFT
CLOSE**

Street Plus Wall Hung WC

N2155W

- Wall mounted WC
- Size: 550 x 365 x 400 mm
- WASHDOWN Flushing

SPECIFICATIONS

- Materials:** Vitreous China
- Finish Color:** White
- Technical Drawing: pg 142*
- Wall Outlet



NIAGARA
ONE PIECE
COLLECTION



**SOFT
CLOSE** 

One Piece Collection WC

NL1171A

- Flush: Top Button
- Concealed Trap
- Floor Mounted One Pieces WC
- Size: 704 X 385 X 785mm
- SIPHON Flushing
- WC Includes Flushing System
- 6/3L Dual Flush Cistern

SPECIFICATIONS

Materials: Vitreous China

Finish Color: White

Technical Drawing: pg 142

- Angled Bracket Mounting
- Bottom Outlet
- S Trap 280 mm Rough-In



One Piece Collection WC

6171K

- Flush: Top Button
- Concealed Trap
- Floor mounted One Pieces WC
- Size: 700 X 380 X 805 mm
- Washdown Flushing
- Angled Bracket Mounting
- Bottom Outlet
- S Trap 250-300 mm Roughin-In
- 6/3L Dual Flush Cistern

SPECIFICATIONS

Materials: Vitreous China

Finish Color: White

Technical Drawing: pg 143

NIAGARA

PROJECT PRO COLLECTION

COMING SOON



Project Pro Wall-Hung Toilet

NL2040WP-SA

- RIM only Common Flushing Way
- PP Seat Cover with Fix Screw
- Size: 704 X 385 X 785mm
- Siphone Flushing

SPECIFICATIONS

- With Fixing Screw
- With Special Flange
- Slow Down PP Seat Cover



NIAGARA URINAL COLLECTION



Dallas Urinal With Sensor Flush

NL620070

- Wall Hung Urinal
- Size: 360 X 360 X 600 mm
- Sensor

SPECIFICATIONS

Materials: Vitreous China

Finish Color: White

Technical Drawing: pg 143



Urinal Divider 81cm

NL33080

- Wall Urinal Divider
- Size: 810 X 400 X 100 mm

Technical Drawing: pg 143

SQUATING PAN COLLECTION



Squatting Pan

NT9020

- Eastern Squating Pan
- Size: 595 X 465 X 215 mm

SPECIFICATIONS

Materials: Vitreous China
Finish Color: White



Squatting Pan

NT9607

- Eastern Squating Pan
- Size: 530 X 420 X 180 mm

SPECIFICATIONS

Materials: Vitreous China
Finish Color: White

NIAGARA EASTERN WATER CLOSET TANK

Eastern Wall Mounted Dual Flush Toilet 3.0/4.8 LPF

N2373

- Eastern Squating Pan
- Size: 530 X 420 X 180 mm

SPECIFICATIONS

Materials: Vitreous China
Finish Color: White



NIAGARA CONCEALED CISTERN AND PLATES



Concealed Cistern For Wall Hung WC

NLRT61455

- EN 14055 CL1 - 7 - NL I - VR II
- Discharge volume 3/6 L
- Appropriate For Dry Wall Installation And Brick Wall Installation
- Completely preassembled in the factory
- Water tank capacity 10 L max.
- Tank depth 80 mm (Overall thickness including frame 100 mm)
- Mechanical Dual Flush - Not Included Order Separately
- Water supply connection top right G 1/2 Male
- Acoustic Class (1st Class) EN 14124 Inlet Valve
- Water flow pressure 0.3 MPa (3 bar) / Max Vol : 9.0 dB, Flow rate : 9L/min
- Impact Copolymer special PP Body. (High resistance to impact and thermal shock)
- Styropor insulation in front of the body for a better acoustic level and to prevent condensation.
- Powder coated, tubing profile thick (30 mm x 40 mm) metal frame.
- WC hanging rods can bear up to 400 kgs. (Adjustable for 18 or 23 cm axial distance of toilet bowls.)

Technical Drawing: pg 143



Concealed Cistern For Back To Wall WC

NLRT114001

- Compatible Standard
- EN 14055 CL1-7-NL II
- Discharge Volume 3/6 L
- Suitable For Back To Wall Installation

SPECIFICATIONS

Complete Preassembled In The Factory

Water Tank Capacity 10l Max

Tank Depth 80 Mm

Mechanical Dual Flush

Water Supply Connection Top Right G 1/2 Male

Acoustic Class (1st Class) En 14124 Inlet Valve

Water Flow Pressure 0.3 Mpa (3bar) / Max Vol: 9.0db,
Flow Rate: 9l/min

Impact Copolymer Special Pp Body (High Resistance To
Impact And Thermal Shock)

Styrofoam Insulation In The Front Of The Body For A Better
Acoustic Level And To Prevent Condensation

Technical Drawing: pg 144

NIAGARA FLUSH PLATE COLLECTION

Siena Dual Flush Control Plate

EX-228-001 - Matt Chrome

- Material: ABS Plastic
- Suitable For NIAGARA concealed NL-RT-61455
- Size: 227X165X13 mm
- *Technical Drawing: pg 144*

Other Finishes available:

- White [EX-228-003](#) | Bright Chrome [EX-228-002](#)
Matt Black [EX-228-017](#)



Mia Dual Flush Control Plate

EX-229-001 - Matt Chrome

- Material: ABS Plastic
- Suitable For NIAGARA concealed NL-RT-61455
- Size: 227X165X13 mm

Other Finishes available:

- White [EX-229-003](#) | Bright Chrome [EX-229-002](#)
Matt Black [EX-229-017](#)



Karina Dual Flush Control Plate

EX-226-001 - Matt Chrome

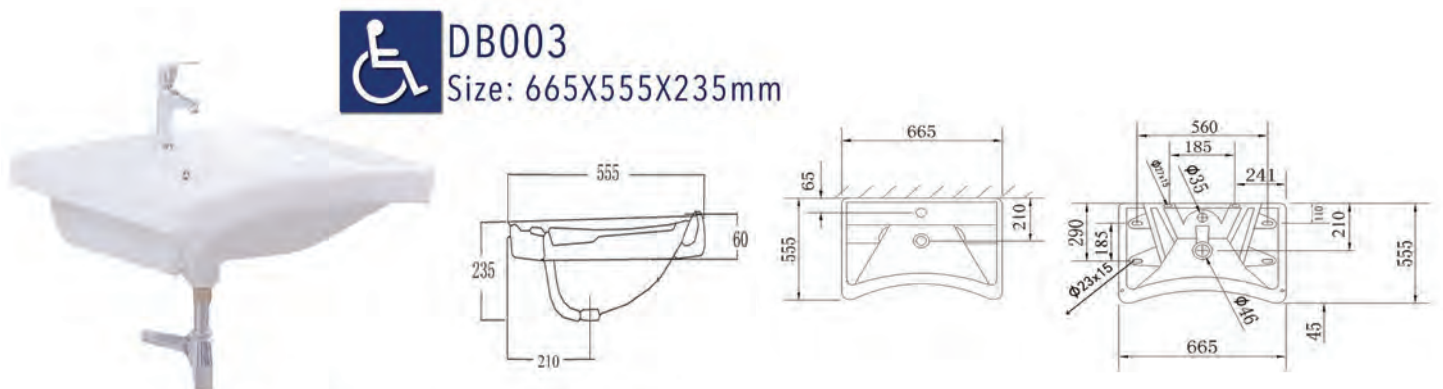
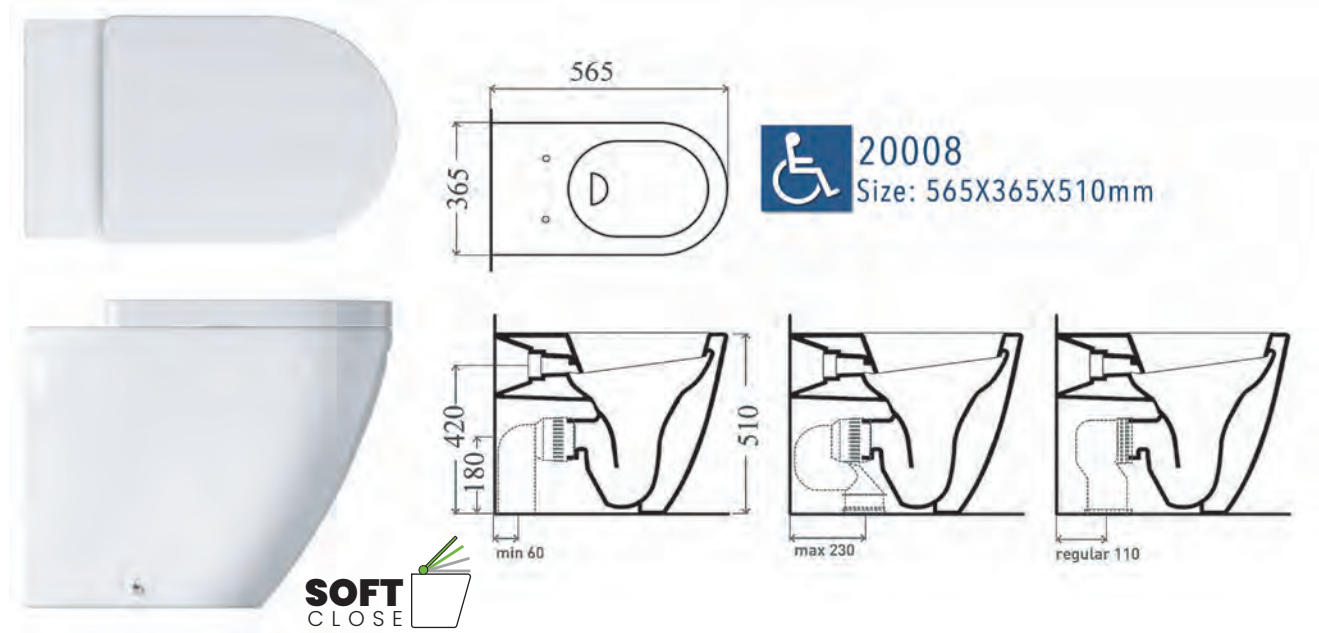
- Material: ABS Plastic
- Suitable For NIAGARA concealed NL-RT-61455
- Size: 227X165X13 mm

Other Finishes available:

- Bright Chrome [EX-226-002](#) | White [EX-226-003](#)
Matt Black [EX2260017](#)



NIAGARA PEOPLE OF DETERMINATION





NIAGARA
WASH BASIN



Project Plus Wash Basin

N3010

- Size: 555 X 435 X 835 mm
- Full Pedestal
- Floor Mounted

SPECIFICATIONS

Materials: Vitreous China

Finish Color: White

Technical Drawing: pg 145



Project Pro Wash Basin

N8007

- Size: 570 X 485 X 810mm
- Full Pedestal
- Floor Mounted

SPECIFICATIONS

Materials: Vitreous China

Finish Color: White

Technical Drawing: pg 145

Project Pro Wash Basin

N8007D

- Size: 560 X 465 X 500 mm
- Half Pedestal
- Wall Mounted

SPECIFICATIONS

Materials: Vitreous China

Finish Color: White

Technical Drawing: pg 145





Houston Wash Basin

NM33801 + NM33802

- Size: 61 X 46 X 87cm
- Full Pedestal
- Floor Mounted

SPECIFICATIONS

Materials: Vitreous China
Finish Color: White

New Jersey Wash Basin

NM9809001 + NM9809003

- Size: 55 X 44 X 83cm
- Full Pedestal
- Floor Mounted

SPECIFICATIONS

Materials: Vitreous China
Finish Color: White



Marina Wash Basin

NM32101 + NM32102

- Size: 61 X 46 X 87cm
- Full Pedestal
- Floor Mounted

SPECIFICATIONS

Materials: Vitreous China
Finish Color: White



NIAGARA
**EMMA PLUS
COLLECTION**



Emma Plus Over Counter Wash Basin

NL8002

- Size: 430 X 430 X 170 mm
- Mounting Type: Over Counter

SPECIFICATIONS

Materials: Vitreous China

Finish Color: White

Technical Drawing: pg 148



Emma Plus Over Counter Wash Basin

NL8017

- Size: 460 X 460 X 160 mm
- Mounting Type: Over Counter

SPECIFICATIONS

Materials: Vitreous China

Finish Color: White

Technical Drawing: pg 148





Emma Plus Over Counter Wash Basin

NL8017MATBLK

- 480 x 375 x 130mm
- Mounting Type: Over Counter

SPECIFICATIONS

Materials: Vitreous China

Finish Color: Matt Black

Emma Plus Over Counter Wash Basin

NL8025

- Size: 500 X 500 X 165 mm
- Mounting Type: Over Counter

SPECIFICATIONS

Materials: Vitreous China

Finish Color: White

Technical Drawing: pg 148



Emma Plus Over Counter Wash Basin

NL8108

- Size: 510 X 430 X 140 mm
- Mounting Type: Over Counter
- With One Tap Hole

SPECIFICATIONS

Materials: Vitreous China

Finish Color: White & Matt Black

Technical Drawing: pg 147



Emma Plus Over Counter Wash Basin

NL8117

- Size: 560 X 450 X 150 mm
- Mounting Type: Over Counter
- With One Tap Hole

SPECIFICATIONS

Materials: Vitreous China

Finish Color: White & Matt Black

Technical Drawing: pg 147



Emma Plus Over Counter Wash Basin

NL8072A

- Size 480 X 375 X 130 mm
- Mounting Type: Over Counter
- With One Tap Hole

SPECIFICATIONS

Materials: Vitreous China

Finish Color: White

Technical Drawing: pg 147

Emma Plus Over Counter Wash Basin

NL8072AMATBK

- Size 480 x 375 x 130 mm
- Mounting Type: Over Counter

SPECIFICATIONS

Materials: Vitreous China

Finish Color: Matt Black

Technical Drawing: pg 147





Emma Plus Semi Counter Wash Basin

NL4148B

- Size: 455 X 455 X 170 mm
- Mounting Type: Counter

SPECIFICATIONS

Materials: Vitreous China
Finish Color: White

Technical Drawing: pg 146

Emma Plus Semi Counter Wash Basin

NL4148C

- Size: 380 X 380 X 125 mm
- Mounting Type: Counter

SPECIFICATIONS

Materials: Vitreous China
Finish Color: White

Technical Drawing: pg 146



Emma Plus Semi Counter Wash Basin

NL4148BMATBK

- Size: 455 x 170 mm
- Mounting Type: Counter

SPECIFICATIONS

Materials: Vitreous China
Finish Color: Matt Black

Technical Drawing: pg 146



Emma Plus Under Counter Wash Basin

NL4289A

- Size: 550 X 410 X 170 mm
- Mounting Type: Under Counter

SPECIFICATIONS

Materials: Vitreous China

Finish Color: White

Technical Drawing: pg 149



Emma Plus Under Counter Wash Basin

NL1303-1

- Size: 593X 390 X 200 mm
- Mounting Type: Under Counter
- With One Tap Hole

SPECIFICATIONS

Materials: Vitreous China

Finish Color: White

Technical Drawing: pg 149

Emma Plus Under Counter Wash Basin

NLS008

- Size: 560 X 415 X 195 mm
- Mounting Type: Under Counter

SPECIFICATIONS

Materials: Vitreous China

Finish Color: White

Technical Drawing: pg 149



Emma Plus Under Counter Wash Basin

NL1303-3

- Size: 500 X 365 X 190 mm
- Mounting Type: Under Counter

SPECIFICATIONS

Materials: Vitreous China
Finish Color: White
Technical Drawing: pg 149



Emma Plus Under Counter Wash Basin

NL1303-2

- Size: 465X 345X 205 mm
- Mounting Type: Under Counter

SPECIFICATIONS

Materials: Vitreous China
Finish Color: White
Technical Drawing: pg 149

Emma Plus Counter Wash Basin

NL7222

- Size: 610 X 460 X 210 mm
- Mounting Type: Counter

SPECIFICATIONS

Materials: Vitreous China
Finish Color: White
Technical Drawing: pg 146



Emma Plus Counter Wash Basin

NL4565

- Size: 480 X 380 X 130 mm
- Mounting Type: Counter

SPECIFICATIONS

Materials: Vitreous China
Finish Color: White
Technical Drawing: pg 146



AERATORS AND SHATTAFS

Niagara Conservation combines the finest materials with unique design in order to fulfill our customers' demands.

Kitchen and bathroom aerators represent a significant portion of your home's water consumption. Niagara's high-efficient aerators cut water usage and reduce utility bills with patented pressure-compensating Equiforce™ Technology.

This technology helps you save thousands of liters of water a year without sacrificing pressure or performance. Equiforce Technology is built into each of our aerators to maintain a constant flow regardless of water pressure by regulating the amount of water that flows at higher pressures.



EQUIFORCE TECHNOLOGY™

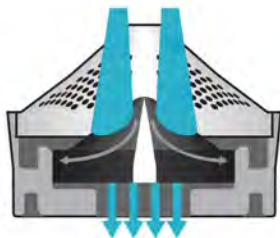
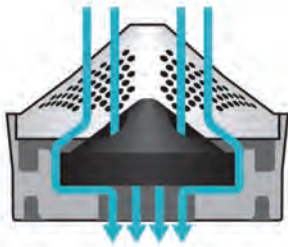
How It Works

Niagara's Equiforce™ Technology Is A Pressure-compensating Technology That Guarantees A Powerful, Consistent Water Output Regardless Of Pressure.



PRESSURE-COMPENSATING DESIGN

Niagara's patented pressure-compensating technology, Equiforce™, is built into each of our showerheads and aerators. It has revolutionized water flow by providing constant water output regardless of the available water pressure. The flow is maintained by a flexible plastic disc that regulates the amount of water that flows through the showerhead or aerator.



HOW IT WORKS

- At low pressure, water is allowed to flow through three holes in the center of the compensator around the scallop cutouts on the edges.
- As water pressure increases, the force presses down on the compensator, causing it to flex.
- As it flexes, the scalloped cuts seal off, allowing water to only flow through the center holes.
- As water pressure increases further, the compensator continues to flex and the shape of the holes distort, reducing the size of the openings. This further controls the amount of water that flows through them. The shape and hardness of the rubber helps maintain a level flow rate as the pressure increases.

Note: Items in this section without the Equiforce™ logo do not include this technology

Tri-Max™ Aerators

N3610CH 1.9 / 3.8 / 5.7 LPM Needle
 N3615CH 1.9 / 3.8 / 5.7 LPM Needle



N3610CH



N3610CH

- Stylish, modern housing constructed from ABS—a precision engineered thermoplastic.
- Dual thread connection has no visible threads. The non-stripping POM threading component comes with a special install key.

N3615CH

- Easy grip turn-dial
- Dual thread connection
- 5-year warranty against any manufacturing related defects.



N3615CH

MATERIALS

Body: N3610CH - ABS polyethylene
 N3615CH - Chrome-plated brass
 Internal Parts: Chrome-plated brass, ABS and POM plastics and high heat rubber gaskets and flow compensator.

CERTIFICATIONS

ASME A112.18.1
 CSA B125.1
 ANSI/NSF 61
 SASO Certified



Technical Drawing: pg 150

Dual Thread Aerator

N3205N-PC 1.9 LPM Needle (Not WaterSense Applicable)
 N3210N-PC 3.8 LPM Needle
 N3215N-PC 5.7 LPM Needle
 N3210B-PC 3.8 LPM Bubble
 N3104B-PC 5.7 LPM Bubble



- Aerator Provides A Splash-free, Aerated Stream
- Conical Shape Compensator Helps To Filter Debris And Mineral Build-up
- Dual-thread Brass Connection
- Bubble Spray Model Is Air-induced Providing A Full Stream
- 5-year Warranty Against Any Manufacturing Related Defects

MATERIALS

Body: Chrome-plated brass
 Internal Parts: High heat rubber gaskets and flow compensator

CERTIFICATIONS

ASME A112.18.1
 CSA B125.1
 ANSI/NSF 61
 WaterSense Certified



Needle Spray



Bubble Spray

SPECIFICATIONS

Application: Potable Water
 Packaging: 1000/carton, Individually bagged



*Technical Drawing: pg 150

Dual Spray Kitchen Aerator with Pause Valve

N3115V-FC 1.5 GPM (5.7 LPM)

- Patented Flow Compensator Gives Consistent Flow
- Regardless Of Pressure
- Pom Ball Joint With 360° Swivel
- Pause Action Reduces Flow To A Trickle While Keeping Temperature Consistent
- Control From Soft Spray To Solid Stream, With Up-and-down Action To Change Spray Settings
- Rubberized Grip For Easy Adjustment
- Saves 30% More Water And Energy Than A Standard Aerator
- Dual Threads For Easy Installation



CERTIFICATIONS

Meets or Exceeds: ASME A112.18.1 / CSA B125.1

Technical Drawing: pg 151

Dual Thread™ Fixed Mount Aerator

- N3601N** 1.0 GPM Chrome Needle
- N3601B** 1.0 GPM Chrome Bubble
- N3602N** 1.5 GPM Chrome Needle
- N3602B** 1.5 GPM Chrome Bubble

CERTIFICATIONS

ASME A112.18.1 / CSA B125.1
NSF/ANSI 61, Section 9
NSF/ANSI 372 (Low Lead Content)
Technical Drawing: pg 150

- Aerator Body Is Constructed Of ABS Plastic And Completely Lead Free For Safe Drinking Water
- Modern Design & Stylish Flared Body
- 1.0 GPM Is 54% More Efficient Than Standard Faucets
- Patented Equiforce™ Technology Guarantees A Consistent Flow Rate Across A Wide Range Of Pressure
- Dual-thread Connection With Special Install Key
- No Visible Threads
- Fits Most Male And Female Threaded Faucets
- 10 Year Warranty



Dual Spray Shower Flow Control (With Pause Valve)

- N3320** 7.6 LPM
- N3322** 8.5 LPM
- N3325** 9.5 LPM

Technical Drawing: pg 151



Tamperproof™ Fixed Mount Aerator

- N3205NMTP-PC-T*** 0.5 GPM Chrome Needle
- N3210NMTP-PC-T** 1.0 GPM Chrome Needle
- N3210BMTP-PC-T** 1.0 GPM Chrome Bubble
- N3215NMTP-PC-T** 1.5 GPM Chrome Needle

- Tamperproof Aerators For Commercial Applications - Ideal For Hotels And Other Commercial Uses
- Works Well In Kitchens And Baths
- Accessible With Special Key
- 0.5 Gpm Is 77% More Efficient Than Standard Faucets
- Patented Equiforce™ Technology Guarantees A Consistent Flow Rate Across A Wide Range Of Pressure
- Includes All Parts Necessary For Proper Installation And Operation
- Housing Constructed Of Solid, Low-lead Brass With High Polished Chrome Finish
- 10 Year Warranty

CERTIFICATIONS

ASME A112.18.1 / CSA B125.1
NSF/ANSI 61, Section 9
NSF/ANSI 372 (Low Lead Content)

Technical Drawing: pg 150



Tamperproof™ Fixed Mount Aerator

- N3205NFTP-PC-T*** 0.5 GPM Chrome Needle
- N3210NFTP-PC-T** 1.0 GPM Chrome Needle
- N3210BFTP-PC-T** 1.0 GPM Chrome Bubble
- N3215NFTP-PC-T** 1.5 GPM Chrome Needle

- Tamperproof aerators for commercial applications - ideal for hotels and other commercial uses
- Works well in kitchens and baths
- Accessible with special key
- 0.5 GPM is 77% more efficient than standard faucets
- Patented Equiforce™ Technology guarantees a consistent flow rate across a wide range of pressure
- Includes all parts necessary for proper installation and operation
- Housing constructed of solid, low-lead brass with high polished chrome finish
- 10 year warranty

CERTIFICATIONS

ASME A112.18.1 / CSA B125.1
NSF/ANSI 61, Section 9
NSF/ANSI 372 (Low Lead Content)

Technical Drawing: pg 151





PATENTED EQUIFORCE™ TECHNOLOGY

Guarantees a consistent flow rate
across a wide range of pressure

SUPER SHATTAF BY NIAGARA®

Niagara Super Shattaf, an innovative product from Niagara bathware collection, is ahead of its contemporaries and stands for 10 years. It comes with attachments and can be installed quickly without experts.

Niagara's patented pressure-compensating technology, Equiforce, is built into each of Shattaf which has revolutionized water flow by providing constant r output regardless of the available water pressure. The flow is maintained by a flexible plastic disc that regulates the amount of water that flows through the super shattaf.



Super Shattaf® Bidet Sprayer



- N2317 5.7 LPM Standard Super Shattaf
- N2317-TP 5.7 LPM Tamperproof Super Shattaf
- N2317-VB 5.7 LPM Vacuum Breaker for Shattaf Unit
- N2317CH 5.7 LPM Chrome Plated Super Shattaf
- N2317CH-TP 5.7 LPM Chrome Plated Tamperproof Super Shattaf

- Consists of spray body, body aerator, hose with bracket and all internal parts necessary for operation
- Sprayer maintains 690 kPa (100 psi) and functions at maximum working pressure of 860 kPa (125 psi)
- Handle has two settings: manual and full flow
- 5-year warranty against any manufacturing related defects
- Four (4) O-Rings prevent leakage

MEASUREMENTS

Hose: 120cm (47") Stainless steel wrapped PVC with chrome-plated brass end connectors
 Sprayer: 89mm (3.5") x 122mm (4.4") x 32mm (1.25")

CERTIFICATIONS

ASME A1182 Compliant
 CSA B125 Compliant

MATERIALS

Sprayer Body: ABS plastic - White Handle, Plunger
 Aerator: Chrome-plated brass
 Bracket: Chrome-plated durable ABS plastic with mounting screws and anchors
 Aerator Internal Parts: High-heat rubber gaskets

**Technical Drawing: pg 152*

MIDDLE EAST EXCLUSIVE



Shattaf

NT6116

- Flowing rate 5.5L/min
- ABS Shattaf
- ABS Wall Bracket
- 1.2m stainless steel double lock hose

SPECIFICATIONS

Materials: Chrome Body
 Packaging: Carton

**Technical Drawing: pg 151*



Shattaf

NT6117

- Flowing rate 5.5L/min
- ABS Shattaf
- ABS Wall Bracket
- 1.2m stainless steel double lock hose

SPECIFICATIONS

Materials: Chrome Body
 Packaging: Carton

**Technical Drawing: pg 151*



Shattaf

NT6118

- Flowing rate 5.5L/min
- ABS Shattaf
- ABS Wall Bracket
- 1.2m stainless steel double lock hose

SPECIFICATIONS

Materials: Chrome Body
 Packaging: Carton

**Technical Drawing: pg 152*



Shattaf

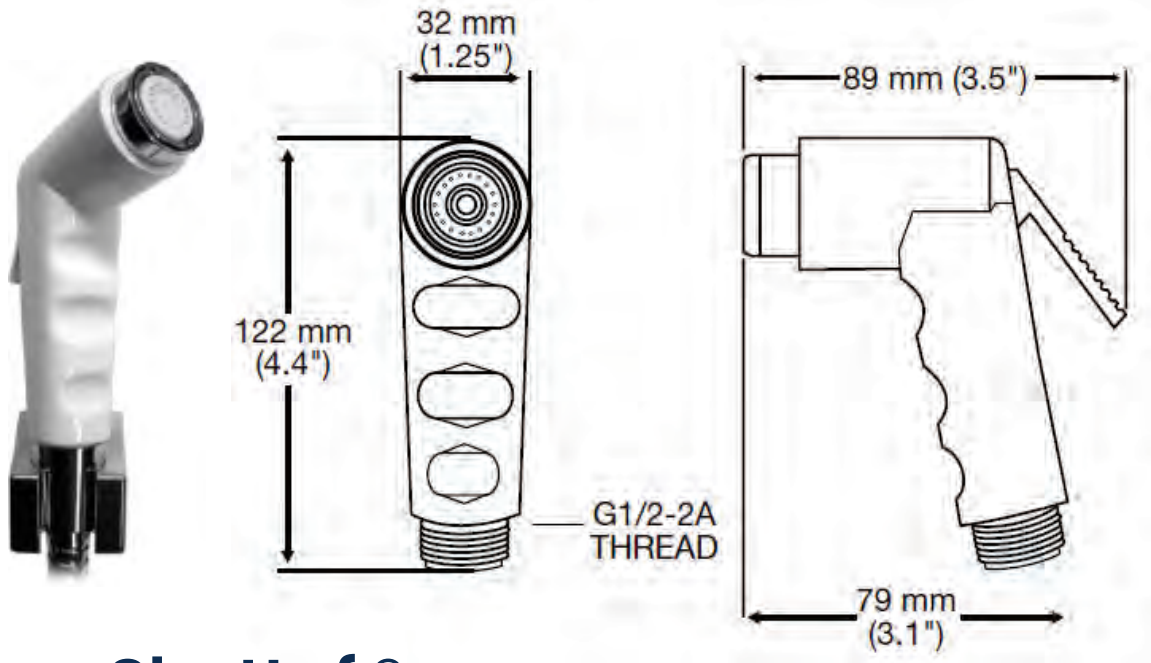
NL16105-N

- Flowing rate 5.5L/min
- ABS Shattaf
- ABS Wall Bracket
- 1.2m stainless steel double lock hose

SPECIFICATIONS

Materials: Chrome Body
 Packaging: Carton

**Technical Drawing: pg 152*



Super Shattaf® Bidet Sprayer 5.7 LPM (1.5 GPM)

N2317 White 5.7 LPM (1.5 GPM)

N2317-TP White 5.7 LPM (1.5 GPM) Tamperproof

FEATURES

5.7 LPM (1.5 GPM) Maximum Flow At Pressure Of 410 KPA (60 PSI)

Fully Tamperproof Option

Sprayer Maintains Pressure Of 690 KPA (100 PSI)

Functions At Maximum Working Pressure Of 860 Kpa (125 PSI)

Handle Has Two Settings: Manual And Full Flow

Pom Screen Design Is A Reinforced Cone Shape,

6 Mm Height, Able To Maintain Pressure Of 690 Kpa (100 PSI)

And Provide Improved Debris Dispersal

4-O Rings Prevent From Leakage.

Sprayer Body: ABS Plastic — White Color

Handle Threaded Inlet, Plunger, Aerator body: High Polished Chrome Plated (8H CASS) Brass

Internal parts: Brass, Stainless Steel, Spring Steel And High Heat Rubber O-Rings And Gasket

Hose: 120 cm (47") Stainless Steel Wrapped PVC Hose With High Polished Chrome Plated (8H CASS) Brass End Connectors

Bracket: Chrome Plated (8H CASS), Durable ABS Plastic With Mounting Screws And Anchors

Aerator Internal Parts: Acetal (POM), High Heat Rubber Gaskets & Flow Compensator

Needle Spray Pattern Consists Of (18) Holes Each 1 mm Diameter

Aerator Design Unit Functions Within Rated Supply Temperature From 5 To 71°C (40 to 160°F)

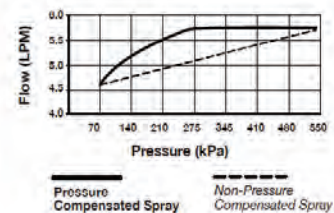
Vacuum Breaker Preventing From Water Back-Flow (OPTION)

Meets or Exceeds: ASME A112.18.1 / CSA B125.1; Chrome Plated Parts Meet

Performance Requirements For Corrosion Testing Per Standard ASTM B368



TAMPERPROOF
OPTION
AVAILABLE

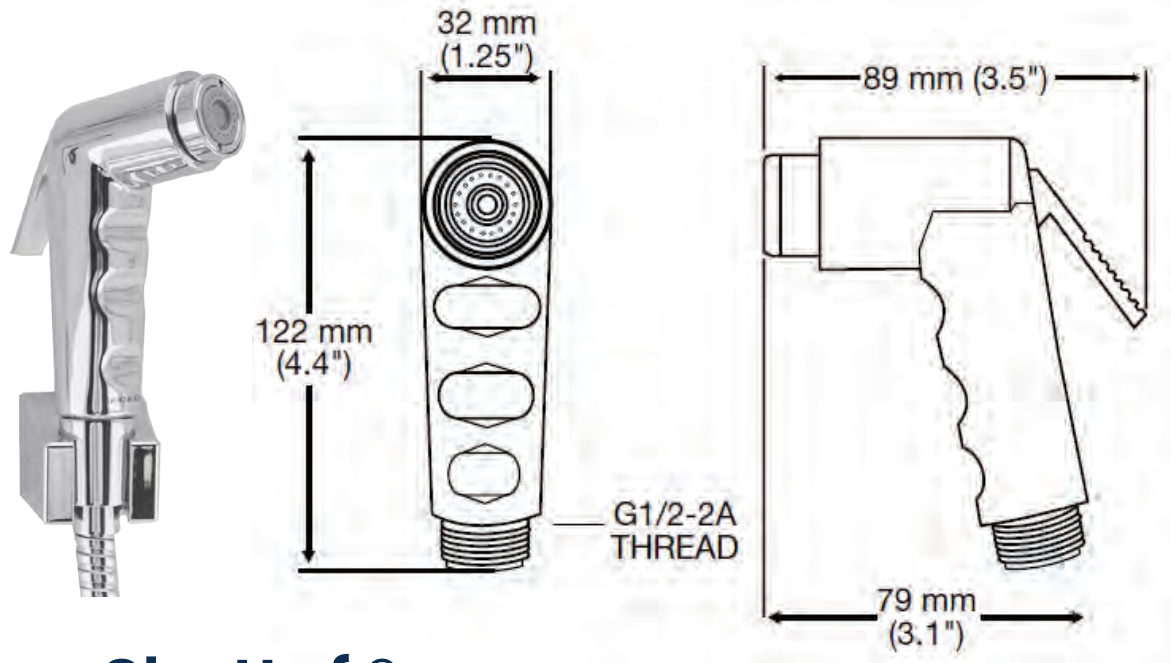


Assembly Details:

Consists Of Spray Body, With Standard Body Aerator, Hose W/bracket And All Internal Parts Necessary For Operation



*Technical Drawing: pg 152



Super Shattaf® Bidet Sprayer 5.7 LPM (1.5 GPM)

N2317CH

N2317CH-TP 5.7 LPM Chrome Plated
Tamperproof Super Shattaf

FEATURES

5.7 LPM (1.5 GPM) Maximum Flow At Pressure Of
410 KPA (60 PSI)

Fully Tamperproof Option

Sprayer Maintains Pressure Of 690 KPA (100 PSI)

Functions At Maximum Working Pressure Of 860 Kpa (125 PSI)

Handle Has Two Settings: Manual And Full Flow

Pom Screen Design Is A Reinforced Cone Shape,

6 Mm Height, Able To Maintain Pressure Of 690 Kpa (100 PSI)

And Provide Improved Debris Dispersal

4-O Rings Prevent From Leakage.

Sprayer Body: Chrome

Handle Threaded Inlet, Plunger, Aerator body: High Polished Chrome
Plated (8H CASS) Brass

Internal parts: Brass, Stainless Steel, Spring Steel And High Heat Rubber
O-Rings And Gasket

Hose: 120 cm (47") Stainless Steel Wrapped PVC Hose With High Polished
Chrome Plated (8H CASS) Brass End Connectors

Bracket: Chrome Plated (8H CASS), Durable ABS Plastic With Mounting
Screws And Anchors

Aerator Internal Parts: Acetal (POM), High Heat Rubber Gaskets & Flow
Compensator

Needle Spray Pattern Consists Of (18) Holes Each 1 mm Diameter

Aerator Design Unit Functions Within Rated Supply Temperature From 5 To
71°C (40 to 160°F)

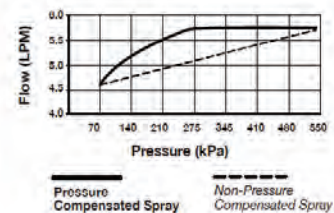
Vacuum Breaker Preventing From Water Back-Flow (OPTION)

Meets or Exceeds: ASME A112.18.1 / CSA B125.1; Chrome Plated Parts Meet

Performance Requirements For Corrosion Testing Per Standard ASTM B368



TAMPERPROOF
OPTION
AVAILABLE



Assembly Details:

Consists Of Spray Body,
With Standard Body
Aerator, Hose
W/bracket And All
Internal Parts Necessary
For Operation



*Technical Drawing: pg 152

NIAGARA FAUCETS AND Taps





NIAGARA
LIBERTY
COLLECTION



Liberty Wash Basin Faucet

With Pop-Up Waste
NM70005

- Single lever basin faucet
- Single hole installation
- Ceramic cartridge (Ø 35mm)
- Pop-up waste
- Flexible connection hose Water connection 1/2"

SPECIFICATIONS

Materials: Chrome Body

Packaging: Carton

Nozzle Height: 125mm Height: 120mm

*Technical Drawing: pg 153



Liberty Wash Basin Faucet

NM70005-SE 6.0 LPM

- Single Lever Basin Faucet
- Wall Mounted
- Flowing Rate 6l/min
- Ceramic Cartridge (Ø 35mm)
- Chrome Plated

SPECIFICATIONS

Chrome Plating in Accord to EN 50630-6
Cartridge in Accord to EN 817:2008
DN 10/PN 10 Chrome Plated Brass

**Technical Drawing: pg 154*

Liberty Bath & Shower Faucet

With Shower Kit
NM70055 9.5 LPM

- Single Lever Bathtub Faucet
- Flowing Rate 9.5l/min
- Ceramic Cartridge (Ø 35mm)
- Shower Outlet 1/2"
- Water Inlet 1/2"
- Automatic Diverter: Bath/Shower

SPECIFICATIONS

Materials: Chrome Body
Packaging: Carton

**Technical Drawing: pg 153*



Liberty Shower Faucet

NM70056

- Single Lever Shower Faucet
- Wall mounted
- Adjustable Flow Rate limiter
- Ceramic Cartridge (Ø 35mm)
- Shower Outlet 1/2"
- Water Inlet 1/2"

SPECIFICATIONS

Materials: Chrome Body
Packaging: Carton

**Technical Drawing: pg 154*



Liberty Concealed Shower Faucet

NM70001

- Single Lever Shower Faucet
- Wall Mounted
- Without Diverter
- Set For Complete Installation
- Metal Handle
- Flat Installation
- All Connections Are Indicated By Inlet/Outlet Markings

SPECIFICATIONS

Materials: Chrome Body

Packaging: Carton

**Technical Drawing: pg 155*



Liberty Concealed Shower Faucet

NM70000

- Single Lever Shower Faucet
- Wall Mounted
- With Diverter
- Set For Complete Installation
- Metal Handle
- Flat Installation
- All Connections Are Indicated By Inlet/Outlet Markings

SPECIFICATIONS

Materials: Chrome Body

Packaging: Carton

**Technical Drawing: pg 156*



Liberty Lateral Kitchen Faucet

NM70023 6.0 LPM

- Single lever kitchen faucet
- Single hole installation
- Ceramic cartridge (Ø 35mm)
- Swivel spout
- Metal handle
- Swivel area 140°
- Flexible connection hose
- Water connection 1/2"

SPECIFICATIONS

Materials: Chrome Body

Packaging: Carton

**Technical Drawing: pg 155*





NIAGARA
MANHATTAN
COLLECTION

Manhattan Wash Basin Faucet

With Pop-Up Waste
NM68005

- Single Lever Basin Faucet
- Single Hole Installation
- Ceramic Cartridge (Ø 40mm)
- Chrome Plated Brass
- Metal Handle
- Pop-up Waste
- Flexible Connection Hose
- Water Connection 1/2"

SPECIFICATIONS

Chrome Plating in Accord To EN 50630-6
Cartridge in Accord to EN 817:2008
DN 10/PN 10 Chrome Plated Brass
Packaging: Carton

**Technical Drawing: pg 156*





Manhattan Wash Basin Faucet

High Body Brass Wash Basin Faucet NM68005-H

- With European Type Big Pop-UP waste
- Flexible hose (SS304,Brass) 50cm
- High Quality Ceramic Cartridge (Guarantee 10years) 40mm

SPECIFICATIONS

Materials: Chrome Body

Packaging: Carton

Manhattan Bath & Shower Faucet

With Shower Kit NM68055

- Single Lever Bath Faucet
- Wall Mounted
- Adjustable Flow Rate Limiter
- Ceramic Cartridge (Ø 40mm)
- Shower Outlet 1/2"
- Automatic Diverter: Bath/Shower
- Water Inlet 1/2"

SPECIFICATIONS

Materials: Chrome Body

Packaging: Carton

**Technical Drawing: pg 157*



Manhattan Shower Faucet

NM68056

- Single Lever Shower Faucet
- Wall Mounted
- Shower Outlet 1/2"
- Ceramic Cartridge (Ø 40mm)
- Adjustable Flow Rate Limiter
- Without Duplex Shower Set
- Water Inlet 1/2"

SPECIFICATIONS

Materials: Chrome Body

Packaging: Carton



Manhattan Concealed Shower Faucet

NM68001

- Single Lever Shower Faucet
- Wall Mounted
- Without Diverter
- Set For Complete Installation
- Metal Handle
- Flat Installation
- All Connections Are Indicated By Inlet/outlet Markings

SPECIFICATIONS

Finish: Chrome Body

Packaging: Carton



Manhattan Concealed Shower Faucet

NM68000

- Single Lever Shower Faucet
- Wall Mounted
- With Diverter
- Set For Complete Installation
- Metal Handle
- Flat Installation
- All Connections Are Indicated By Inlet/outlet Markings

SPECIFICATIONS

Finish: Chrome Body

Packaging: Carton



**Technical Drawing: pg 157*

**Technical Drawing: pg 158*

Manhattan Shower Faucet

With Shower Kit and Rain Shower
NM68056-1 & 2

- Single Lever Shower Faucet
- Wall Mounted
- With Shower Set
- With 20 Cm Abs Rain Shower
- Adjustable Flow Rate Limiter
- Ceramic Cartridge (Ø 40mm)
- Shower Outlet 1/2"
- Automatic Diverter: Hand Shower/ Rain Shower
- Water Inlet 1/2"

SPECIFICATIONS

Materials: Chrome Body
Packaging: Carton

**Technical Drawing: pg 158*



Manhattan Lateral Kitchen Faucet

NM68023

- Single Lever Kitchen Faucet
- Single Hole Installation
- Ceramic Cartridge (Ø 40mm)
- Swivel Spout
- Metal Handle
- Swivel Area 140°
- Flexible Connection Hose
- Water Connection 1/2"

SPECIFICATIONS

Materials: Brass, Finish: Chrome Body
Packaging: Carton

**Technical Drawing: pg 159*



NIAGARA

DALLAS PLUS COLLECTION



Dallas Plus Wash Basin Faucet

NM30205-H

High Body Brass Wash Basin Faucet

- Tall Single lever basin faucet
- Single hole installation
- Ceramic cartridge (Ø 35mm)
- Chrome plated brass, Metal handle
- Pop-up waste, Flexible connection hose
- Water connection 1/2"

SPECIFICATIONS

Materials: Chrome Body Height: 265mm

Packaging: Carton

*Technical Drawing: pg 160

Dallas Plus Wash Basin Faucet

With Pop-Up Waste

NM30205

- Single Lever Basin Faucet
- Single Hole Installation
- Ceramic Cartridge (Ø 35mm)
- Chrome Plated Brass
- Metal Handle, Pop-up Waste
- Flexible Connection Hose, Water Connection 1/2"

SPECIFICATIONS

Materials: Chrome Body Height: 149.5mm

Packaging: Carton

*Technical Drawing: pg 159





Dallas Plus Sensor Wash Basin Faucet

NL36038

- Sensor Basin Faucet
- Flowing Rate 6l/min
- Chrome Plated

SPECIFICATIONS

Chrome Plating in Accord To EN 50630-6
Cartridge in Accord to EN 817!2008
DN 10/PN 10 Chrome Plated Brass
Packaging: Carton

**Technical Drawing: pg 160*

Dallas Plus Wash Basin Faucet

With Pop-Up Waste
NM30205-SE

- Single Lever Basin Faucet
- Flowing Rate 6l/min
- Ceramic Cartridge (Ø 35mm)
- Chrome Plated
- With Pop-up Waste

SPECIFICATIONS

Chrome Plating in Accord To EN 50630-6
Cartridge in Accord to EN 817!2008
DN 10/PN 10 Chrome Plated Brass
Packaging: Carton

**Technical Drawing: pg 161*



Dallas Plus Bath & Shower Faucet

With Shower Kit
NM30255

- Single Lever Bathtub Faucet
- Wall Mounted
- Ceramic Cartridge (Ø 35mm)
- Chrome Plated

SPECIFICATIONS

Chrome Plating in Accord To EN 50630-6
Cartridge in Accord to EN 817!2008
DN 10/PN 10 Chrome Plated Brass
Packaging: Carton

**Technical Drawing: pg 160*



Dallas Plus Shower Faucet

NM30256

- Single Lever Shower Faucet
- Wall Mounted
- Shower Outlet 1/2"
- Ceramic Cartridge (Ø 35mm)
- Adjustable Flow Rate Limiter
- Flat Wall Installation
- Water Inlet 1/2"

SPECIFICATIONS

Chrome Plating in Accord To EN 50630-6
Cartridge in Accord to EN 817!2008
DN 10/PN 10 Chrome Plated Brass
Packaging: Carton

**Technical Drawing: pg 161*



Dallas Plus Concealed Shower Faucet

NM 30201

- Single Lever Shower Faucet
- Wall Mounted
- Without Diverter
- Set For Complete Installation
- Metal Handle
- Flat Installation
- All Connections Are Indicated By Inlet/outlet Markings

SPECIFICATIONS

Chrome Plating in Accord To EN 50630-6
Cartridge in Accord to EN 817!2008
DN 10/PN 10 Chrome Plated Brass
Packaging: Carton

**Technical Drawing: pg 162*





Dallas Plus Concealed Shower Faucet

NM30200

- Single Lever Shower Faucet
- Wall Mounted
- With Diverter
- All Connections Are Indicated By Inlet/outlet Markings
- Flat Installation
- Metal Handle
- Set For Complete Installation

SPECIFICATIONS

Chrome Plating in Accord To EN 50630-6
Cartridge in Accord to EN 817!2008
DN 10/PN 10 Chrome Plated Brass
Packaging: Carton

**Technical Drawing: pg 162*

Dallas Plus Lateral Kitchen Faucet

NM30223

- Single Lever Kitchen Faucet
- Single Hole Installation
- Ceramic Cartridge (Ø 35mm)
- Swivel Spout
- Metal Handle
- Swivel Area 140°
- Flexible Connection Hose

SPECIFICATIONS

Chrome Plating in Accord To EN 50630-6
Cartridge in Accord to EN 817!2008
DN 10/PN 10 Chrome Plated Brass
Packaging: Carton

**Technical Drawing: pg 163*





NIAGARA
MIAMI
COLLECTION



Miami Wash Basin Faucet

With Pop-Up Waste
NM69005

- Single Lever Basin Faucet
- Single hole installation
- Ceramic Cartridge (Ø 40mm)
- Chrome Plated Brass
- Metal handle
- Pop-up waste
- Flexible connection hose
- Water connection 1/2"

SPECIFICATIONS

Chrome Plating in Accord To EN 50630-6
Cartridge in Accord to EN 817!2008
DN 10/PN 10 Chrome Plated Brass
Packaging: Carton

**Technical Drawing: pg 163*



Miami Bath & Shower Faucet

With Shower Kit NM69055

- Single Lever Bath Faucet
- Wall Mounted
- Water Inlet 1/2"
- Automatic Diverter: Bath/shower
- Shower Outlet 1/2"
- Ceramic Cartridge (Ø 40mm)
- Adjustable Flow Rate Limiter

SPECIFICATIONS

Chrome Plating in Accord To EN 50630-6
 Cartridge in Accord to EN 817!2008
 DN 10/PN 10 Chrome Plated Brass
 Packaging: Carton

**Technical Drawing: pg 164*

Miami Wall Mounted Shower Faucet

NM69056

- Single Lever Shower Faucet
- Wall Mounted
- Without Duplex Shower Set
- Ceramic Cartridge (Ø 40mm)
- Shower Outlet 1/2"
- Water Inlet 1/2"

SPECIFICATIONS

Chrome Plating in Accord To EN 50630-6
 Cartridge in Accord to EN 817!2008
 DN 10/PN 10 Chrome Plated Brass
 Packaging: Carton





Miami Concealed Shower Faucet

NM69001

- Single Lever Shower Faucet
- Wall Mounted
- Without Diverter
- Set For Complete Installation
- Metal Handle
- Flat Installation
- All Connections Are Indicated By Inlet/outlet Markings

SPECIFICATIONS

Chrome Plating in Accord To EN 50630-6
 Cartridge in Accord to EN 817!2008
 DN 10/PN 10 Chrome Plated Brass
 Packaging: Cartonn

**Technical Drawing: pg 164*

Miami Concealed Shower Faucet

NM69000

- Single Lever Shower Faucet
- Wall Mounted
- With Diverter
- Set For Complete Installation
- Metal Handle
- All Connections Are Indicated By Inlet/outlet Markings

SPECIFICATIONS

Chrome Plating in Accord To EN 50630-6
 Cartridge in Accord to EN 817!2008
 DN 10/PN 10 Chrome Plated Brass
 Packaging: Carton

**Technical Drawing: pg 165*



Miami Kitchen Lateral Faucet

NM69023

- Single Lever Kitchen Faucet
- Water Connection 1/2"
- Flexible Connection Hose
- Swivel Area 140°
- Metal Handle
- Swivel Spout
- Ceramic Cartridge (Ø 40mm)
- Single Hole Installation

SPECIFICATIONS

Chrome Plating in Accord To EN 50630-6
 Cartridge in Accord to EN 817!2008
 DN 10/PN 10 Chrome Plated Brass
 Packaging: Carton

**Technical Drawing: pg 165*







NIAGARA
**GOLDEN GATE
COLLECTION**



Golden Gate Wash Basin Faucet

With Pop-Up Waste
NM61005

- Single Lever Basin Faucet
- Single Hole Installation
- Ceramic Cartridge (Ø 35mm)
- Chrome Plated Brass
- Metal Handle
- Automatic Pop-up Waste
- Flexible Connection Hose
- Water Connection 1/2"

SPECIFICATIONS

Chrome Plating in Accord To EN 50630-6
Cartridge in Accord to EN 817!2008
DN 10/PN 10 Chrome Plated Brass
Packaging: Carton

**Technical Drawing: pg 166*

Golden Gate Bidet Faucet

With Pop-Up Waste
NM61006

- Single Lever Bidet Faucet
- Single Hole Installation
- Ceramic Cartridge (Ø 35mm)
- Swivel Adapter
- Metal Handle
- Automatic Pop-up Waste
- Flexible Connection Hose
- Water Connection 1/2"

SPECIFICATIONS

Chrome Plating in Accord To EN 50630-6
Cartridge in Accord to EN 817!2008
DN 10/PN 10 Chrome Plated Brass
Packaging: Carton
Height: 88.5mm Body Height: 143mm
**Technical Drawing: pg 166*



Golden Gate Bath & Shower Faucet

NM61056

- Single lever bath faucet
- Wall mounted
- Flat wall installation
- Adjustable flow rate limiter
- Ceramic cartridge (Ø 35mm)
- Shower outlet 1/2"
- Water inlet 1/2"

SPECIFICATIONS

Chrome Plating in Accord To EN 50630-6
Cartridge in Accord to EN 817!2008
DN 10/PN 10 Chrome Plated Brass
Packaging: Carton
**Technical Drawing: pg 167*



Golden Gate Bath & Shower Faucet

NM61055
With Shower Set

- Single Lever Bath Faucet
- Wall Mounted
- Flat Wall Installation
- Adjustable Flow Rate Limiter
- Ceramic Cartridge (Ø 35mm)
- Shower Outlet 1/2"
- Automatic Diverter: Bath/shower
- Water Inlet 1/2"

SPECIFICATIONS

Chrome Plating in Accord To EN 50630-6
Cartridge in Accord to EN 817!2008
DN 10/PN 10 Chrome Plated Brass
Packaging: Carton
**Technical Drawing: pg 167*



Golden Gate Concealed Shower Faucet

NM61001

- Single Lever Shower Faucet
- Wall Mounted
- Without Diverter
- Set For Complete Installation
- Metal Handle
- Flat Installation
- All Connections Are Indicated By Inlet/outlet Markings

SPECIFICATIONS

Chrome Plating in Accord To EN 50630-6
Cartridge in Accord to EN 817!2008
DN 10/PN 10 Chrome Plated Brass
Packaging: Carton

**Technical Drawing: pg 166*



Golden Gate Concealed Shower Faucet

NM61000

- Single Lever Shower Faucet
- Wall Mounted
- With Diverter
- Set For Complete Installation
- Metal Handle
- Flat Installation
- All Connections Are Indicated By Inlet/outlet Markings

SPECIFICATIONS

Chrome Plating in Accord To EN 50630-6
Cartridge in Accord to EN 817!2008
DN 10/PN 10 Chrome Plated Brass
Packaging: Carton



Golden Gate Wall Mounted Kitchen Faucet

NM61024

- Single Lever Kitchen Faucet
- Wall Mounted
- Ceramic Cartridge (Ø 35mm)
- Swivel Spout
- Metal Handle
- Swivel Area 140°
- Flexible Connection Hose
- Water Connection 1/2"

SPECIFICATIONS

Chrome Plating in Accord To EN 50630-6
Cartridge in Accord to EN 817!2008
DN 10/PN 10 Chrome Plated Brass
Packaging: Carton
Spout Reach: 200mm
Packaging: Carton

**Technical Drawing: pg 168*



Golden Gate Lateral Kitchen Faucet

NM61023

- Single Lever Kitchen Faucet
- Single Hole Installation
- Ceramic Cartridge (Ø 35mm)
- Swivel Spout
- Metal Handle
- Swivel Area 140°
- Flexible Connection Hose
- Water Connection 1/2"

SPECIFICATIONS

Chrome Plating in Accord To EN 50630-6
Cartridge in Accord to EN 817!2008
DN 10/PN 10 Chrome Plated Brass
Packaging: Carton
Height: 360 mm
Nozzle Height: 260mm
Spout Reach: 180mm

**Technical Drawing: pg 168*





NIAGARA
PROJECT PLUS
COLLECTION

Project Plus Washbasin Faucet

With Pop-Up Waste
NM67005

- Flexible Connection Hose
- Pop-up Waste
- Metal Handle
- Chrome Plated Brass
- Ceramic Cartridge (Ø 40mm)
- Single Hole Installation
- Single Lever Basin Faucet
- Water Connection 1/2"

SPECIFICATIONS

Materials: Brass, Finish: Chrome Body
Packaging: Carton
Height: 96mm

**Technical Drawing: pg 169*





Project Plus Bath & Shower Faucet

With Shower Kit

NM67055

- Single Lever Bathtub Faucet
- Flowing Rate 9.5l/min
- Ceramic Cartridge (Ø 40mm)
- Chrome Plated

SPECIFICATIONS

Materials: Chrome Body

Packaging: Carton

*Technical Drawing: pg 170

Project Plus Wall Mounted Shower Faucet

NM67056

- Shower Outlet 1/2"
- Ceramic Cartridge (Ø 40mm)
- Adjustable Flow Rate Limiter
- Flat Wall Installation
- Wall Mounted
- Single Lever Bath Faucet
- Water Inlet 1/2"

SPECIFICATIONS

Materials: Chrome Body

Packaging: Carton

*Technical Drawing: pg 169



Project Plus Lateral Kitchen Faucet

NM67023

- Single Lever Kitchen Faucet
- Single Hole Installation
- Ceramic Cartridge (Ø 40mm)
- Swivel Spout
- Metal Handle
- Swivel Area 140°
- Flexible Connection Hose
- Water connection 1/2"

SPECIFICATIONS

Materials: Chrome Body

Packaging: Carton

*Technical Drawing: pg 170



NIAGARA
**STREET PLUS
SPECIAL
COLLECTION**



Street Plus Special Washbasin Faucet

With Pop-Up Waste
NM52005

- Single Lever Basin Faucet
- Pop-up Waste
- Metal Handle
- Chrome Plated Brass
- Ceramic Cartridge (Ø 35mm)
- Single Hole Installation
- Flexible Connection Hose
- Water Connection 1/2"

SPECIFICATIONS

Materials: Brass, Finish: Chrome Body
Height: 134.5mm
Packaging: Carton

**Technical Drawing: pg 171*

Street Plus Special Wall-Mounted Shower Faucet

NM52056-CPL

- Single Lever Shower Faucet
- With Sliding Shower Set
- Water Inlet 1/2"
- Shower Outlet 1/2"
- Ceramic Cartridge (Ø 35mm)
- Adjustable Flow Rate Limiter
- Flat Wall Installation
- Wall Mounted

SPECIFICATIONS

Materials: Brass
Finish: Chrome
Packaging: Carton

**Technical Drawing: pg 171*



Street Plus Special Kitchen Faucet

NM52023

- Water connection 1/2"
- Flexible connection hose
- Swivel area 140°
- Metal handle
- Swivel spout
- Ceramic cartridge (Ø 35mm)
- Single hole installation
- Single lever kitchen faucet

SPECIFICATIONS

Materials: Brass
Finish: Chrome
Packaging: Carton
Height: 397mm Nozzle
Height: 283 mm
Spout Reach: 215mm

**Technical Drawing: pg 171*



SHOWER HEADS, RAIN SHOWERS, AND SLIDING RAILS

Showerheads represent another significant portion of your home's water consumption. Niagara's high-efficient showerheads cut water usage and reduce utility bills with patented pressure-compensating Equiforce™ Technology.

This technology helps you save thousands of gallons of water a year without sacrificing pressure or performance. Equiforce Technology is built into each of our showerheads to maintain a constant flow regardless of water pressure by regulating the amount of water that flows at higher pressures.

Niagara's showerheads are the ultimate high-efficiency product. Unique designs coupled with Equiforce Technology allows for a more enjoyable shower. Enjoy a shower longer without the guilt of wasting as much water as a traditional showerhead.



Note: Items in this section without the Equiforce™ logo do not include this technology



Earth® Fixed Mount Showerhead

N2920 7.6 LPM White

N2920CH 7.6 LPM Chrome

N2920CH-TP-ME 7.6 LPM Chrome Tamperproof

N2915 5.7 LPM 5.7 LPM White

N2920-V 7.6 LPM 7.6 LPM with Soap and Soak Valve, White

- Three Spray Settings: 9-jet Power Spray, Shower & Combo
- Symmetrical Conical Pattern Water Flow With Large Spray Diameter
- Large Pom Swivel Adjustment
- Easy Installation Without Tools
- Corrosion-resistant, High-impact Abs Thermoplastic Body Is Maintenance-free
- 5-year Warranty Against Any Manufacturing Related Defects



Earth With Soap
And Soak Valve

White Finish

CERTIFICATIONS

ASME A112.18.1

CSA B125.1

WaterSense Certified

SASO Water Efficiency Labeled Product



MATERIALS

Body: Chrome-plated Or
White Color Abs Plastic

Internal Parts: Chromeplated Brass

Ball Joint, Abs Plastic & High Heat Rubber

Gaskets And Pressure
Compensator

**Technical Drawing: pg 172*

Earth® Handheld Showerhead

N2935-ME 7.6 LPM White

N2935CH-ME 7.6 LPM Chrome

N2945CH-ME 5.7 LPM Chrome

- Three Spray Settings: 9-jet Power Spray, Shower & Combo
- Symmetrical Conical Pattern Water Flow With Large Spray Diameter
- Includes 183.9cm (72 Inch) Tangle-free, High-quality, Stainless Steel Hose And Mounting Bracket
- Corrosion-resistant, High-impact Abs Thermoplastic Body Is Maintenance-free
- A Non-aerated Spray Means Less Temperature Loss With Maximum Energy Savings
- 5-year Warranty Against Any Manufacturing Related Defects
- Wall-mounted Bracket Included
- Turns Freely When Connected



Hose Assembly

MATERIALS

Body: Chrome-plated Or
White Color Abs Plastic
Internal Parts: Chromeplated Brass
Ball Joint, Abs Plastic & High Heat Rubber
Gaskets And Pressure
Compensator

CERTIFICATIONS

ASME A112.18.1
CSA B125.1
WaterSense Certified
SASO Water Efficiency
Labeled Product



*Technical Drawing: pg 172

Vara Spa™ Fixed Mount Showerhead

N9620CH-ME 7.6 LPM Chrome

- Five (5) Spray Patterns: Full, Pulse, Center, Full+pulse, Full+center
- Rubberized, Easy-clean Nozzles
- Turns Freely When Connected
- 5-year Warranty Against Any Manufacturing Related Defects

MATERIALS

Body: Chrome-plated Abs Plastic
Internal Parts: Chromeplated Brass Ball Joint, Abs
Plastic & High Heat Rubber
Gaskets And Pressure
Compensator



CERTIFICATIONS

ASME A112.18.1
CSA B125.1
WaterSense Certified



*Technical Drawing: Pg 172



VARA SPA™ HANDHELD SHOWERHEAD

N9620CH-HH 7.6 LPM Chrome

- Five (5) Spray Patterns: Full, Pulse, Center, Full+pulse, Full+center
- Rubberized, Easy-clean Nozzles
- Turns Freely When Connected
- 5-year Warranty Against Any Manufacturing Related Defects

MATERIALS

Body: Chrome-plated ABS plastic
Hose: Stainless steel-wrapped PVC
Connectors: Chrome-plated brass

**Technical Drawing: pg 173*

CERTIFICATIONS

ASME A112.18.1
CSA B125.1
WaterSense Certified



Vara Spa™ Combo Showerhead

N9720CH-HH 7.6 LPM Chrome

- Five (5) spray patterns: Full, Pulse, Center, Full+Pulse, Full+Center
- Rubberized, easy-clean nozzles
- Wall-mounted bracket included
- Turns freely when connected
- Easily changes from handheld to fixed mount or use both
- 5-year warranty against any manufacturing related defects

SPECIFICATIONS

Body: Chrome-plated Abs Plastic
Hose: Stainless Steel-wrapped PVC
Connectors: Chrome-plated Brass

**Technical Drawing: Pg 173*

CERTIFICATIONS

ASME A112.18.1
CSA B125.1
CASS B368
WaterSense Certified





Healthguard™ Fixed Mount Showerhead

N9917CH-ME 6.6 LPM Chrome

- 113cm Faceplate
- Rubber Nozzles For Easy Cleaning
- Fixed Mount: Plastic Ball Joint
- Removable Faceplate Technology
- All Chrome

SPECIFICATIONS

Body: Chrome-plated ABS plastic

**Technical Drawing: pg 174*

Healthguard™ Handheld Showerhead

With Wall-Mounted Bracket

N9917CH-HH-ME 6.6 LPM Chrome

- All Chrome Faceplate: 110mm With Faceplate Removable Technology
- 183cm Sus201 Electrolytic Hose And Nuts
- Rubber Nozzles
- Swivel Free Feature And Back Flow Preventer
- Fixed Mount With Brass Ball Joint

SPECIFICATIONS

Body: Chrome-plated Abs Plastic
Hose: Stainless Steel-wrapped Pvc

**Technical Drawing: Pg 174*



EQUIFORCE™



HEALTHGUARD™



Healthguard™ Shower/ Fixed Mount Combo

With 3-Way Diverter

N9917CH-CB-ME 6.6 LPM Chrome

- 183cm SUS201 Electrolytic Hose And Nuts
- All Chrome Faceplate W0604 110mm, V0604113mm With Faceplate Removable Technolog
- Rubber Nozzles
- Swivel Free Feature And Back Flow Preventer
- Fixed Mount With Brass Ball Joint

SPECIFICATIONS

Body: Chrome-Plated ABS Plastic

Hose: Stainless Steel-Wrapped PVC

**Technical Drawing: pg 174*

8" Rain Shower

V0200 6.6 LPM

- 200mm Faceplate
- Powerful Spray Provides More Water At Low Pressure
- Wide, Full-body Spray Pattern Provides Soothing Rain Shower Experience
- Plastic Ball Joint

SPECIFICATIONS

Materials: Chrome Back, Gray faceplate

Packaging: Carton

**Technical Drawing: pg 175*



Rain Shower

NT7121 6.5 LPM Other Options Available

- 200 Mm Faceplate
- Wide, Full-body Spray Pattern Provides Soothing Rain Shower Experience
- Brass Ball Joint
- Also Available In The Following Flow Rates: 9.5 Lpm, 8.5 Lpm, 7.6 Lpm

SPECIFICATIONS

Materials: ABS
Finish: Chrome
Packaging: Carton

**Technical Drawing: pg 175*



8" Rain Shower

NT7116 6.5 LPM Other Options Available

- 200 Mm Faceplate
- Wide, Full-body Spray Pattern Provides Soothing Rain Shower Experience
- Brass Ball Joint
- Also Available In The Following Flow Rates: 9.5 Lpm, 8.5 Lpm, 7.6 Lpm

SPECIFICATIONS

Materials: Chrome Back, Gray faceplate
Packaging: Carton

**Technical Drawing: pg 175*



1 Function Hand Shower

With Wall-Mounted Bracket

NT700 6.6 LPM

- Rubber Nozzles
- Only Hand Shower Without Hose And Bracket

SPECIFICATIONS

Materials: Chrome Body
Packaging: Carton

**Technical Drawing: pg 176*



1 Function Hand Shower

NT7119 6.6 LPM

- Rubber Nozzles
- Only Hand Shower Without Hose And Bracket

SPECIFICATIONS

Materials: Chrome Body

Packaging: Carton

*Technical Drawing: pg 176



1 Function Hand Shower

NT7120 6.6 LPM

- Rubber Nozzles
- Only Hand Shower Without Hose & Bracket

SPECIFICATIONS

Materials: Chrome Body

Packaging: Carton

*Technical Drawing: pg 176

3 Function Hand Shower

NT7115 6.6 LPM

- Grey Faceplate: 96mm
- Rubber Nozzles
- Only Hand Shower Without Hose And Bracket

SPECIFICATIONS

Materials: Chrome Body

Packaging: Carton

*Technical Drawing: pg 177



3 Function Hand Shower

NT7118 6.6 LPM

- Rubber Nozzles
- Only Hand Shower Without Hose & Bracket

SPECIFICATIONS

Materials: Chrome Body

Packaging: Carton

*Technical Drawing: pg 177



3 Function Hand Shower

With Wall-Mounted Bracket

W0701 6.6 LPM

- Grey Faceplate: 96mm
- Without Hose And Nuts
- Rubber Nozzles

SPECIFICATIONS

Materials: Chrome Body

Packaging: Carton

*Technical Drawing: pg 178

5 Function Hand Shower

With 3-Flow Rate Selector And Wall-Mounted Bracket

W0800 6.6 LPM

- Grey Faceplate: 96mm
- Without Hose And Nuts
- Rubber Nozzle

SPECIFICATIONS

Materials: Chrome Body

Packaging: Carton

*Technical Drawing: pg 178



5 Function Hand Shower

With 3-Flow Rate Selector And Wall-Mounted Bracket

W0400 6.6 LPM

- Without Hose And Nuts
- Rubber Nozzles
- Fixed Mount With Brass Ball Joint

SPECIFICATIONS

Materials: Chrome Body

Packaging: Carton

*Technical Drawing: pg 178





3 Function Shower set

NT7162

- 3 Function hand shower
- Adjustable Wall Bracket

SPECIFICATIONS

PVC Silver Hose 1.75M

Colorful Box with Transparent Window

**Technical Drawing: pg 177*

5 Function Shower set

NT7161

- 5 Function Hand Shower
- Adjustable Wall Bracket

SPECIFICATIONS

PVC Silver Hose 1.75M

Colorful Box With Transparent Window

**Technical Drawing: pg 177*



Shower Elbow

NT7171

SPECIFICATIONS

Round Elbow, Square Type For

Concealed Mixer - Brass With Chrome Plating



Shower Elbow

NT7172

SPECIFICATIONS

Shower Elbow, Square Type For

Concealed Mixer - Brass With Chrome Plating





6" Shower Arm

N3162

- Wall Fixing

SPECIFICATIONS

Brass Body

Materials: Brass, Finish: Chrome Plated

**Technical Drawing: pg 180*

Shower Arm

NT7122

- Wall Fixing

SPECIFICATIONS

Materials: Brass, Finish: Chrome Plated

Packaging: Carton

**Technical Drawing: pg 179*



Shower Arm

NT7123

- Size: $\varnothing 20\text{mm}$
- Wall Fixing

SPECIFICATIONS

Materials: Brass

Finish: Chrome Plated

**Technical Drawing: pg 179*



Shower Arm

NT7124

- Wall Fixing

SPECIFICATIONS

Materials: Brass

Finish: Chrome Plated

Packaging: Carton

**Technical Drawing: pg 179*



Shower Arm

NT7125

- Wall Fixing

SPECIFICATIONS

Material: SS304
Finish: Chrome Plate
Packaging: Carton

**Technical Drawing: pg 180*



Shower Arm

NT7136

- Ceiling Fixing

SPECIFICATIONS

Material: Brass
Length: 50cm
Finish: Chrome Plating

Shower Arm

NT7133

- Ceiling Fixing

SPECIFICATIONS

Material: Brass
Length: 50cm
Finish: Chrome Plating





PVC Shining Silver Hose

With Two Ends 360° Swivel
NT7305

SPECIFICATIONS

Length: 1.5M

PVC Shining Silver Hose

With Two Ends 360° Swivel
NT7305-175

SPECIFICATIONS

Length: 1.75M



Shower Hose

With One End 360° Swivel
NT7302-175

SPECIFICATIONS

Length: 1.75M
Material: SS304
Finish: Chrome



Shower Hose

With One End 360° Swivel
NT7302

SPECIFICATIONS

Length: 1.5M
Material: SS304
Finish: Chrome



Sliding Shower Rail

NT7126 600mm Height

- 25mm Diameter
- Stainless Steel; Chrome Plated
- Wall Bracket & Shower Holder Material: ABS, Chrome Plated
- The Holder Of Hand Shower Can Slide Up And Down With A 360° Swivel
- With Soap Dish
- Length 60cm

**Technical Drawing: pg 181*



Sliding Shower Rail

NT7127 600mm Height

- 25mm Diameter
- Stainless Steel; Chrome Plated
- Wall Bracket & Shower Holder Material: ABS, Chrome Plated
- The Holder Of Hand Shower Can Slide Up And Down With A 360° Swivel
- With Soap Dish
- Length 60cm

**Technical Drawing: pg 181*



Sliding Shower Rail

NT7128 600mm Height

- 25mm Diameter
- Stainless Steel; Chrome Plated
- Wall Bracket & Shower Holder Material: ABS, Chrome Plated
- The Holder Of Hand Shower Can Slide Up And Down With A 360° Swivel
- Length 60cm

**Technical Drawing: pg 181*



Shower Wall Bracket

NT7114

- Wall Fixing

SPECIFICATIONS

Material: ABS

**Technical Drawing: pg 181*





NIAGARA
MIDDLE EAST
ACCESSORIES
LIBERTY COLLECTION



Liberty Single Robe Hook Garment Hanger

NE6402

- Single Robe Hook
- Wall Fixing
- Includes Fixing Set

SPECIFICATIONS

Materials: Brass
Finish: Chrome
Packaging: Carton

**Technical Drawing: pg 182*

Liberty Round Glass Soap Dish



NE6403

- Glass Soap Dish
- Wall Mounted
- Includes Fixing Set

SPECIFICATIONS

Materials: Brass
Finish: Chrome
Packaging: Carton

**Technical Drawing: pg 182*

Liberty Glass Toothbrush Holder

NE6404

- Glass Cup
- Wall Fixing
- Includes Fixing Set

SPECIFICATIONS

Materials: Brass
Finish: Chrome
Packaging: Carton

**Technical Drawing: pg 182*



Liberty Chrome Plated Towel Bar

NE6405

- Size: 600mm (23.6")
- Wall Fixing
- Includes Fixing Set

SPECIFICATIONS

Materials: Brass
Finish: Chrome
Packaging: Carton

**Technical Drawing: pg 183*





Liberty Toilet Tissue Holder

Without Chrome Cover
NE6407

- Wall Fixing
- Includes Fixing set

SPECIFICATIONS

Materials: Brass
Finish: Chrome
Packaging: Carton

**Technical Drawing: pg 183*

Liberty Chrome-Slotted Soap Basket

NE6410

- Wall Fixing
- Includes Fixing Set

SPECIFICATIONS

Materials: Brass
Finish: Chrome
Packaging: Carton

**Technical Drawing: pg 183*







NIAGARA
MANHATTAN
COLLECTION

Manhattan Chrome Double Robe Hook Garment Hanger

NE6301

- Double Robe Hook
- Wall Fixing
- Includes Fixing Set

SPECIFICATIONS

Materials: Brass
Finish: Chrome
Packaging: Carton

**Technical Drawing: pg 184*





Manhattan Round Glass Soap Dish

NE6303

- Glass Soap Dish
- Wall Mounted
- Includes Mounting Set

SPECIFICATIONS

Materials: Brass

Finish: Chrome

Packaging: Carton

**Technical Drawing: pg 184*

Manhattan Glass Toothbrush Holder

NE6304

- Glass Cup
- Wall Fixing
- Includes Fixing Set

SPECIFICATIONS

Materials: Brass

Finish: Chrome

Packaging: Carton

**Technical Drawing: pg 184*



Manhattan Chrome Plated Towel Bar

NE6305

- Size: 600mm (23.6")
- Wall Fixing
- Includes Fixing Set

SPECIFICATIONS

Materials: Brass

Finish: Chrome

Packaging: Carton

**Technical Drawing: pg 185*



Manhattan Chrome-Slotted Soap Basket

NE6310

- Wall Fixing
- Includes Fixing Set

SPECIFICATIONS

Materials: Brass
Finish: Chrome
Packaging: Carton

**Technical Drawing: pg 186*



Manhattan Toilet Tissue Holder

NE6307

- Without Lid
- Wall Fixing
- Includes Fixing Set

SPECIFICATIONS

Materials: Brass
Finish: Chrome
Packaging: Carton

**Technical Drawing: pg 185*

Manhattan Towel Ring

NE6312

- Wall Fixing
- Includes Fixing Set

SPECIFICATIONS

Materials: Brass
Finish: Chrome
Packaging: Carton

**Technical Drawing: pg 185*







NIAGARA
DALLAS
COLLECTION



Dallas Double Robe Hook Garment Hanger

NE6701

- Double Robe Hook
- Wall Fixing
- Includes Fixing Set

SPECIFICATIONS

Materials: Zinc
Finish: Chrome
Packaging: Carton

**Technical Drawing: pg 186*



Dallas Round Glass Soap Dish

NE6703

- Glass Soap Dish
- Wall Mounted
- Includes Mounting Set

SPECIFICATIONS

Materials: Zinc
Finish: Chrome
Packaging: Carton

**Technical Drawing: pg 186*

Dallas Glass Toothbrush Holder

NE6704

- Glass Cup
- Wall Fixing
- Includes Fixing Set

SPECIFICATIONS

Materials: Zinc
Finish: Chrome
Packaging: Carton

**Technical Drawing: pg 187*



Dallas Towel Bar

NE6705

- Size: 600mm (23.6")
- Wall Fixing
- Includes Fixing Set

SPECIFICATIONS

Materials: Zinc
Finish: Chrome
Packaging: Carton

**Technical Drawing: pg 187*





Dallas Toilet Tissue Holder

With Chrome Cover

NE6708

- With Cover
- Wall Fixing
- Includes Fixing Set

SPECIFICATIONS

Materials: Zinc

Finish: Chrome

Packaging: Carton

**Technical Drawing: pg 188*

Dallas Towel Ring

NE6712

- Wall Fixing
- Includes Fixing Set

SPECIFICATIONS

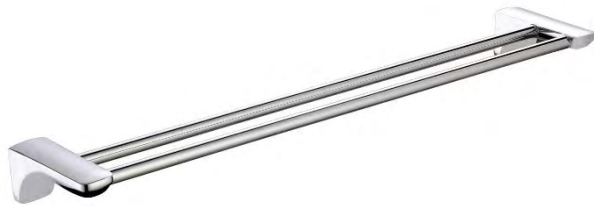
Materials: Zinc

Finish: Chrome

Packaging: Carton

**Technical Drawing: pg 187*





Dallas Double Towel Bar

NE6705-2

- Size: 600mm (23.6")
- Wall Fixing
- Includes Fixing Set

SPECIFICATIONS

Materials: Zinc

Finish: Chrome

Packaging: Carton

**Technical Drawing: pg 188*

Dallas Bathroom Accessories 6PCS

NE6700-6pcs

- Bathroom Accessories 6PCS
- Set of Series NE6600 Series





NIAGARA
MIAMI
COLLECTION



Miami Double Robe Hook Garment Hanger

NE6801

- Double Robe Hook
- Wall Fixing
- Includes Fixing Set

SPECIFICATIONS

Materials: SS 304

Finish: Brushed

Packaging: Carton

**Technical Drawing: pg 189*



Miami Round Glass Soap Dish

NE6803

- Glass Soap Dish
- Wall Fixing
- Includes Fixing Set

SPECIFICATIONS

Materials: SS 304

Finish: Brushed

Packaging: Carton

**Technical Drawing: pg 189*

Miami Glass Toothbrush Holder

NE6804

- Size: 600mm (23.6")
- Wall Fixing
- Includes Fixing Set

SPECIFICATIONS

Materials: SS 304

Finish: Brushed

Packaging: Carton

**Technical Drawing: pg 189*



Miami Towel Bar

NE6805

- Size: 600mm (23.6")
- Wall Fixing
- Includes Fixing Set

SPECIFICATIONS

Materials: SS 304

Finish: Brushed

Packaging: Carton

**Technical Drawing: pg 190*



Miami Toilet Tissue Holder

NE6808

With Chrome Cover

- Size: 600mm (23.6")
- Wall Fixing
- Includes Fixing Set

SPECIFICATIONS

Materials: SS 304

Finish: Brushed

Packaging: Carton

**Technical Drawing: pg 190*



Miami Towel Ring

NE6812

- Wall Fixing
- Includes Fixing Set

SPECIFICATIONS

Materials: SS 304

Finish: Brushed

Packaging: Carton

**Technical Drawing: pg 190*







NIAGARA
MIAMI PLUS
COLLECTION

Miami Plus Single Robe Hook Garment Hanger

NE6902

- Single Robe Hook
- Wall Fixing
- Includes Fixing Set

SPECIFICATIONS

Materials: SS 304
Finish: Brushed
Packaging: Carton

**Technical Drawing: pg 191*





Miami Plus Round Glass Soap Dish

NE6903

- Glass Soap Dish
- Wall Fixing
- Includes Fixing Set

SPECIFICATIONS

Materials: SS 304
Finish: Brushed
Packaging: Carton

**Technical Drawing: pg 191*

Miami Plus Glass Toothbrush Holder

NE6904

- Glass Cup
- Wall Fixing
- Includes Fixing Set

SPECIFICATIONS

Materials: SS 304
Finish: Brushed
Packaging: Carton

**Technical Drawing: pg 191*



Miami Plus Towel Bar

NE6905

- Size: 600mm (23.6")
- Wall Fixing
- Includes Fixing Set

SPECIFICATIONS

Materials: SS 304
Finish: Brushed
Packaging: Carton

**Technical Drawing: pg 192*





Miami Plus Toilet Tissue Holder

With Chrome Cover
NE6908

- Glass Soap Dish
- Wall Fixing
- Includes Fixing Set

SPECIFICATIONS

Materials: SS 304
Finish: Brushed
Packaging: Carton

**Technical Drawing: pg 192*

Miami Plus Towel Ring

NE6912

- Wall Fixing
- Includes Fixing Set

SPECIFICATIONS

Materials: SS 304
Finish: Brushed
Packaging: Carton

**Technical Drawing: pg 192*







NIAGARA
**GOLDEN GATE
COLLECTION**

Golden Gate Dual Robe Hook Garment Hanger

NE6101

- Double Robe Hook
- Wall Fixing
- Includes Fixing Set

SPECIFICATIONS

Materials: Brass

Finish: Chrome

Packaging: Carton

**Technical Drawing: pg 193*





Golden Gate Round Glass Soap Dish

NE6103

- Glass Soap Dish
- Wall Fixing
- Includes Fixing Set

SPECIFICATIONS

Materials: Brass

Finish: Chrome

Packaging: Carton

**Technical Drawing: pg 193*

Golden Gate Glass Toothbrush Holder

NE6104

- Size: 600mm
- Wall Fixing
- Includes Fixing Set

SPECIFICATIONS

Materials: Brass

Finish: Chrome

Packaging: Carton

**Technical Drawing: pg 193*



Golden Gate Towel Bar

NE6105

- Size: 600mm
- Wall Fixing
- Includes Fixing Set

SPECIFICATIONS

Materials: Brass

Finish: Chrome

Packaging: Carton

**Technical Drawing: pg 194*



Golden Gate Towel Bar

NE6105-1

- Size: 450mm (17.7")
- Wall Fixing
- Includes Fixing Set

SPECIFICATIONS

Materials: Brass
Finish: Chrome
Packaging: Carton

**Technical Drawing: pg 194*



Golden Gate Toilet Paper Roll Holder

NE6108

- Size: 600mm (23.6")
- Wall Fixing
- Includes Fixing Set

SPECIFICATIONS

Materials: Brass
Finish: Chrome
Packaging: Carton

**Technical Drawing: pg 194*



Golden Gate Round Hand Towel Holder

NE6112

- Wall fixing
- Includes fixing set

SPECIFICATIONS

Materials: Brass
Finish: Chrome
Packaging: Carton

**Technical Drawing: pg 195*



Golden Gate Toilet Tissue Holder

Without Cover
NE6107

- Wall Fixing
- Includes Fixing Set

SPECIFICATIONS

Materials: Brass
Finish: Chrome
Packaging: Carton

**Technical Drawing: pg 195*

Golden Gate Chrome Double Toilet Tissue Holder

NE6118

- Double Roll Holder
- Wall Fixing
- Includes Fixing Set

SPECIFICATIONS

Materials: Brass
Finish: Chrome
Packaging: Carton

**Technical Drawing: pg 196*



Golden Gate Horizontal Grab Bar

NE6125

- Size: 210mm (8.27")
- Wall Fixing
- Includes Fixing Set

SPECIFICATIONS

Materials: Brass
Finish: Chrome
Packaging: Carton

**Technical Drawing: pg 196*





Golden Gate Vertical Toilet Tissue Holder

NE6106

- Wall Fixing
- Includes Fixing Set

SPECIFICATIONS

Materials: Brass
Finish: Chrome
Packaging: Carton

**Technical Drawing: pg 196*

Golden Gate Towel Shelf

With Towel Bar

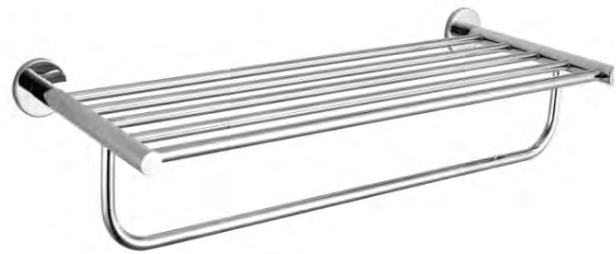
NE6113

- Metal Shelf & Bar
- Wall Fixing
- Includes Fixing Set

SPECIFICATIONS

Materials: Brass
Finish: Chrome
Packaging: Carton

**Technical Drawing: pg 197*



Golden Gate Toilet Brush Holder

NE6109

- Wall Fixing
- Includes Fixing Set

SPECIFICATIONS

Materials: Brass
Finish: Chrome
Packaging: Carton

**Technical Drawing: pg 197*





Golden Gate Glass Soap Dispenser

NE6115

- Glass Soap Dispenser
- Wall Fixing
- Includes Fixing Set

SPECIFICATIONS

Materials: Brass

Finish: Chrome

Packaging: Carton

**Technical Drawing: pg 197*

Golden Gate Chrome Slotted Soap Basket

NE6110

- Metal Soap Dish
- Wall Fixing
- Includes Fixing Set

SPECIFICATIONS

Materials: Brass

Finish: Chrome

Packaging: Carton

**Technical Drawing: pg 198*





Golden Gate Chrome Sponge/Soap Basket

Without Base

NE6111

- Metal Sponge/Soap Basket
- Wall Fixing
- Includes Fixing Set

SPECIFICATIONS

Materials: Brass

Finish: Chrome

Packaging: Carton

**Technical Drawing: pg 198*

Golden Gate Chrome Sponge/Soap Basket

Without Base

NE6114

- Metal Sponge/Soap Basket
- Wall Fixing
- Includes Fixing Set

SPECIFICATIONS

Materials: Brass

Finish: Chrome

Packaging: Carton

**Technical Drawing: pg 198*







NIAGARA
SANTA MONICA
COLLECTION



Santa Monica Single Robe Hook Garment Hanger

NE6202

- Single Robe Hook
- Wall Fixing
- Includes Fixing Set

SPECIFICATIONS

Materials: Brass
Finish: Chrome
Packaging: Carton

**Technical Drawing: pg 199*

Santa Monica Round Glass Soap Dish



NE6203

- Glass Soap Dish
- Wall Fixing
- Includes Fixing Set

SPECIFICATIONS

Materials: Brass

Finish: Chrome

Packaging: Carton

**Technical Drawing: pg 199*

Santa Monica Glass Toothbrush Holder

NE6204

- Glass Cup
- Wall Fixing
- Includes Fixing Set

SPECIFICATIONS

Materials: Brass

Finish: Chrome

Packaging: Carton

**Technical Drawing: pg 199*



Santa Monica Towel Bar

NE6205

- Size: 600mm (23.6")
- Wall Fixing
- Includes Fixing Set

SPECIFICATIONS

Materials: Brass

Finish: Chrome

Packaging: Carton

**Technical Drawing: pg 200*





Santa Monica Toilet Tissue Holder

NE6207

- Without cover
- Wall Fixing
- Includes Fixing set

SPECIFICATIONS

Materials: Brass

Finish: Chrome

Packaging: Carton

**Technical Drawing: pg 200*

Santa Monica Chrome Slotted Soap Dish

NE6210

- Wall Fixing
- Includes Fixing Set

SPECIFICATIONS

Materials: Brass

Finish: Chrome

Packaging: Carton

**Technical Drawing: pg 200*







NIAGARA
FLORIDA
COLLECTION



Florida Single Robe Hook Garment Hanger

NE6602

- Single Robe Hook
- Wall Fixing
- Includes Fixing Set

SPECIFICATIONS

Materials: Zinc

Finish: Chrome

Packaging: Carton

**Technical Drawing: pg 201*

Florida Round Glass Soap Dish



NE6603

- Glass Soap Dish
- Wall Mounted
- Includes Mounting Set

SPECIFICATIONS

Materials: Zinc
Finish: Chrome
Packaging: Carton

**Technical Drawing: pg 201*

Florida Glass Toothbrush Holder

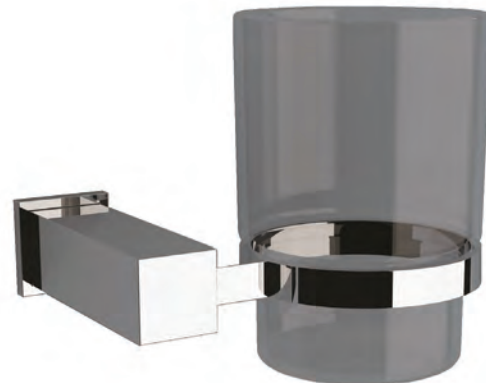
NE6604

- Glass Cup
- Wall Fixing
- Includes Fixing Set

SPECIFICATIONS

Materials: Zinc
Finish: Chrome
Packaging: Carton

**Technical Drawing: pg 201*



Florida Towel Bar

NE6605

- Size: 600mm (23.6")
- Wall Fixing
- Includes Fixing Set

SPECIFICATIONS

Materials: Zinc
Finish: Chrome
Packaging: Carton

**Technical Drawing: pg 202*





Florida Toilet Tissue Holder

With Chrome Cover
NE6608

- Wall Fixing
- Includes Fixing Set

SPECIFICATIONS

Materials: Zinc
Finish: Chrome
Packaging: Carton

**Technical Drawing: pg 202*

Florida Towel Ring

NE6612

- Wall Fixing
- Includes Fixing Set

SPECIFICATIONS

Materials: Zinc
Finish: Chrome
Packaging: Carton

**Technical Drawing: pg 202*



Florida Bathroom Accessories 6PCS

NE6600-6pcs

- Bathroom Accessories 6PCS
- Set of Series NE6600 Series





NIAGARA
HUSTON
COLLECTION



Huston Dual Robe Hook Garment Hanger

NE6501

- Double Robe Hook
- Wall Fixing
- Includes Fixing Set

SPECIFICATIONS

Materials: Zinc

Finish: Chrome

Packaging: Carton

**Technical Drawing: pg 203*

Huston Round Glass Soap Dish



NE6503

- Glass Soap Dish
- Wall Fixing
- Includes Fixing Set

SPECIFICATIONS

Materials: Zinc
Finish: Chrome
Packaging: Carton

**Technical Drawing: pg 203*

Huston Glass Toothbrush Holder

NE6504

- Glass Cup
- Wall Fixing
- Includes Fixing Set

SPECIFICATIONS

Materials: Zinc
Finish: Chrome
Packaging: Carton

**Technical Drawing: pg 203*



Huston Towel Bar

NE6505

- Size: 600mm (23.6")
- Wall Fixing
- Includes Fixing Set

SPECIFICATIONS

Materials: Zinc
Finish: Chrome
Packaging: Carton

**Technical Drawing: pg 204*





Huston Toilet Tissue Holder

With Chrome Cover
NE6507

- With Cover
- Wall Fixing
- Includes Fixing Set

SPECIFICATIONS

Materials: Zinc
Finish: Chrome
Packaging: Carton

**Technical Drawing: pg 204*

Huston Hand Towel Ring

NE6512

- Wall Fixing
- Includes Fixing Set

SPECIFICATIONS

Materials: Zinc
Finish: Chrome
Packaging: Carton

**Technical Drawing: pg 204*



Huston Bathroom Accessories 6PCS

NE6500-6pcs

- Bathroom Accessories 6PCS
- Set of Series NE6500 Series



NIAGARA
PLUMBING
FIXTURES
AND PUBLIC
AREAS



Tamperproof Super Faucet



N3421-ME

- Single Operating Valve Control For Use With One Hand
- Needle Spray Consists of (18) Holes Each 0.9 – 1.0 Mm
- Water Flow Is A Symmetrical, Conical Pattern
- Tamperproof Aerator Body Is Only Accessible With Special Key. (Also Available With Standard Dual Threads Aerator)
- Consists Of Faucet Body, Tamperproof Handle, And All Internal Parts Necessary For Operation & Tamperproof Aerator
- 5-year Warranty Against Any Manufacturing Related Defects

**Technical Drawing: pg 205*

P-Trap

N2387

- Maximum Operating Pressure: 860 Kpa (125psi)
- Rated Temperature: 5 To 71°C (40 To 160°F)
- 5-year Warranty Against Manufacturing-related Defects

SPECIFICATIONS

Material: SUS 304
Finish: Chrome-Plated

**Technical Drawing: pg 205*



Bottle Trap

N2386

- Maximum Operating Pressure: 860 kPa (125psi)
- Rated Temperature: 5 to 71°C (40 to 160°F)
- 5-Year Warranty Against Manufacturing-Related Defect

SPECIFICATIONS

Material: SUS 304
Finish: Chrome-Plated Brass or Chrome-Plated SS

**Technical Drawing: pg 205*



PVC Body Bottle-trap.

NBT01

- Standard 1¼" PVC Body Bottle-trap.



Wash Machine Bibcock

N3323

- Size: 1/2"x1/2"

SPECIFICATIONS

Material: Brass

Finish: Nickel

Packaging: Carton

**Technical Drawing: pg 206*

Sensor Hand Dryer

NS76005

- Mounting: Wall Mounted
- Air Flow: 130 M³/H [76.5 CFM]
- Drying Time: 10 to 12 Seconds
- Sensor Range: 5 - 15 CM
- Protection Level: IP23
- Electrical Isolation: CLASS I
- Noise Level [at 1 M]: 74 dB
- Cover Material: Stainless Steel 304
- Voltage (-1): 110 V - 120 V 60 Hz, 8.3 A, 1000 W
- Voltage (-2): 220 V - 240 V 50/60 Hz, 4.3 A, 1000 W
- Air Temperature: 40 0C [104 F]
(Room Temp.=250C [77 F])
- Air Velocity: 100 M/S [328 FT/S] / 360 KM/H [224 MPH]

**Technical Drawing: pg 206*



Paper Dispenser

NS83008

- Wall Mounted Paper Dispenser
- Size 300 X 750 X 140 Mm

SPECIFICATIONS

Material: SS304 / Satin Finish

**Technical Drawing: pg 206*



Round Waste Bin 5L

NS13005-3 Size: 3 Liters

NS13005-8 Size: 8 Liters

NS13005-12 Size: 12 Liters

NS13005-20 Size: 20 Liters

NS13005-30 Size: 30 Liters

- Pedal Waste Bin

SPECIFICATIONS

Material: Stainless Steel / Matt Finish

**Technical Drawing: pg 207*

Waste Bin 30L

NS79007

- With Plastic Inner Bucket
- Size 354 X 182 X 513 Mm

SPECIFICATIONS

Material: SS304 / Matt Finish

**Technical Drawing: pg 207*



Straight Grab Bar

NS10019-60

- Size 60 cm
- Dia 32 mm
- Thickness 1.2 mm

SPECIFICATIONS

Material: SS304 / Satin Finish

NS-10019-70 Size: 70 cm

NS-10019-90 Size: 90 cm

**Technical Drawing: pg 207*



Folding Up Grab Bar

NS35007

- Size 60 cm
- Dia 32 mm
- Thickness 1.2 mm

SPECIFICATIONS

Material: SS304 / Satin Finish

**Technical Drawing: pg 208*



Grab Bar Right Handed

NS21006

- Height 668 X Width 568 mm
- Dia 32 mm
- Thickness 1.2 mm

SPECIFICATIONS

Material: SS304 / Matt Finish

**Technical Drawing: pg 208*

Baby Changing Station

HH12408

- Size Open 855 X 585 X 495 mm
- Size Closed 855 X 585 X 107 mm

SPECIFICATIONS

Material: High Quality HDPE
Color: Cream White

**Technical Drawing: pg 208*



Stop Valve

NSV34

- 1/2" x 1/2"
- With S.S. 304 Rosette

SPECIFICATIONS

Material: Brass
Finish: Chrome Plating

**Technical Drawing: pg 209*



Angle Valve

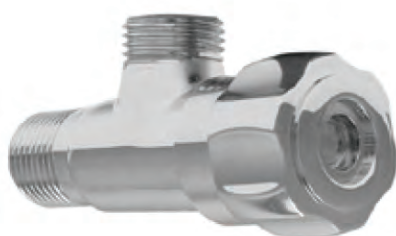
NLBS23005

- 1/2" x 1/2"
- With S.S. 304 Rosette

SPECIFICATIONS

Material: Brass
Finish: Chrome Plating

**Technical Drawing: pg 209*



Angle Valve

N2384

- Toilet And Shattaf Angle Valve

**Technical Drawing: pg 209*



Toilet & Shattaf Angle Valve

NT6126

- Inlet And Outlet Diameter 1/2" x 1/2"
- Materials: SS 304 Body, Chrome Plated

SPECIFICATIONS

Material: S.S.304

Q.T. Angle Valve

NE6118

- With S.S. 304 Rosette
- 1/2" x 1/2"

SPECIFICATIONS

Material: S.S.304

Finish: Mirror Finish

Material Thickness: 1.7mm



Floor Drain

NL-75005

- Size 15X15

SPECIFICATIONS

Material: SS 304

Finish: Brushed

**Technical Drawing: pg 210*

Floor Drain

N6124S | NL-19009

- Size 15X15

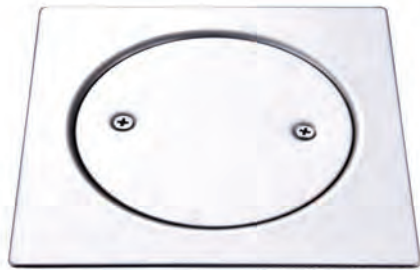
SPECIFICATIONS

Material: S.S.304

Finish: Mirror Finish

Material Thickness: 1.7mm

**Technical Drawing: pg 210*



Floor Drain

N6125

- Size 15X15cm

SPECIFICATIONS

Material: S.S.304

Finish: Mirror Finish

Material Thickness: 1.7mm

**Technical Drawing: pg 210*

Floor Drain

N6126

- Size 10X10cm

SPECIFICATIONS

Material: S.S.304

Finish: Mirror Finish

Material Thickness: 1.7mm

**Technical Drawing: pg 210*

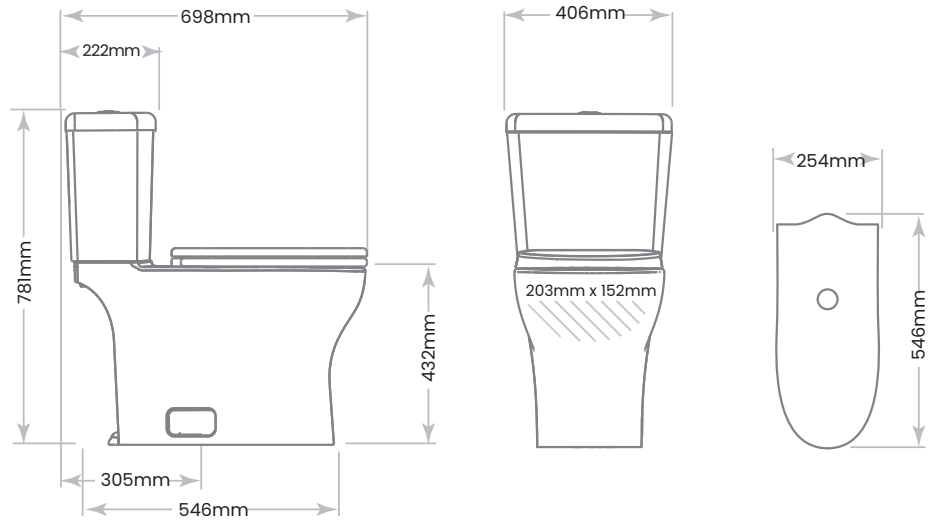


A background image showing a technical drawing or blueprint on a light-colored surface. The drawing includes various lines, curves, and a grid pattern. A pen or pencil is visible in the upper right corner, resting on the paper. The overall scene is slightly blurred, suggesting a focus on the technical nature of the content.

TECHNICAL INFORMATION

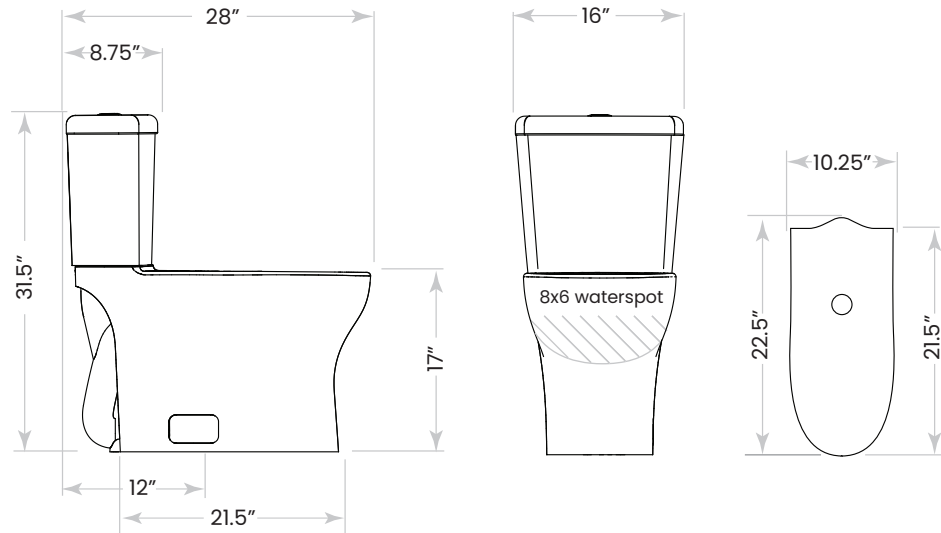
N7747-TME + N7747T-TME

Elongated Bowl with 12" Rough-In

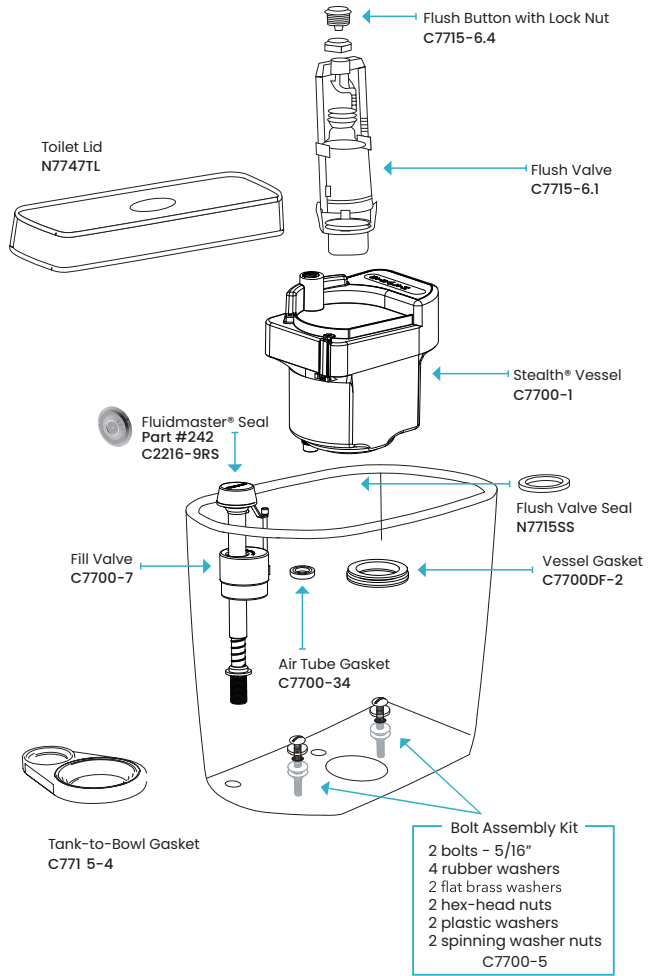


N7747T-TME + N7747EB-TME

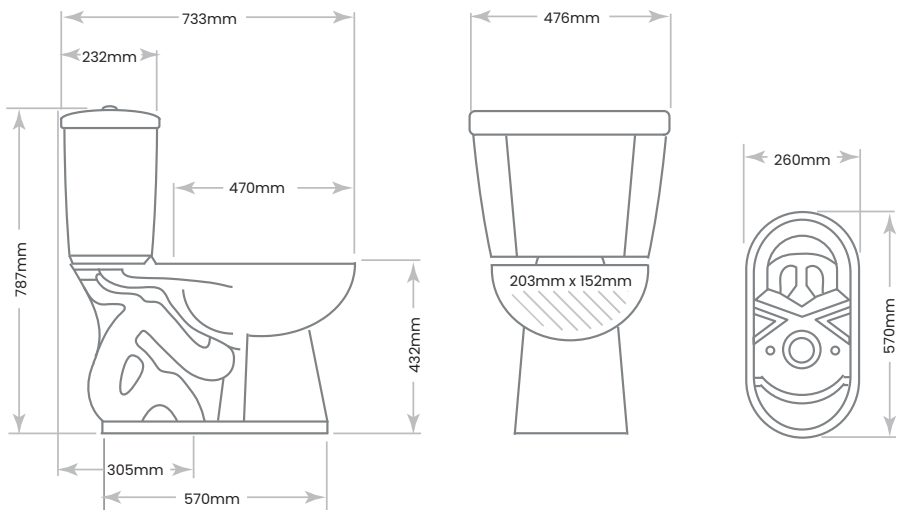
Phantom® 305mm Elongated



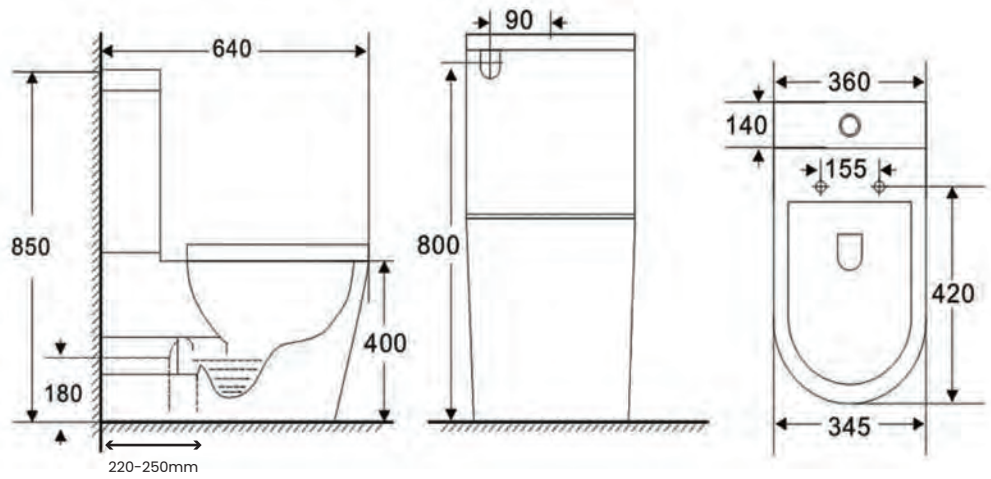
N7747-TME + N7747T-TME
Elongated Bowl with 12" Rough-In



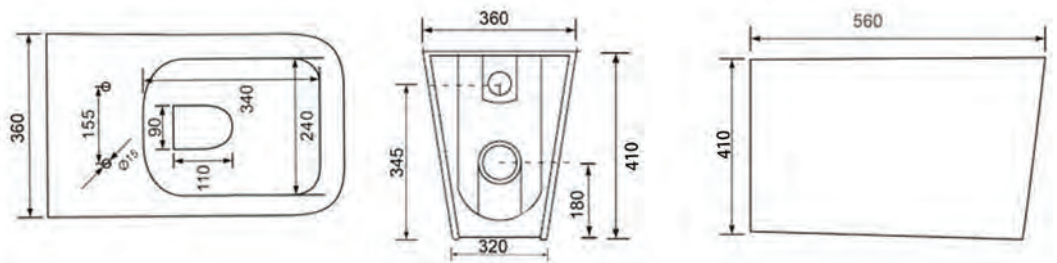
N7717-TME + N7714-TME Original™ 305mm Round



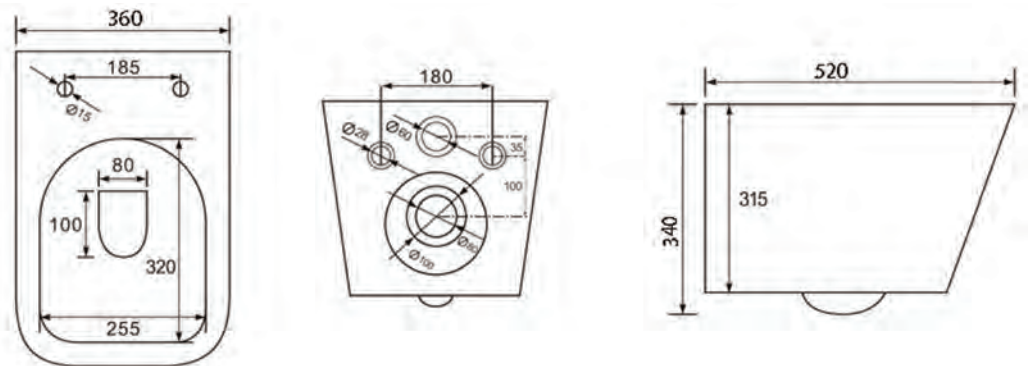
Huston Monoblock WC
N24006



Huston Back To Wall WC
N24001



Huston Wall Hung WC
N24002

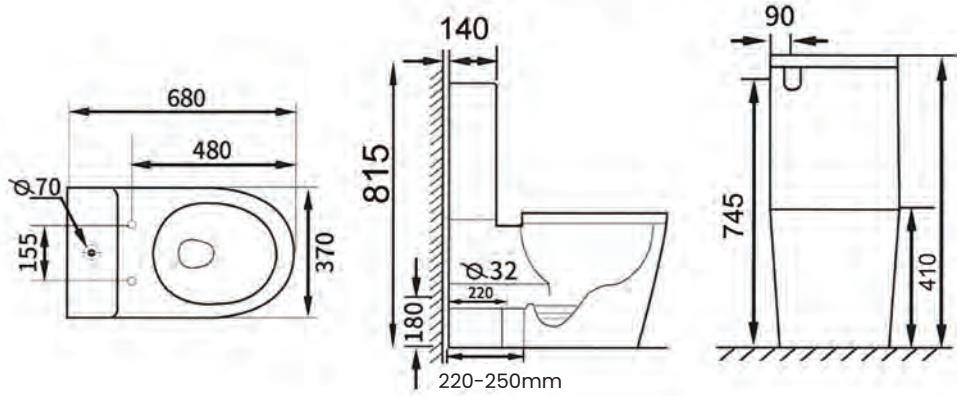


New Jersey Monoblock WC

N23006

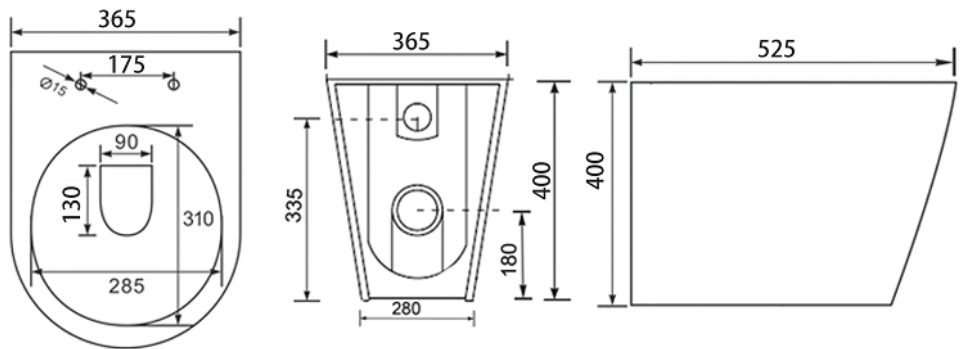


Unit: mm



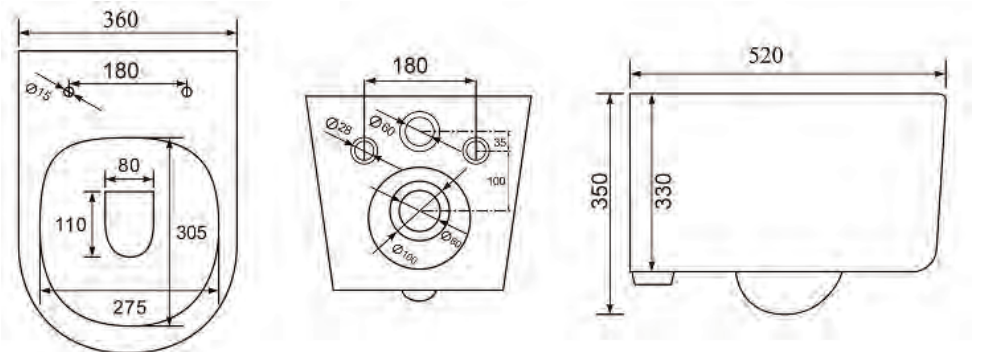
New Jersey Back To Wall WC

N23001



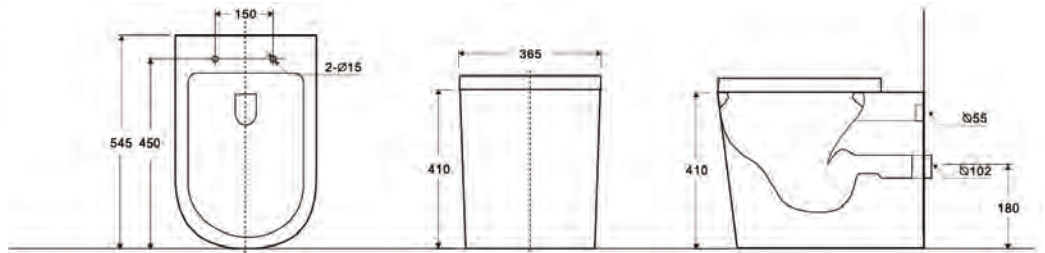
New Jersey Wall Hung WC N23002

N23002

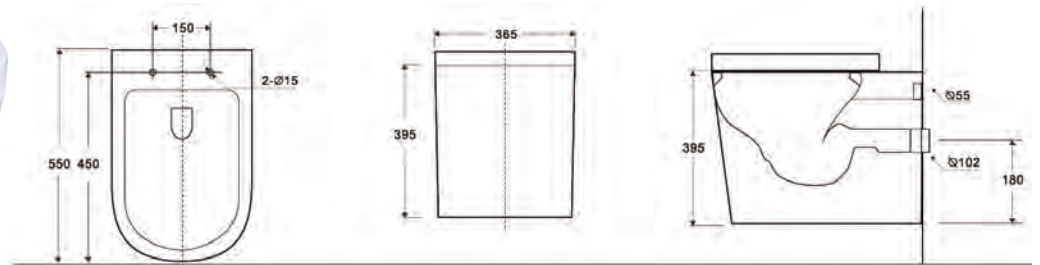




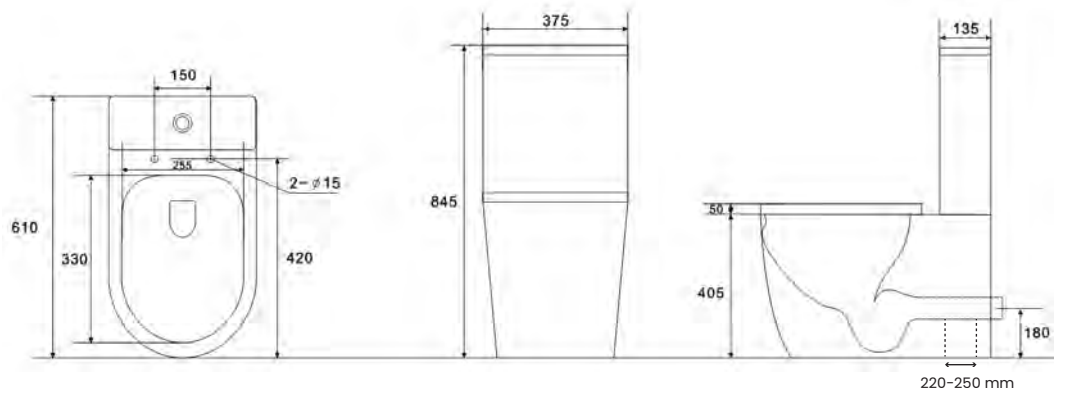
New York Back To Wall WC
N2155B



New York Wall Hung Wc
N2155W

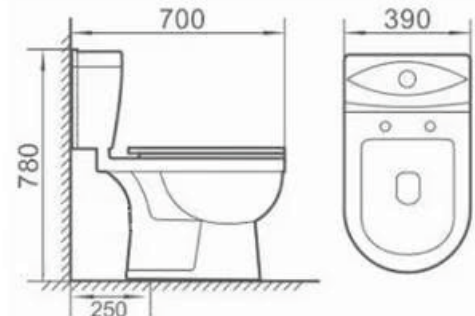
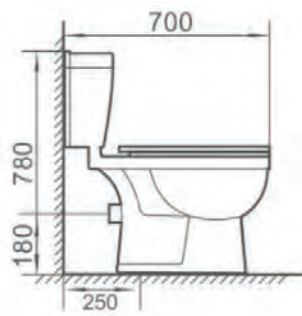


Mina Monoblock WC
NT2251



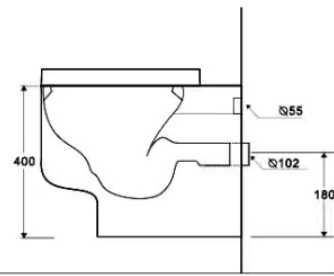
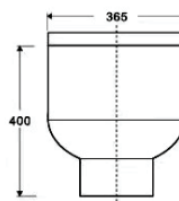
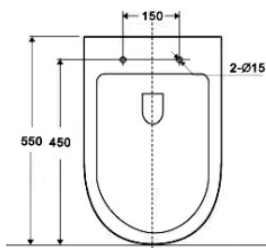
Street Plus Monoblock WC

NL2032



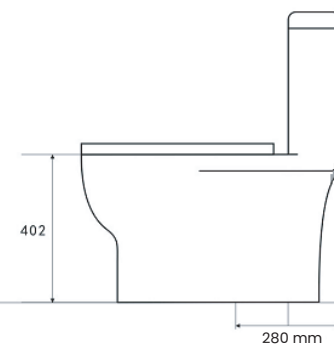
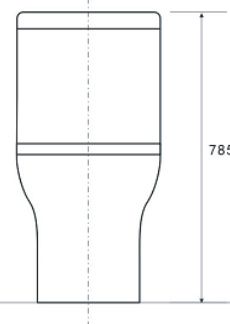
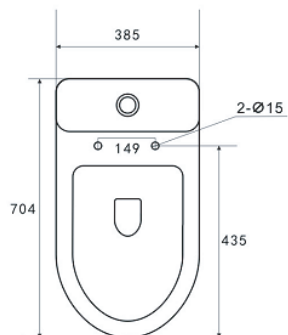
Street Plus Wall Hung WC

N2155W



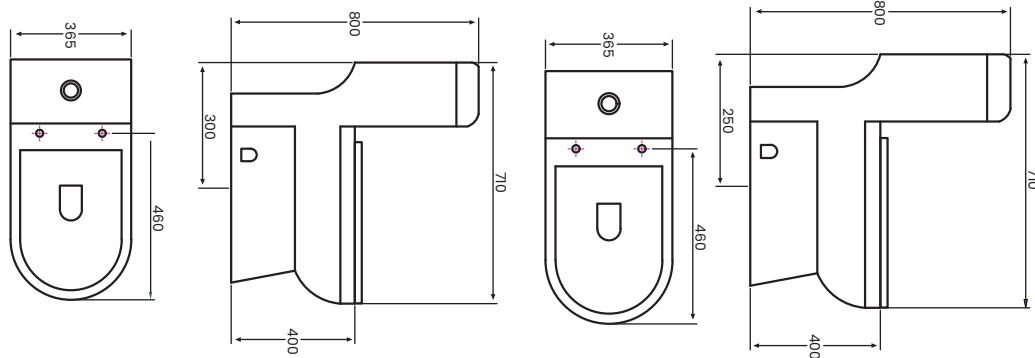
One Piece Collection WC

NL1171A



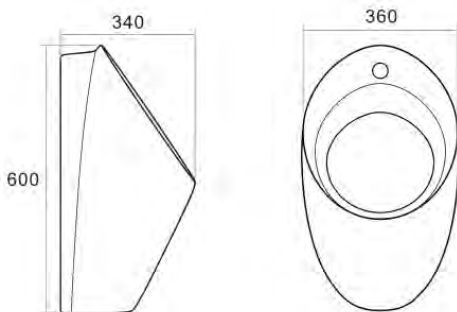
One Piece Collection WC

NL6171K



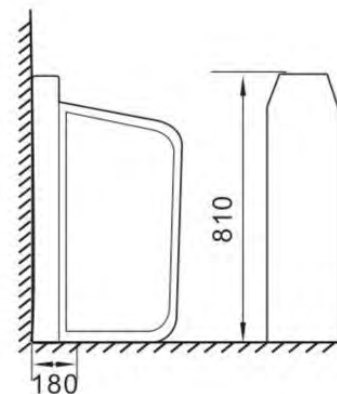
Dallas Urinal With Sensor Flush

NL620070



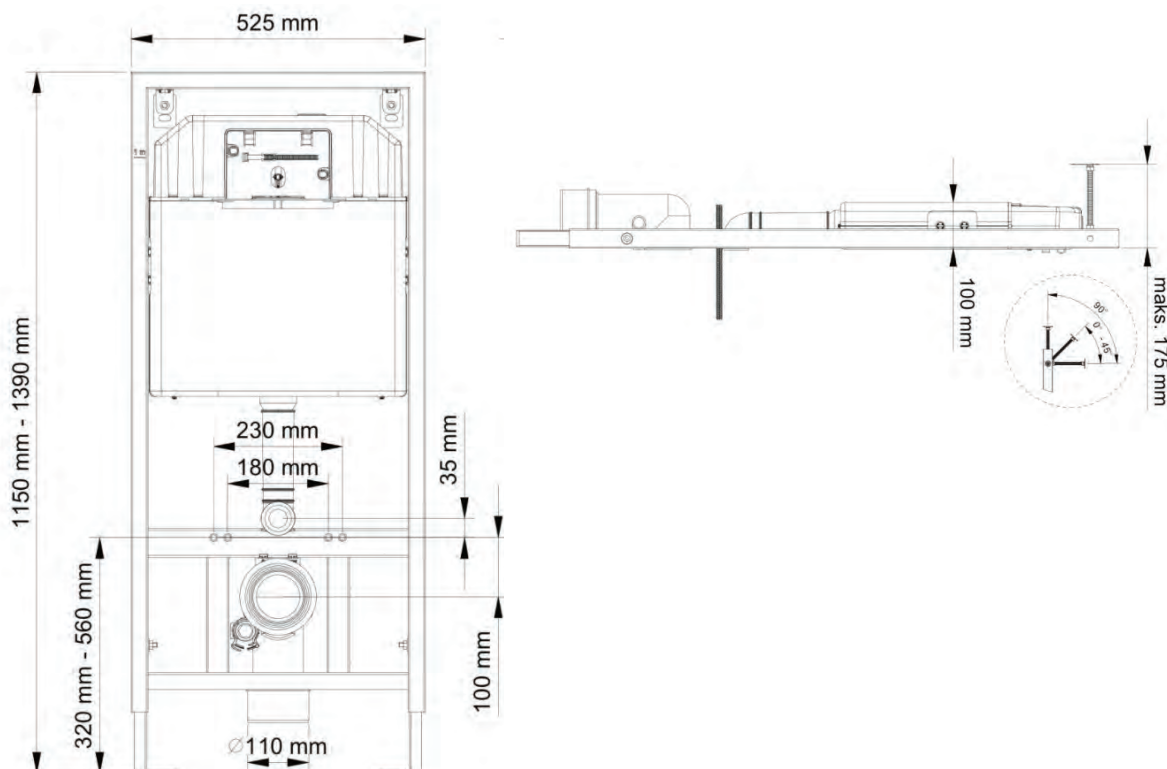
Urinal Divider 81cm

NL33080

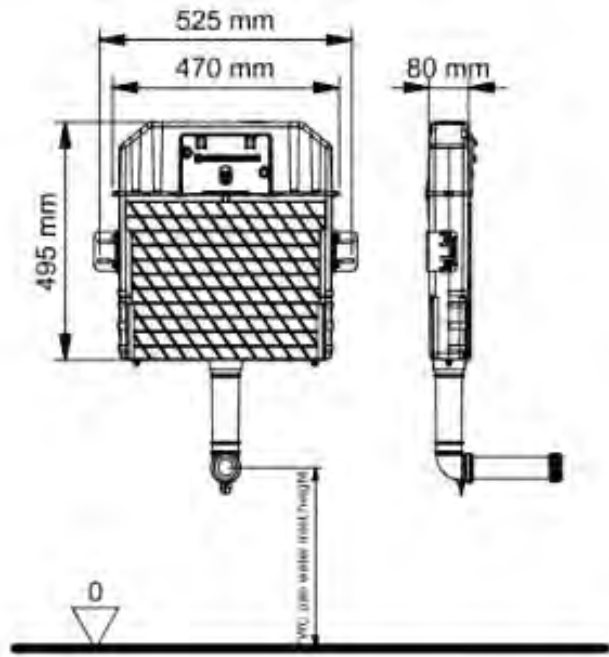


Concealed Cistern For Wall Hung WC

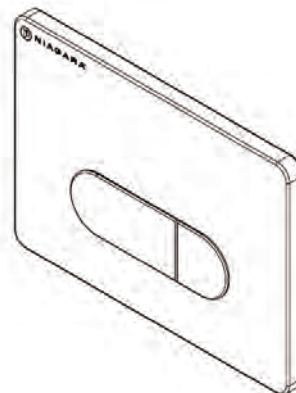
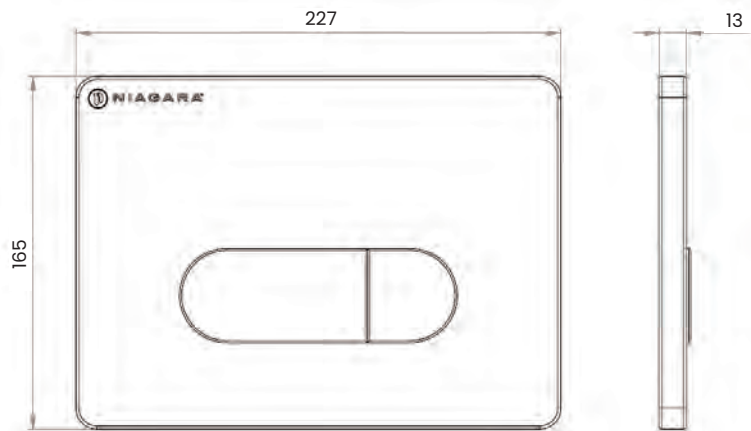
NLRT61455



Concealed Cistern For Back To Wall Wc
NLRT114001

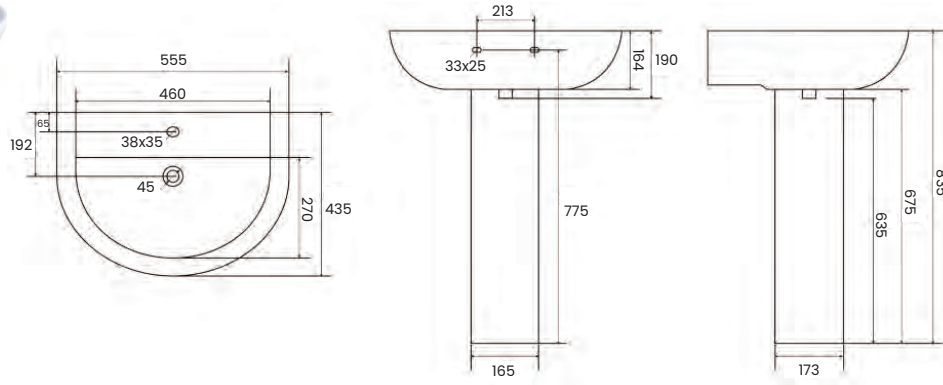


Siena Dual Flush Control Plate
EX-228-002

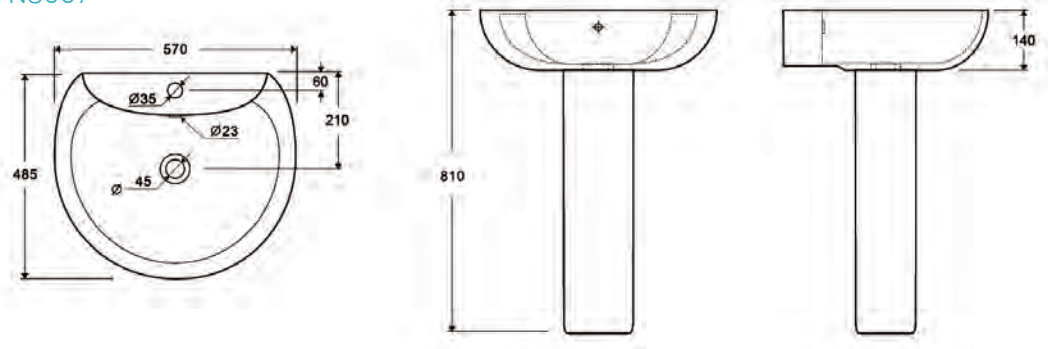




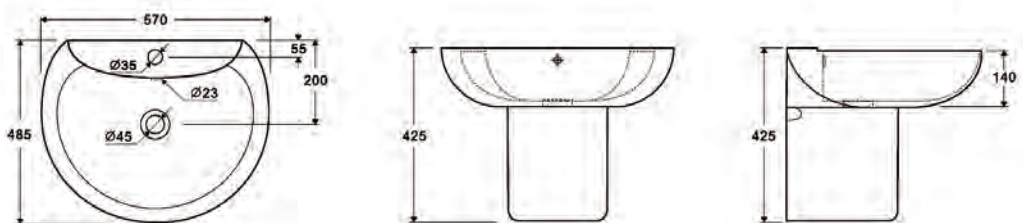
Project Plus Wash Basin
N3010



Project Pro Wash Basin
N8007



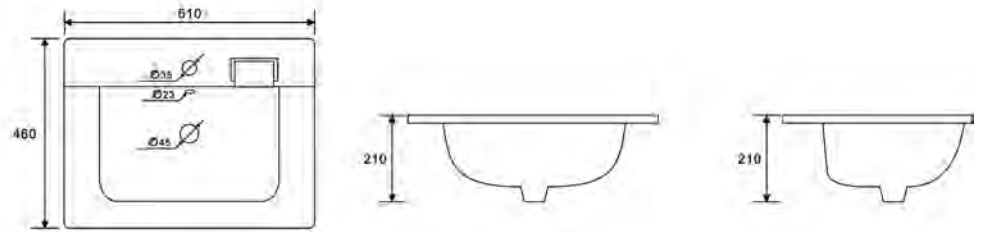
Project Pro Wash Basin
N8007D





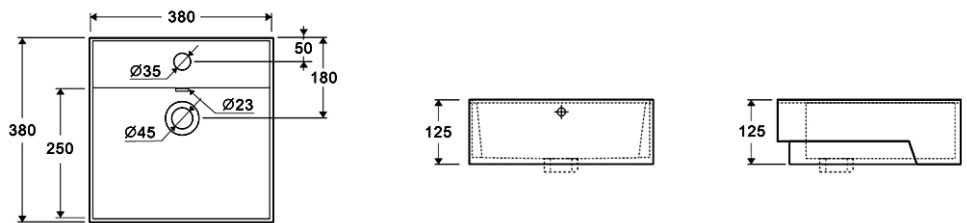
Emma Plus Counter Wash Basin

NL7222



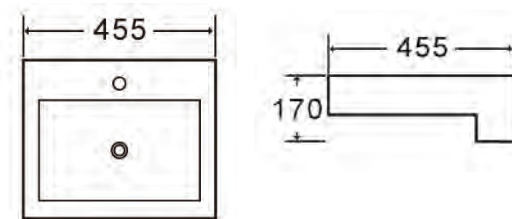
Emma Plus Counter Wash Basin

NL4148C



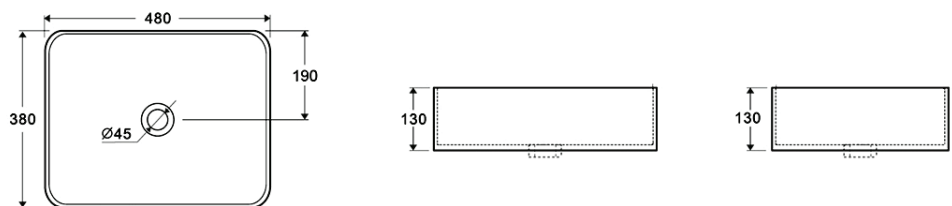
Emma Plus Counter Wash Basin

NL4148B | NL4148BMATBK



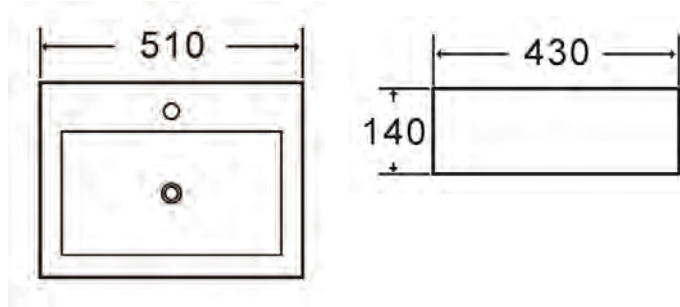
Emma Plus Counter Wash Basin

NL4565



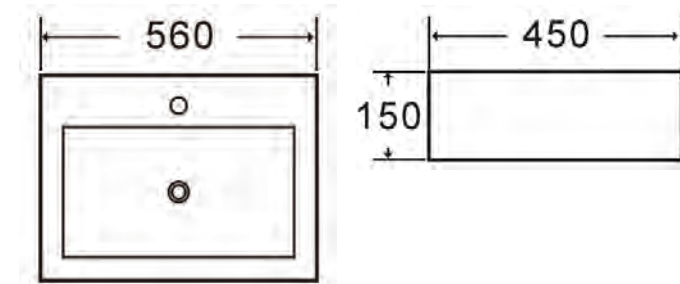
Emma Plus Counter Wash Basin

NL8108



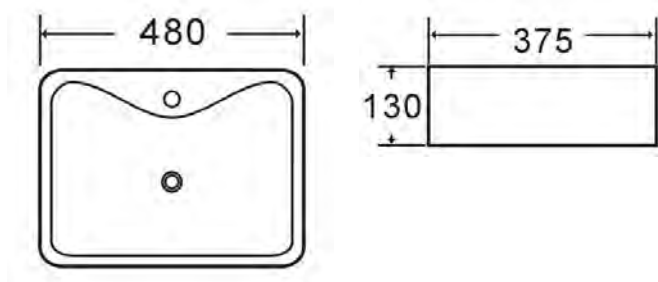
Emma Plus Counter Wash Basin

NL8117



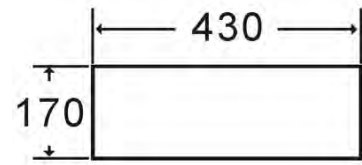
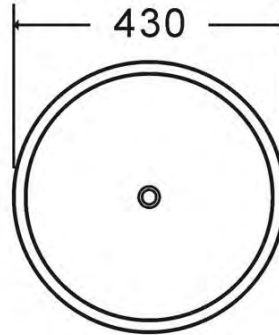
Emma Plus Counter Wash Basin

NL8072A | NL8072AMATBK



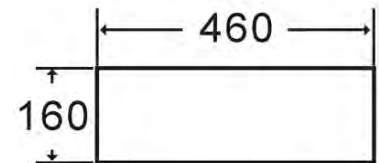
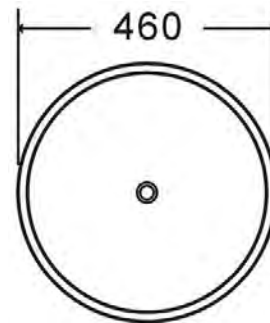
Emma Plus Counter Wash Basin

NL8002



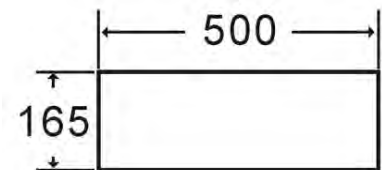
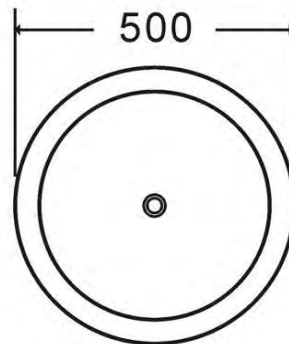
Emma Plus Counter Wash Basin

NL8017



Emma Plus Counter Wash Basin

NL8025





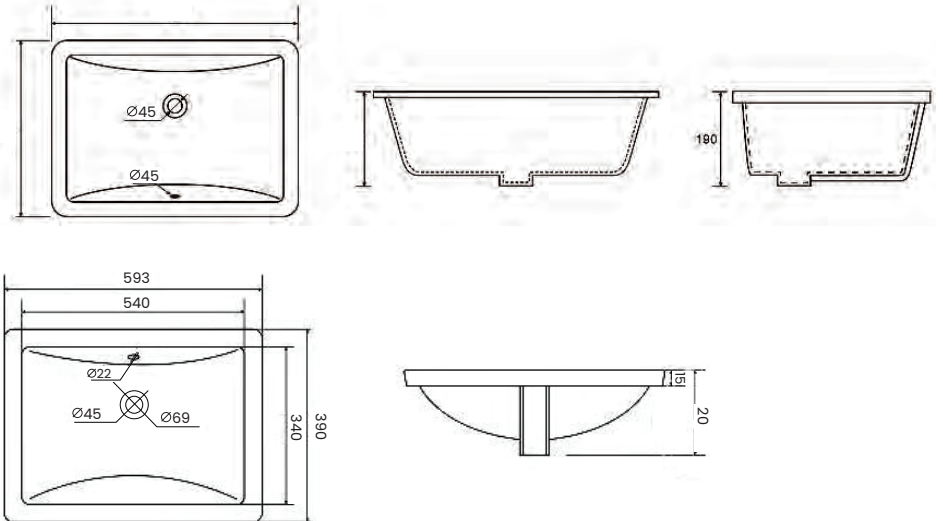
Emma Plus Under Counter Wash Basin

NL1303-1/2/3

Size 593 X 390 X 200 mm
NL1303-1

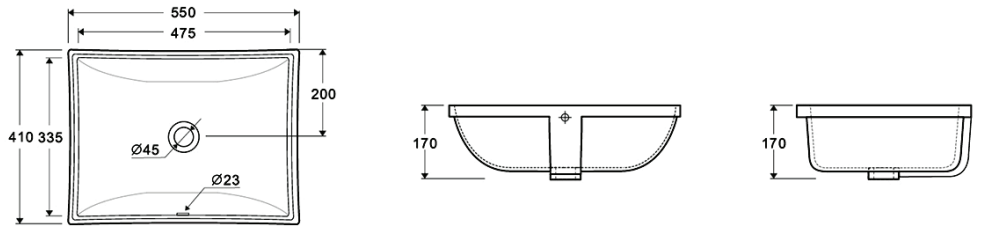
Size 465X345X205 mm
NL1303-2

Size 500 X 365 X 190 mm
NL1303-3



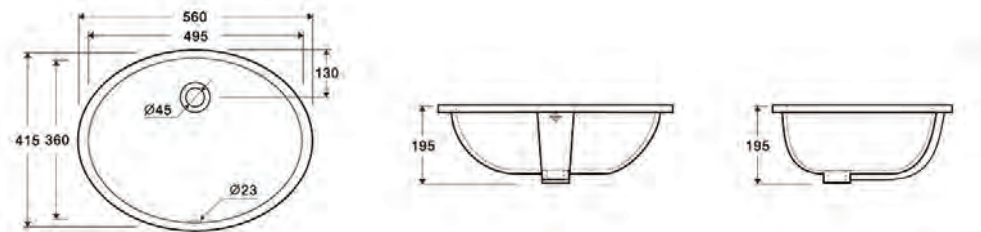
Emma Plus Under Counter Wash Basin

NL4289A



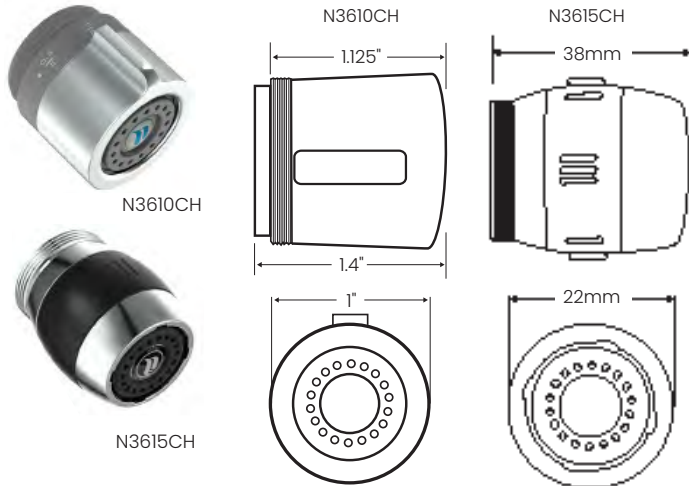
Emma Plus Under Counter Wash Basin

NLS008



Tri-Max Aerator

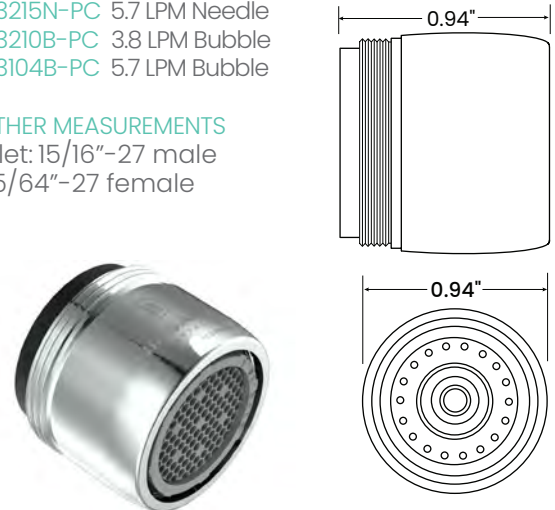
N3610CH 1.9 / 3.8 / 5.7 LPM Needle
 N3615CH 1.9 / 3.8 / 5.7 LPM Needle



Dual Thread Aerator

N3205N-PC 1.9 LPM Needle
 N3215N-PC 5.7 LPM Needle
 N3210B-PC 3.8 LPM Bubble
 N3104B-PC 5.7 LPM Bubble

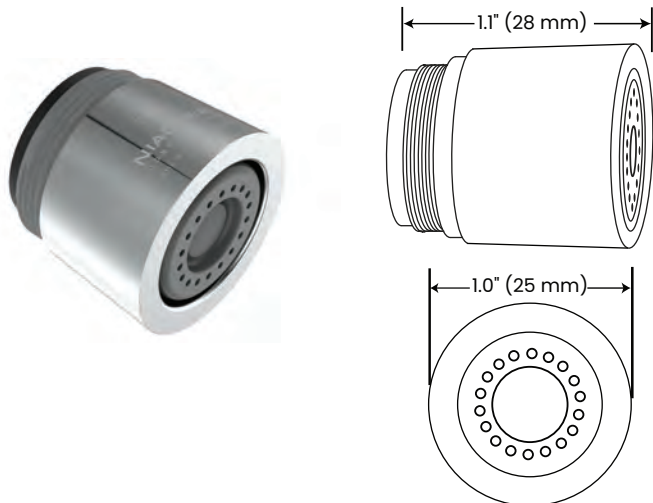
OTHER MEASUREMENTS
 Inlet: 15/16"-27 male
 55/64"-27 female



Dual Thread Aerator (With Removable Threads)

N3601N 3.8 LPM Needle
 N3602N 5.7 LPM Needle
 N3601B 3.8 LPM Bubble
 N3602B 5.7 LPM Bubble

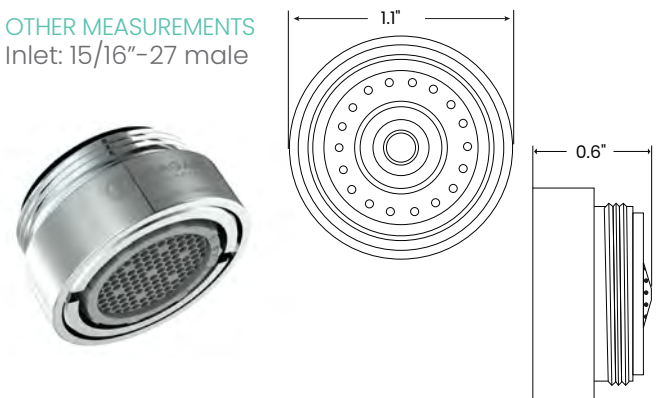
OTHER MEASUREMENTS
 Inlet: 15/16"-27 male
 55/64"-27 female



Tamerproof Aerator (With Male Threads)

N3205NMTP-PC-T 1.9 LPM Needle
 N3210NMTP-PC-T 3.8 LPM Needle
 N3215NMTP-PC-T 5.7 LPM Needle
 N3210BMTP-PC-T 3.8 LPM Bubble
 N3215BMTP-PC-T 5.7 LPM Bubble

OTHER MEASUREMENTS
 Inlet: 15/16"-27 male

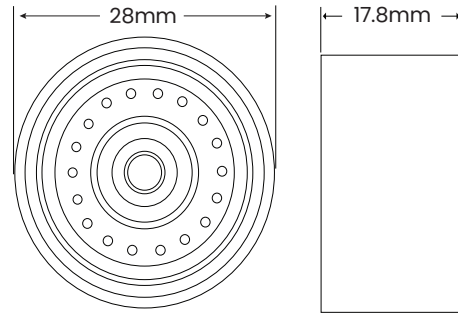


Tamerproof Aerator (With Female Threads)

- N3205NFTP-PC-T 1.9 LPM Needle
- N3210NFTP-PC-T 3.8 LPM Needle
- N3215NFTP-PC-T 5.7 LPM Needle
- N3210BFTP-PC-T 3.8 LPM Bubble
- N3215BFTP-PC-T 5.7 LPM Bubble

MEASUREMENTS

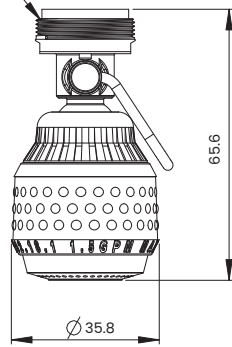
Inlet: 55/64"-27 female



Dual Spray Kitchen Aerator (With Pause Valve)

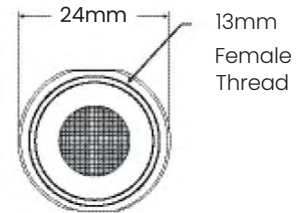
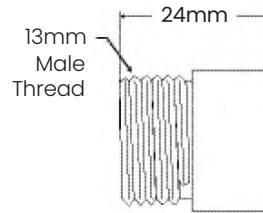
N3115VP-FC 5.7 LPM Black/White

Outer Thread: 15/16-27UNS-2A
Inner Thread: 55/64-27UNS-2B

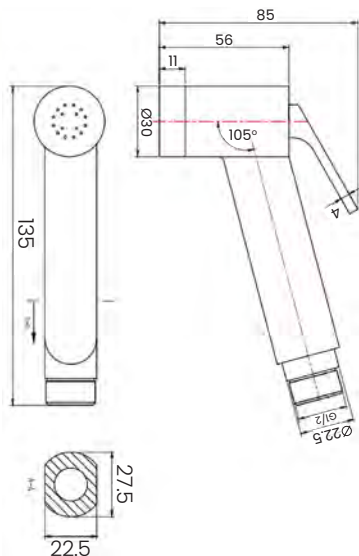


Dual Spray Shower Flow Control Aerator (With Pause Valve)

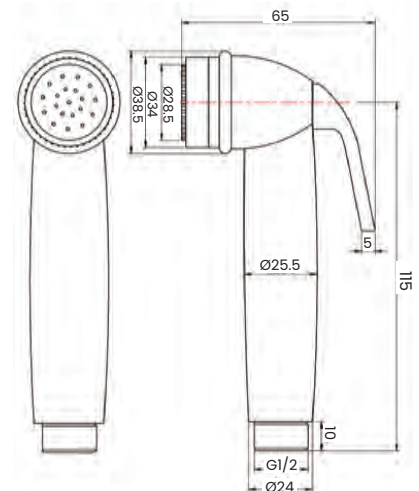
- N3320 7.6 LPM
- N3322 8.5 LPM
- N3325 9.5 LPM



Shattaf NT6116



Shattaf NT6117



Super Shattaf® Bidet Sprayer

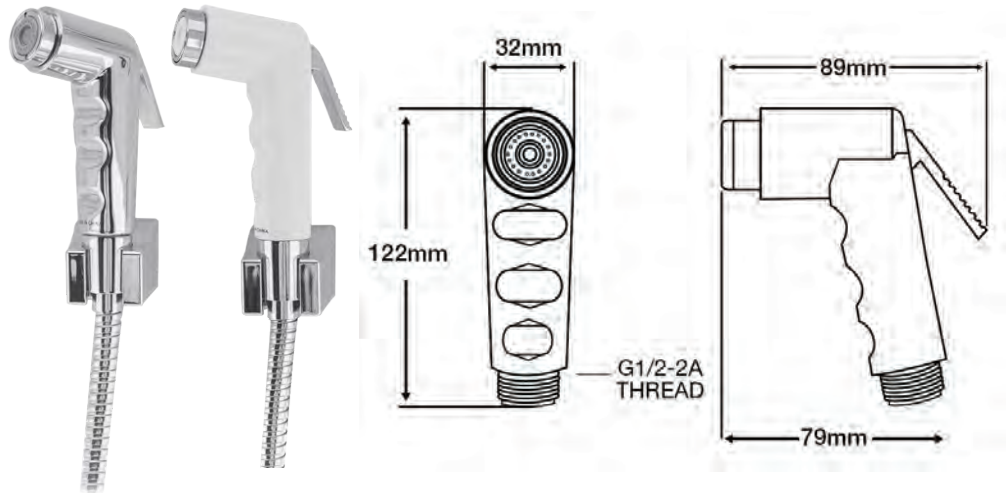
N2317 Standard Super Shattaf

N2317-TP Tamperproof Super Shattaf

N2317-VB Vacuum Breaker for Shattaf Unit

N2317CH Chrome Plated Super Shattaf

N2317CH-TP Chrome Plated Tamperproof Super Shattaf



OTHER MEASUREMENTS

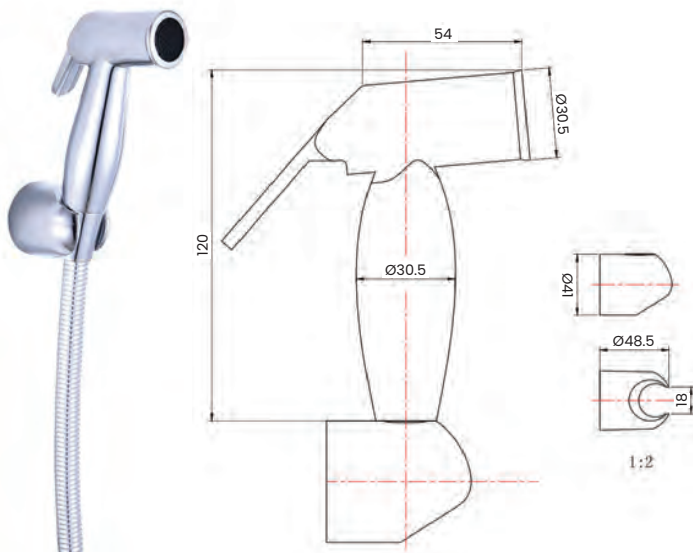
Hose: 120cm (47") Stainless steel wrapped PVC with chrome-plated brass end connectors

OTHER MEASUREMENTS

Hose: 120cm (47") Stainless steel wrapped PVC with chrome-plated brass end connectors

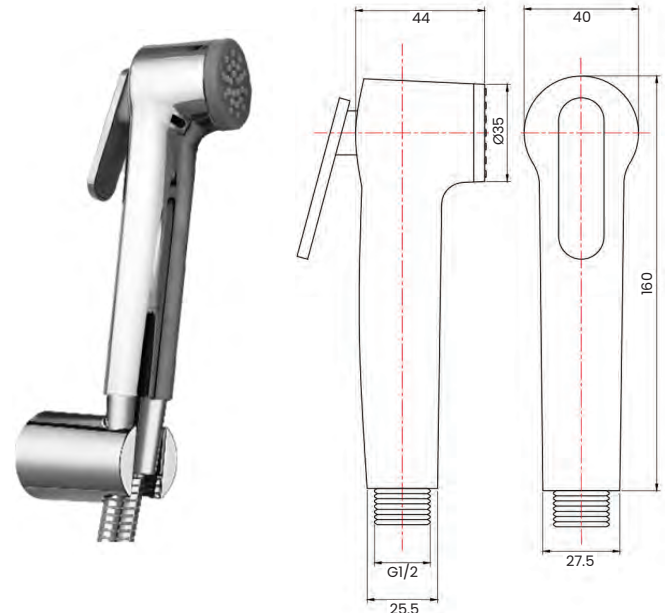
Shattaf

NT6118



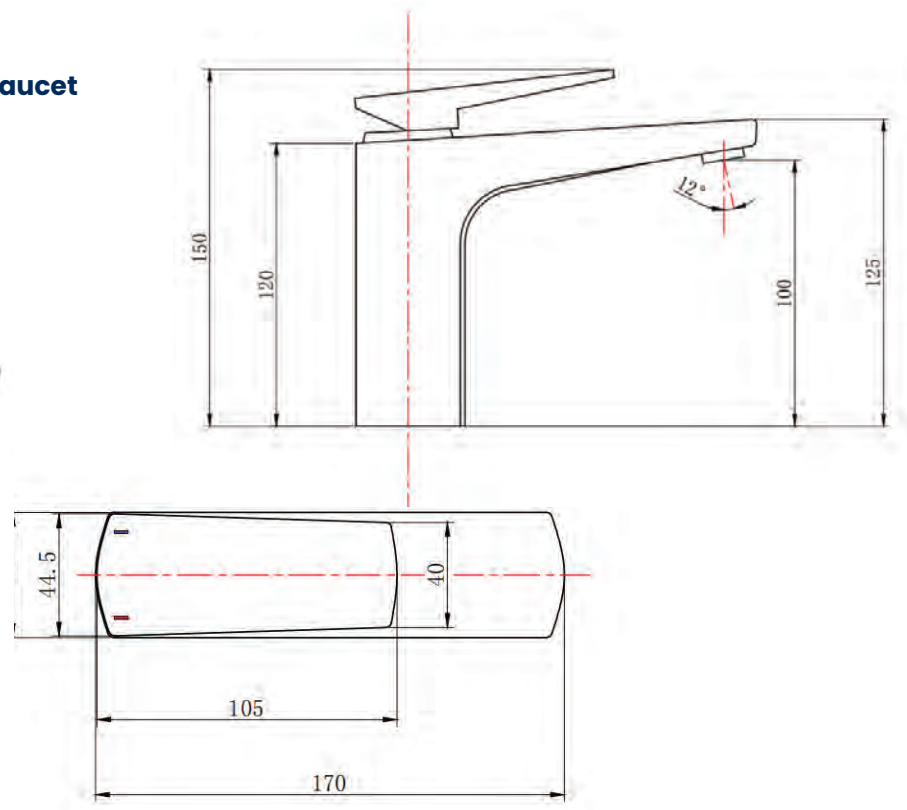
Shattaf

NL16105-N



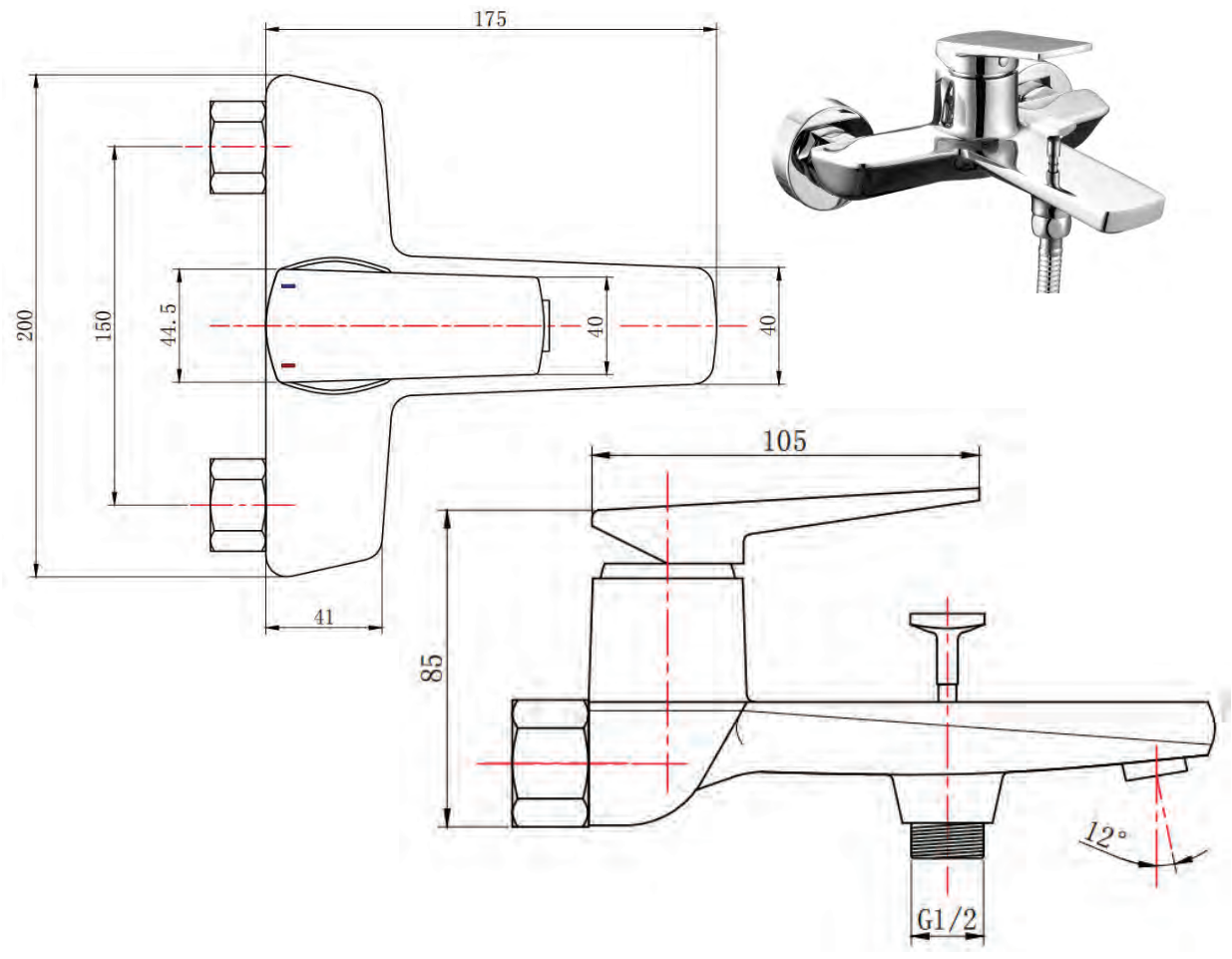
Liberty Wash Basin Faucet

NM70005



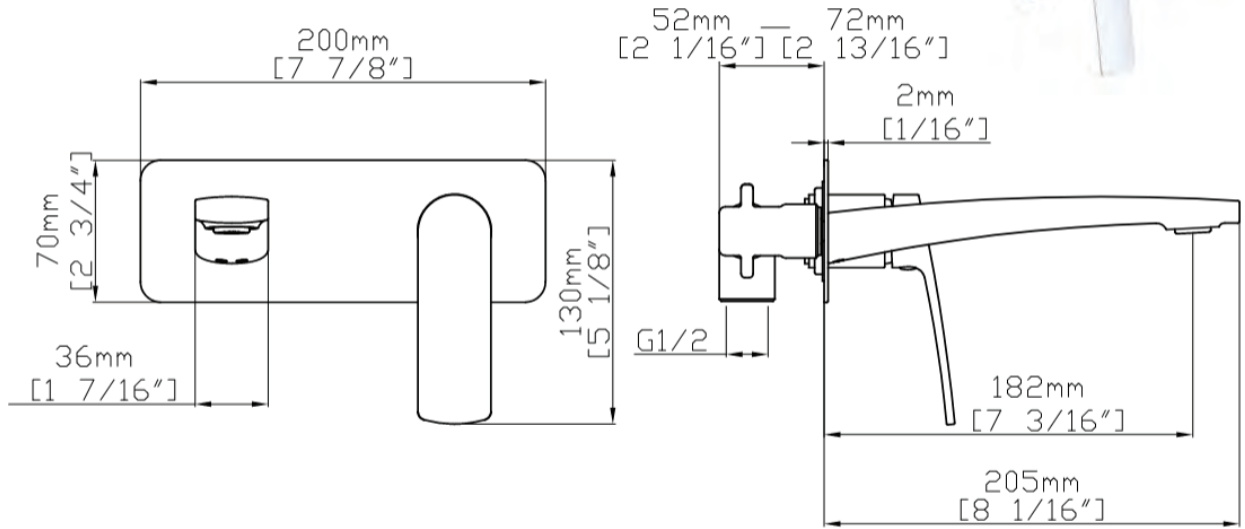
Liberty Bath & Shower Faucet

NM70055



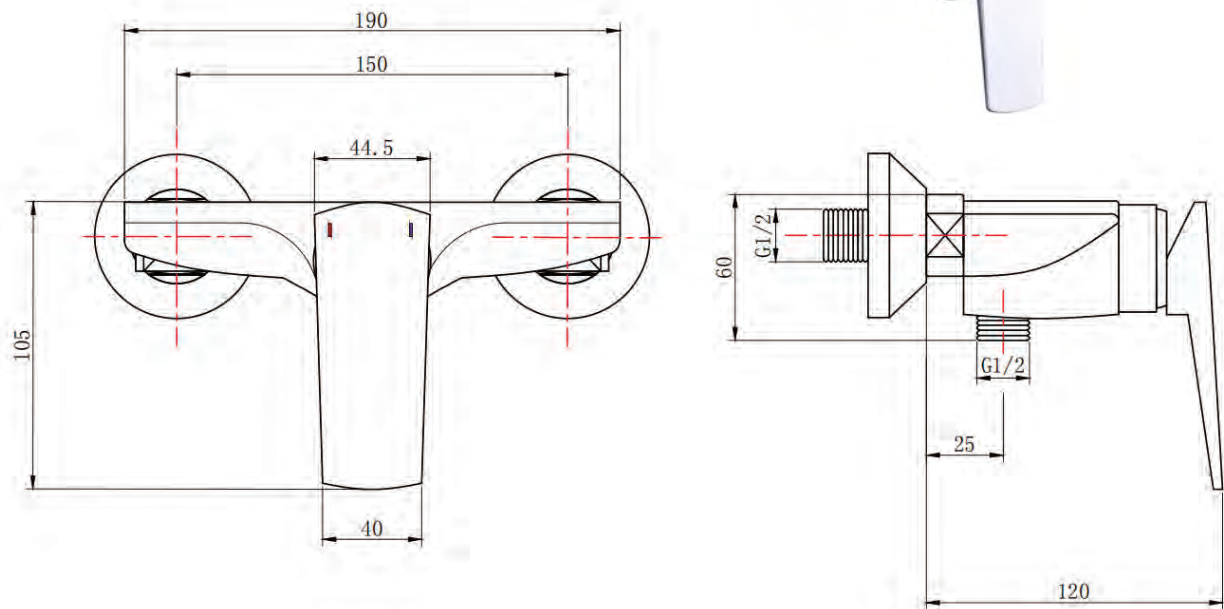
Liberty Wash Basin Faucet

NM7005-SE



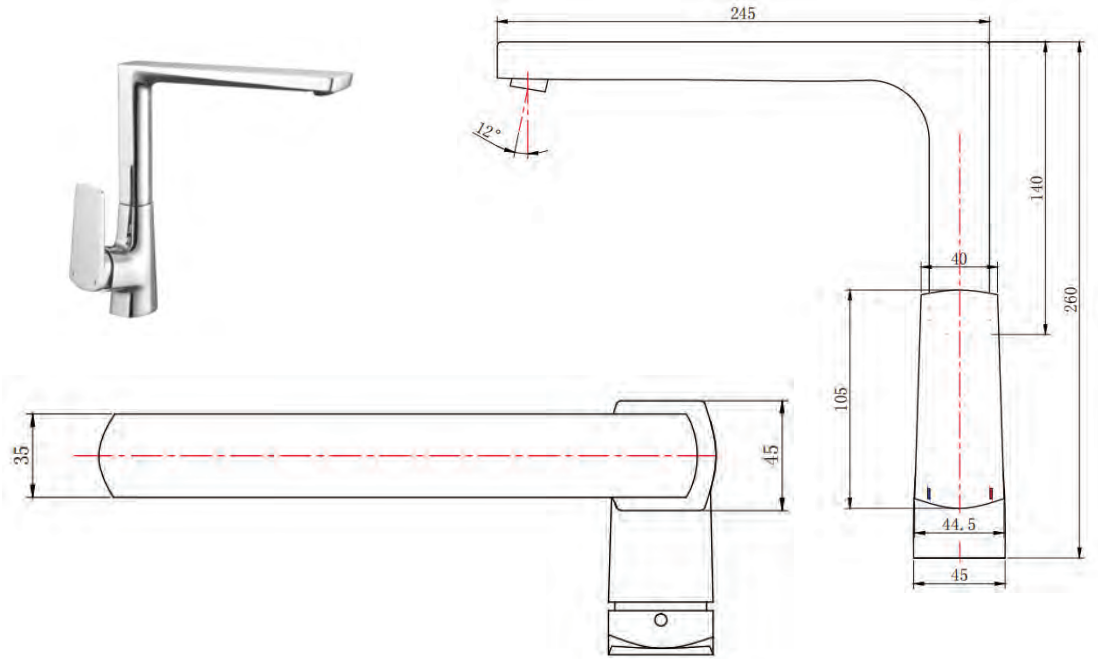
Liberty Shower Faucet

NM70056



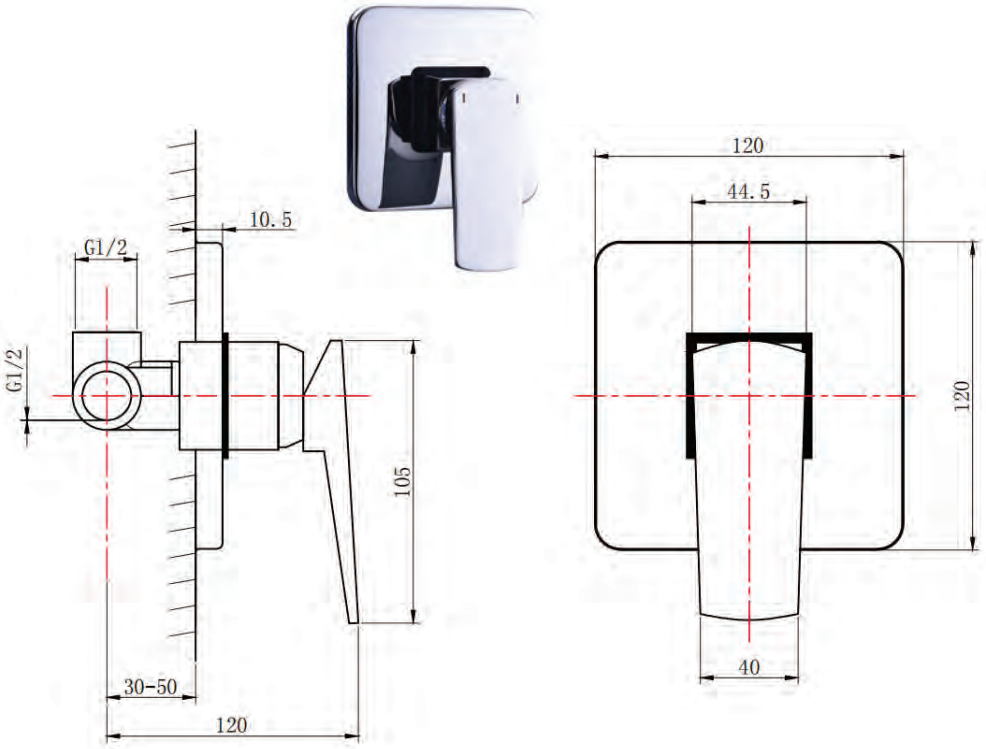
Liberty Concealed Shower Faucet

NM70023



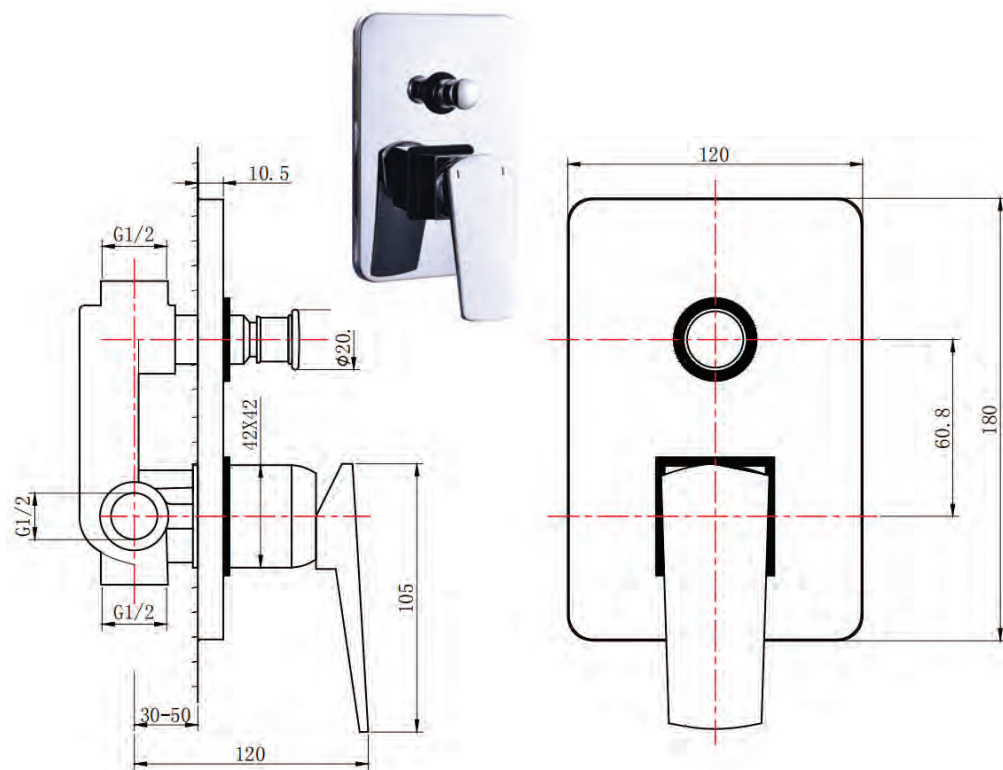
Liberty Concealed Shower Faucet

NM70001



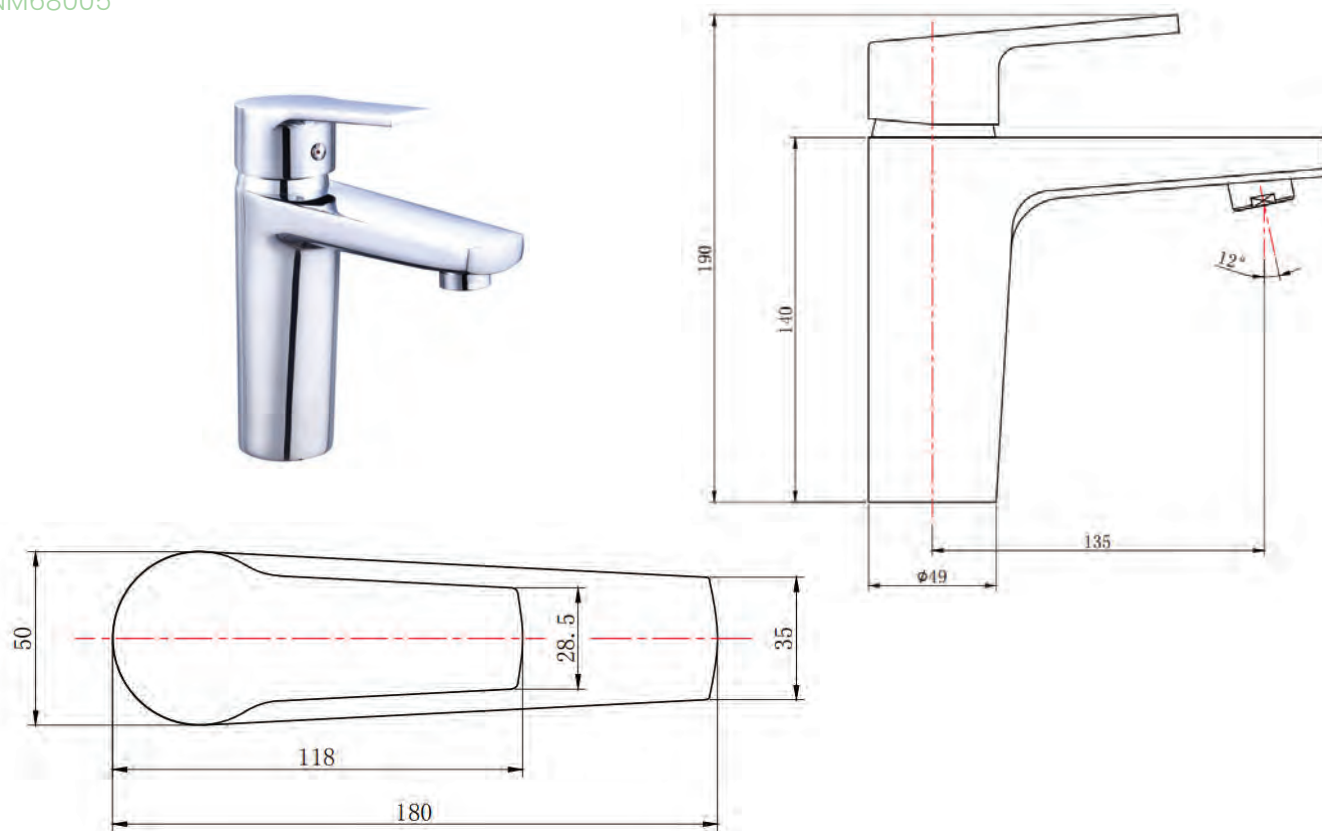
Liberty Concealed Shower Faucet

NM70000



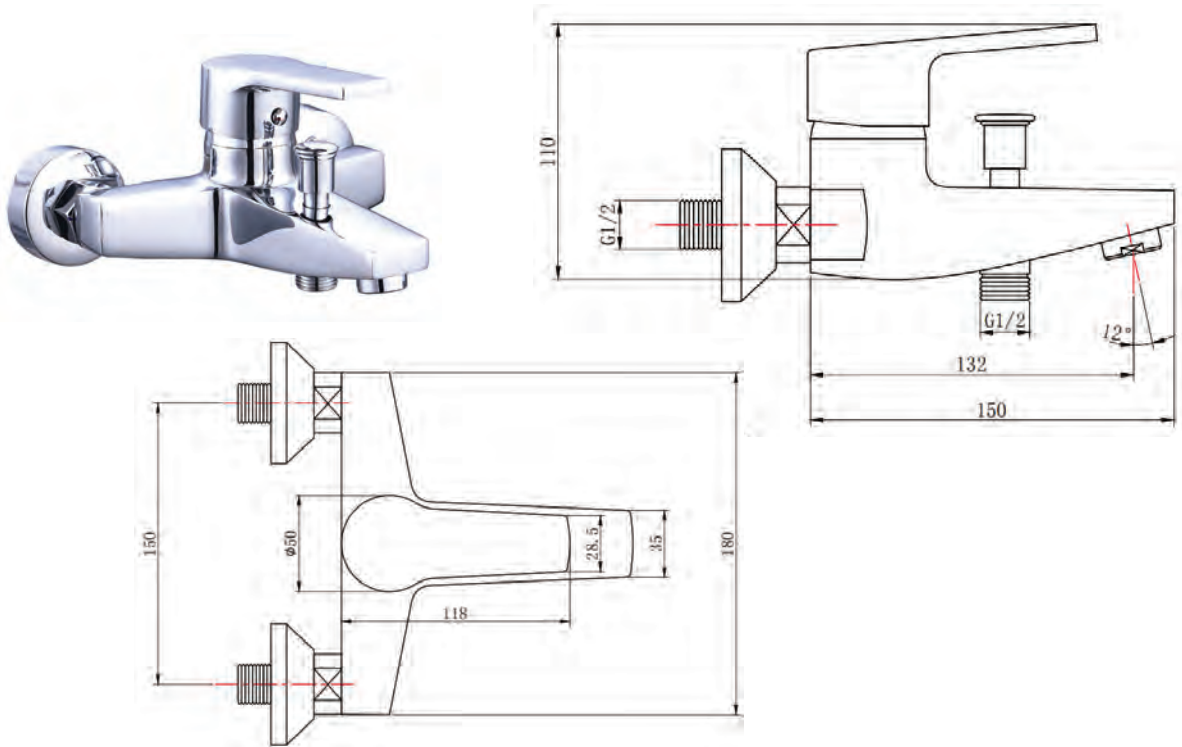
Manhattan Wash Basin Faucet

NM68005



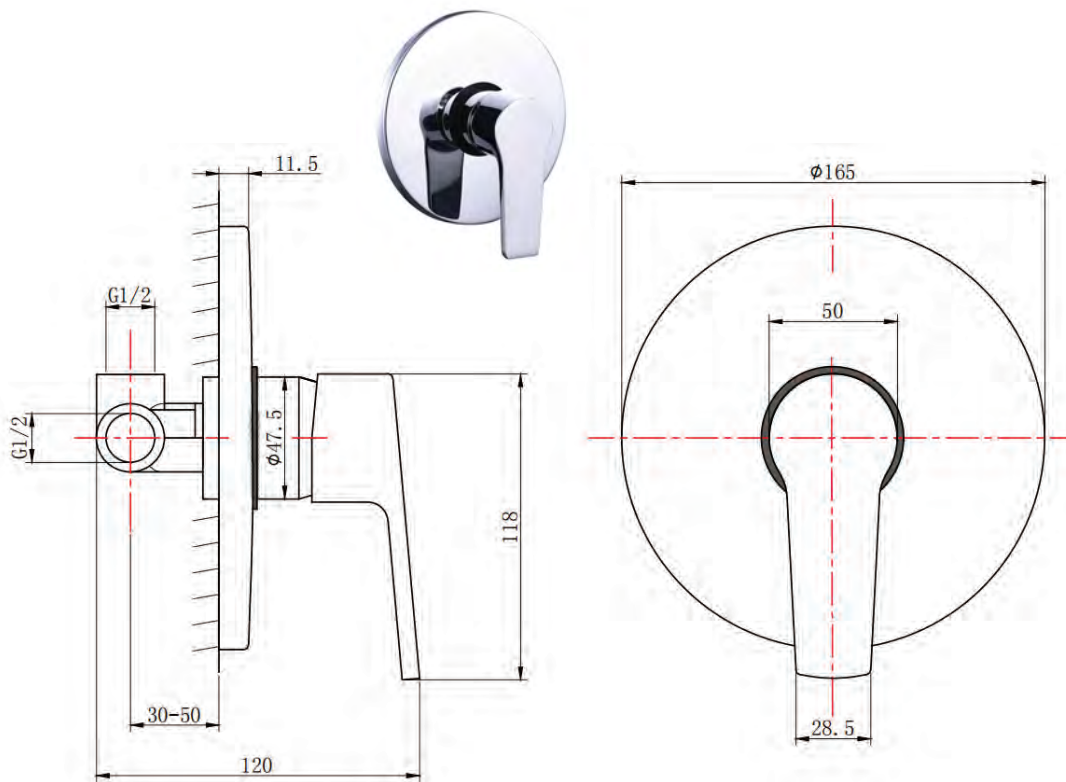
Manhattan Bath & Shower Faucet

NM68055



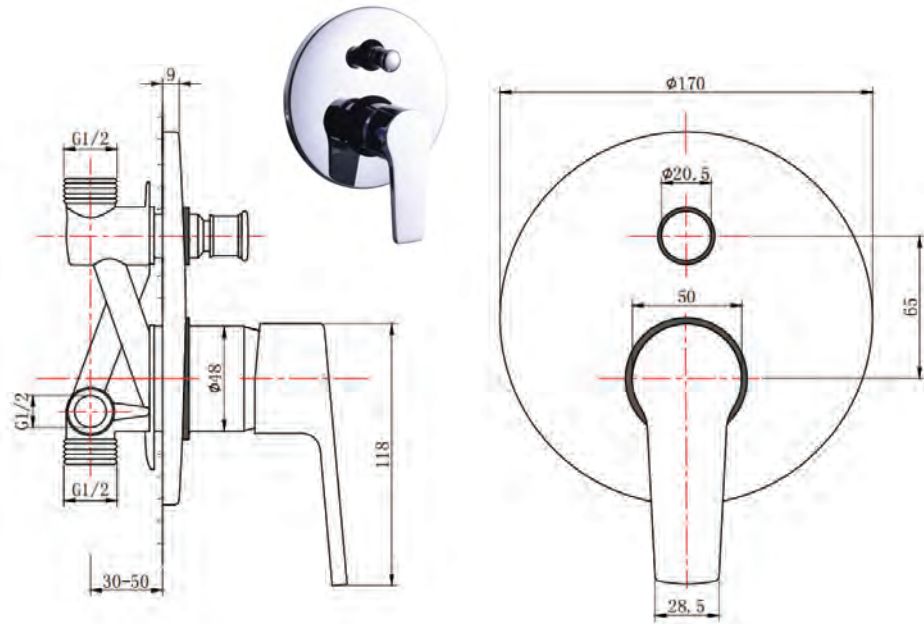
Manhattan Concealed Shower Faucet

NM68001



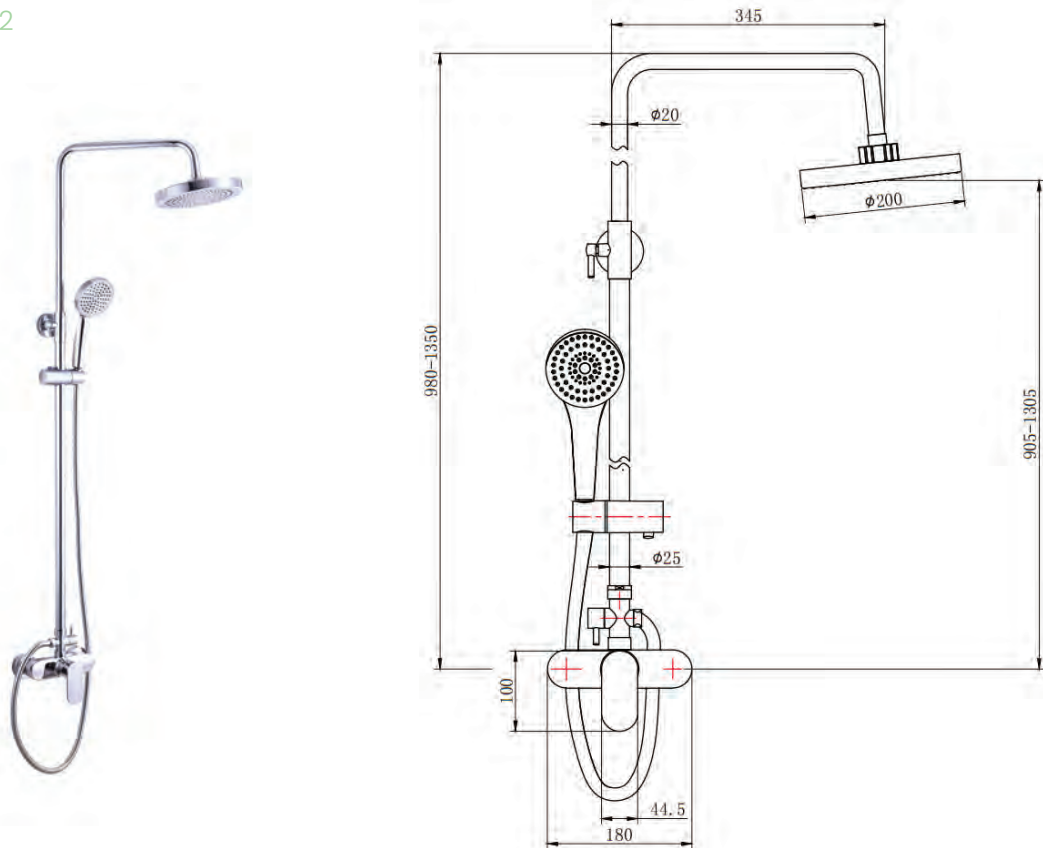
Manhattan Concealed Shower Faucet

NM68000



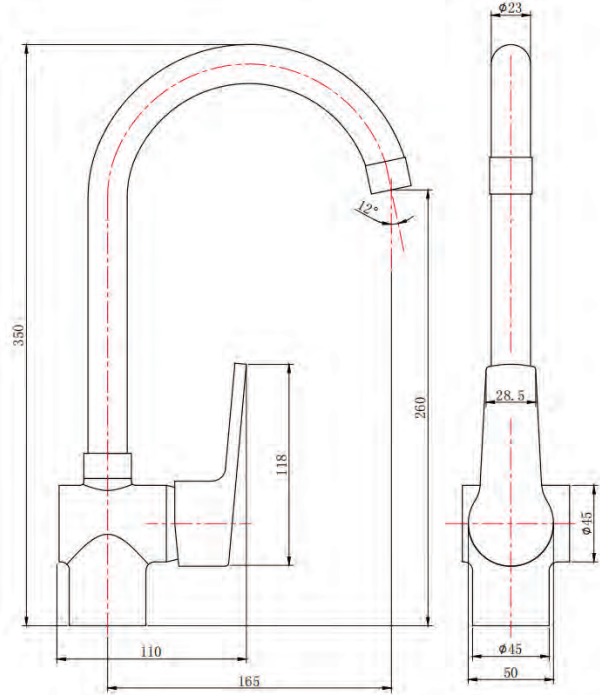
Manhattan Shower Faucet

NM68056-1 & 2



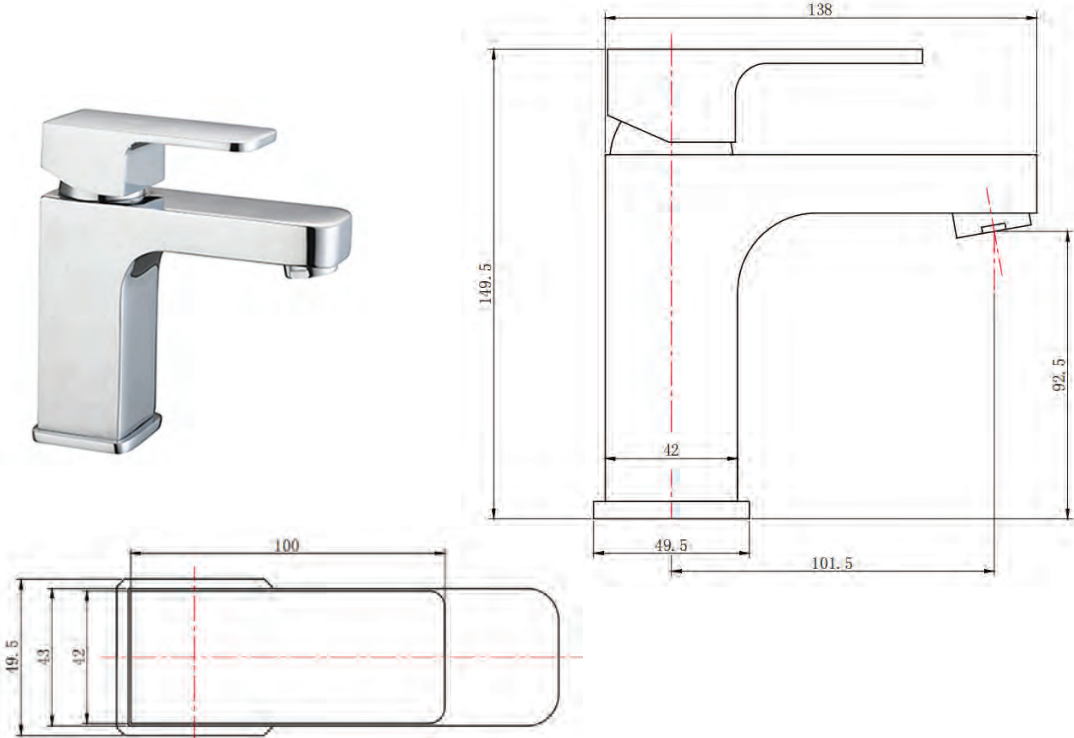
Manhattan Lateral Kitchen Faucet

NM68023



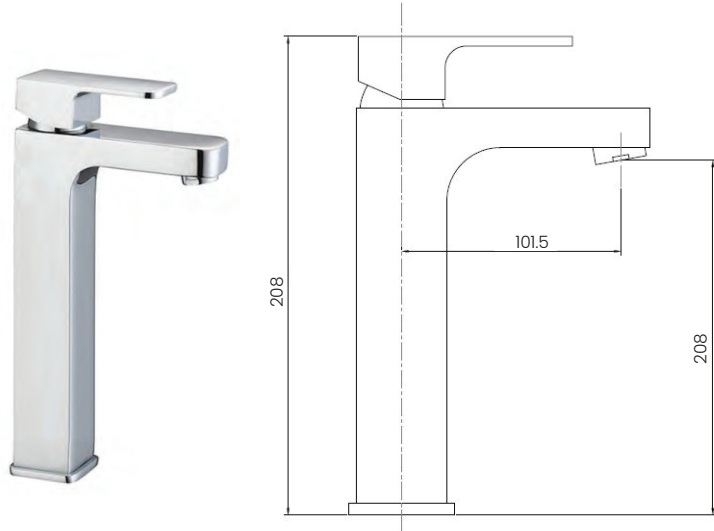
Dallas Plus Wash Basin Faucet

NM30205



Dallas Plus Wash Basin Faucet

NM30205-H



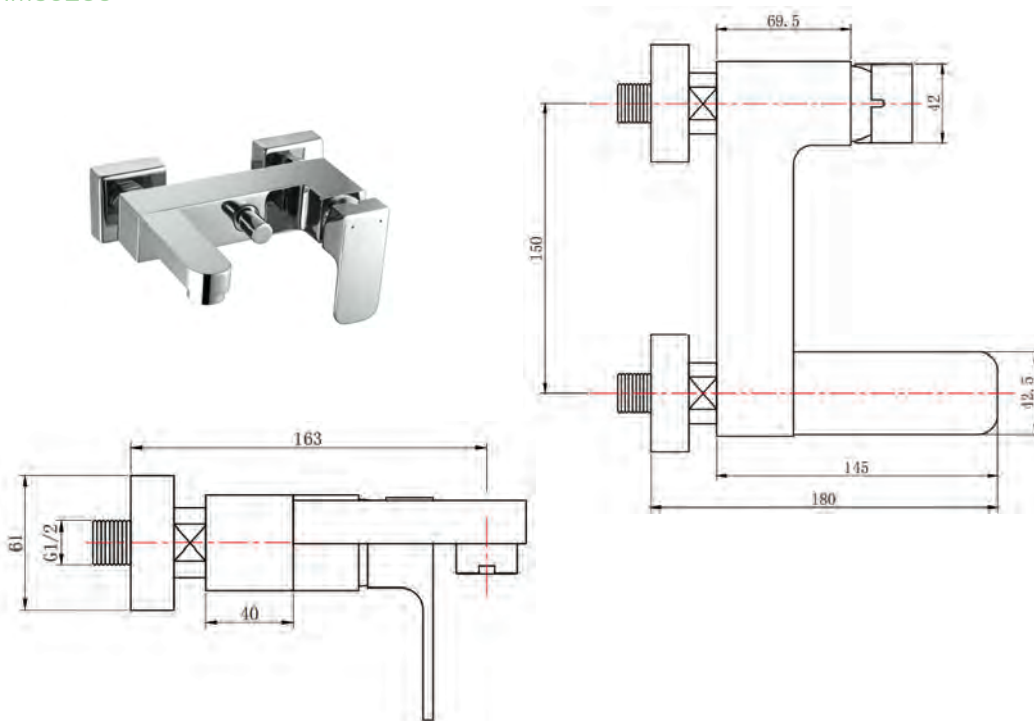
Dallas Plus Sensor Wash Basin Faucet

NL36038



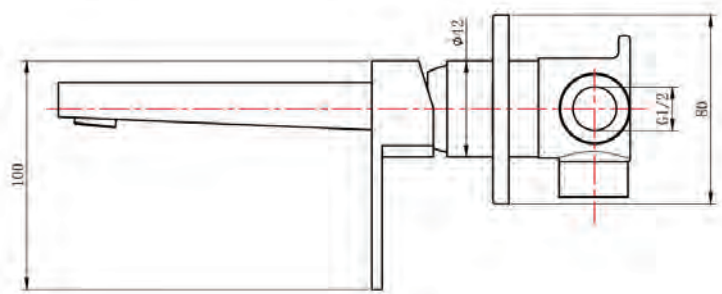
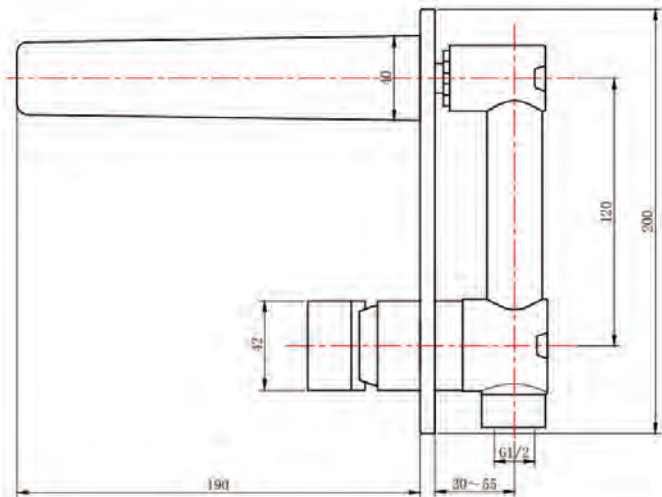
Dallas Plus Bath & Shower Faucet

NM30255



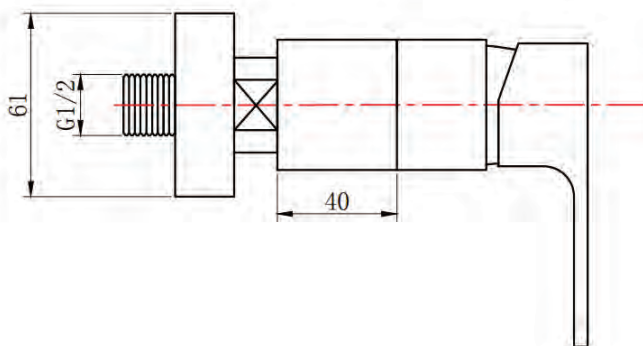
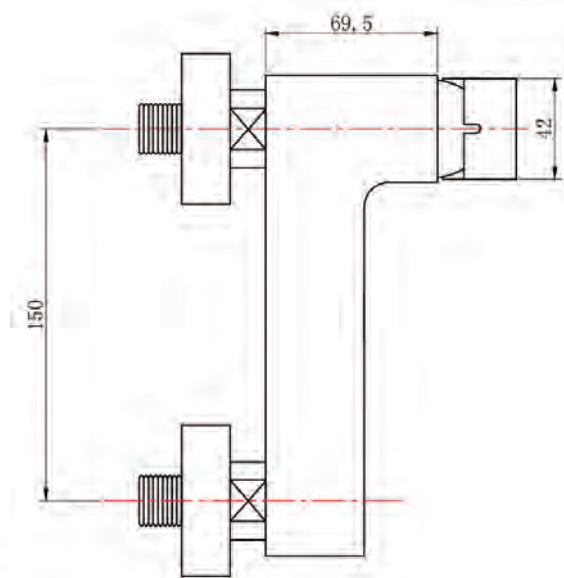
Dallas Plus Wash Basin Faucet

NM30205-SE



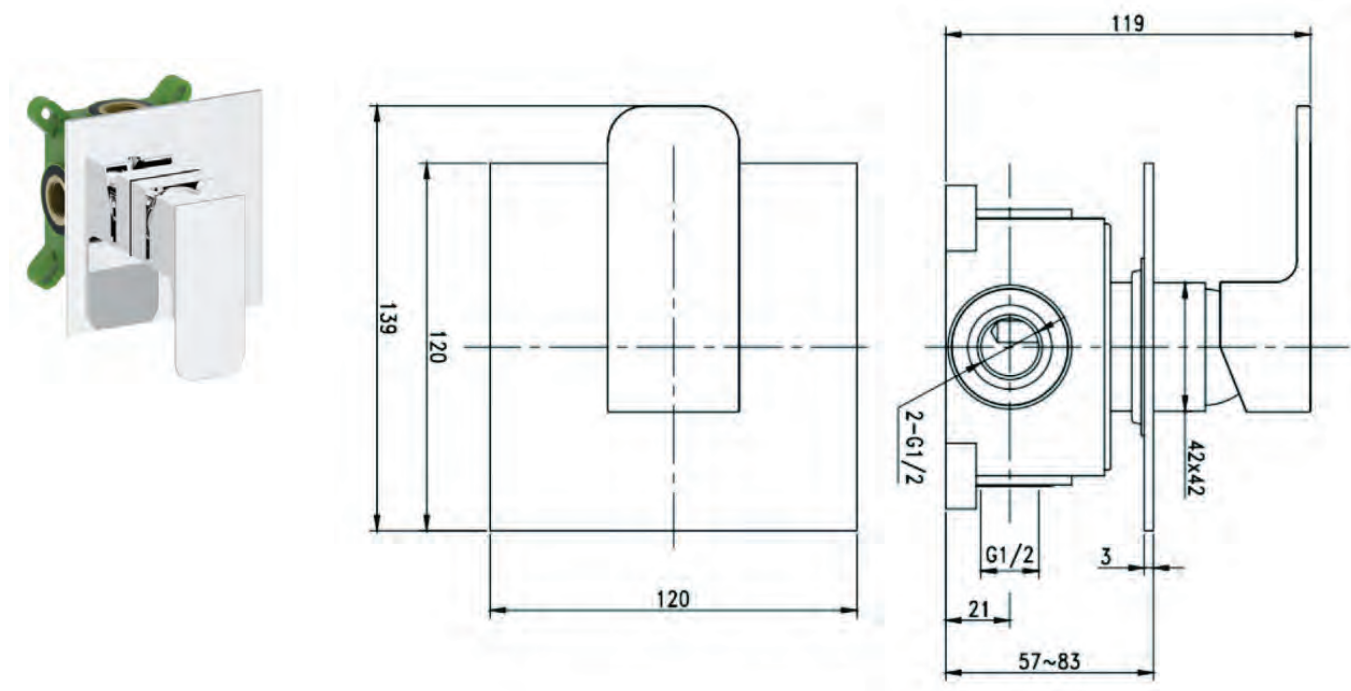
Dallas Plus Bath Faucet

NM30256



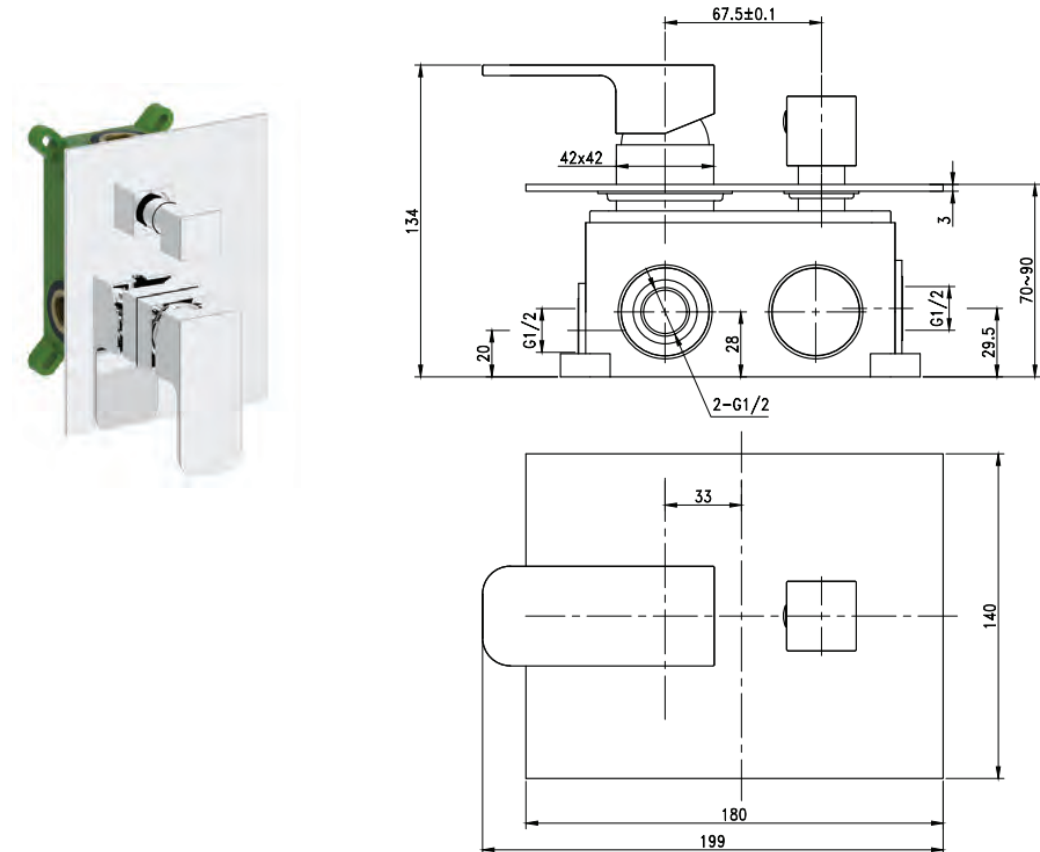
Dallas Plus Concealed Shower Faucet

NM30201



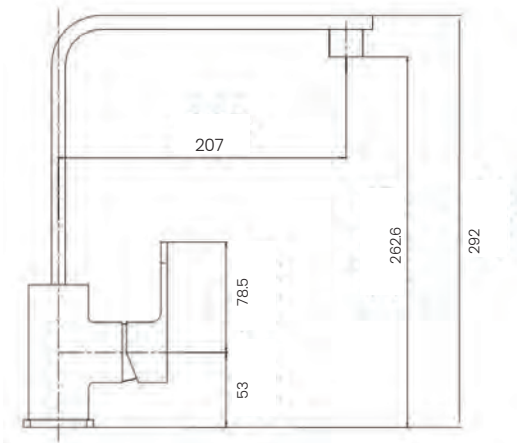
Dallas Plus Concealed Shower Faucet

NM30200



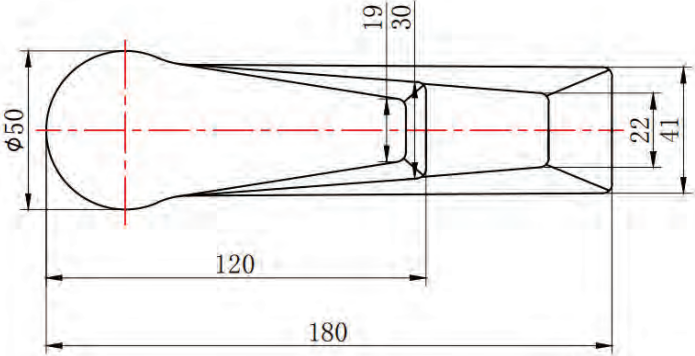
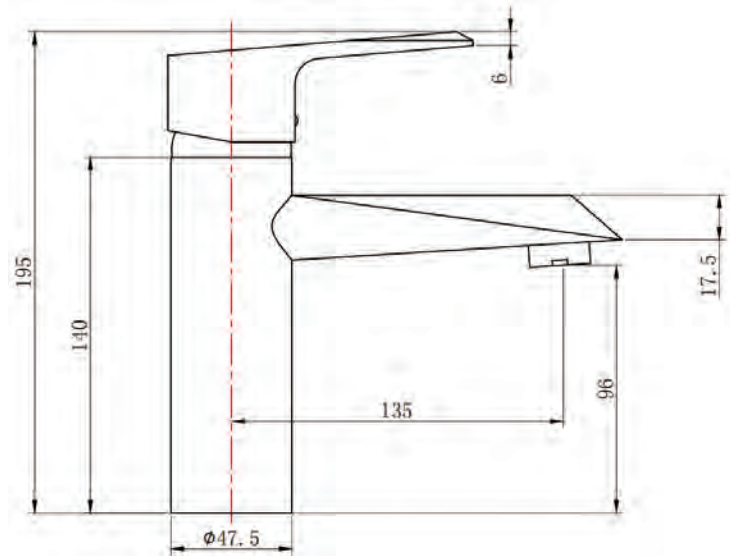
Dallas Plus Lateral Kitchen Faucet

NM30223



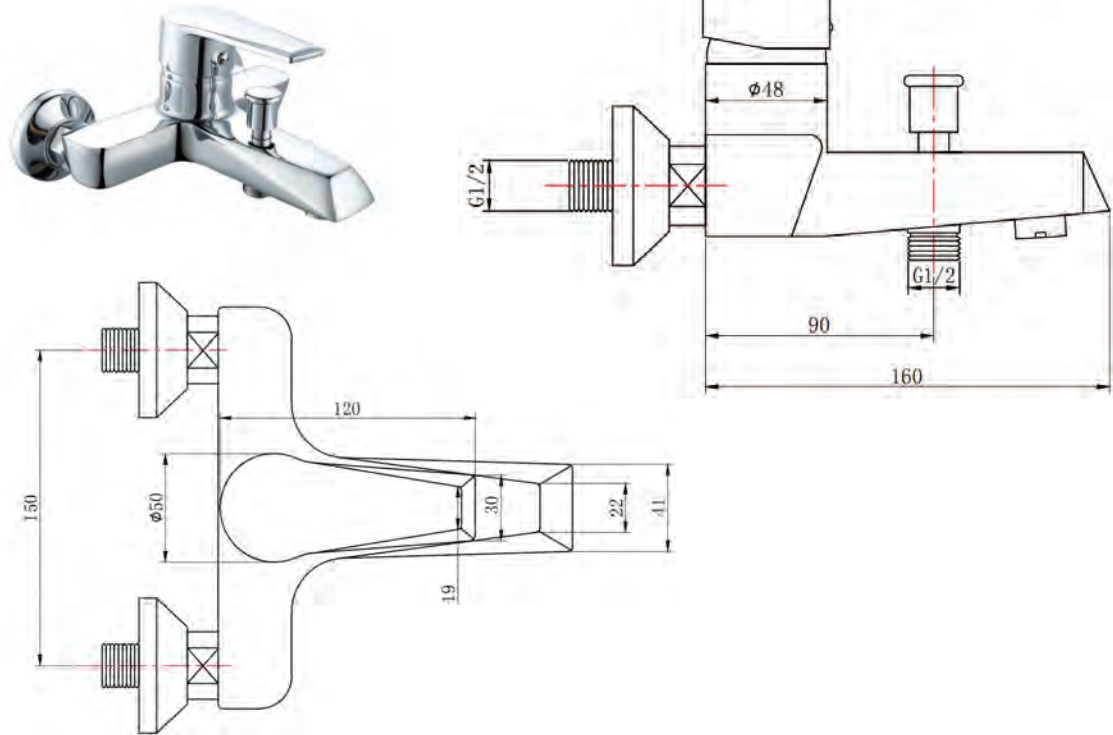
Miami Wash Basin Faucet

NM70005



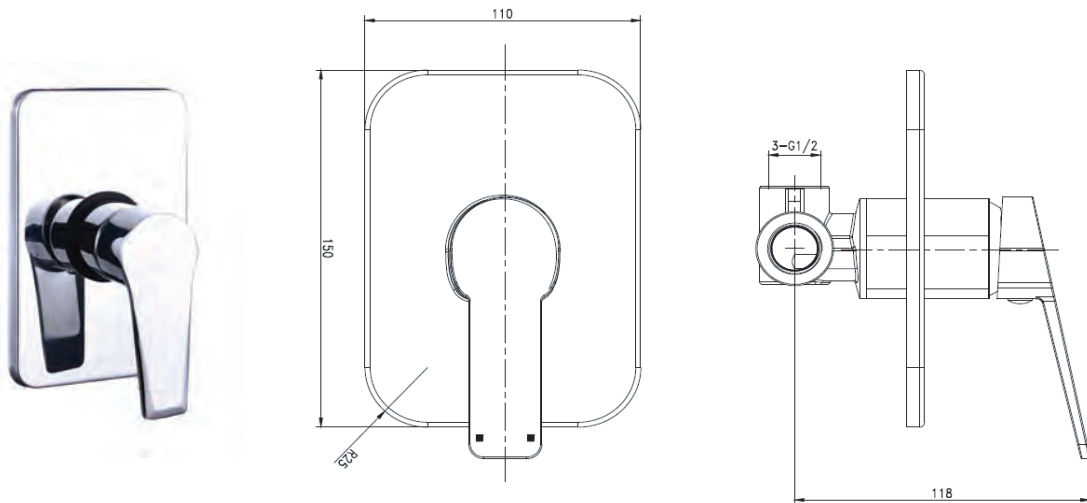
Miami Bath & Shower Faucet

NM69055



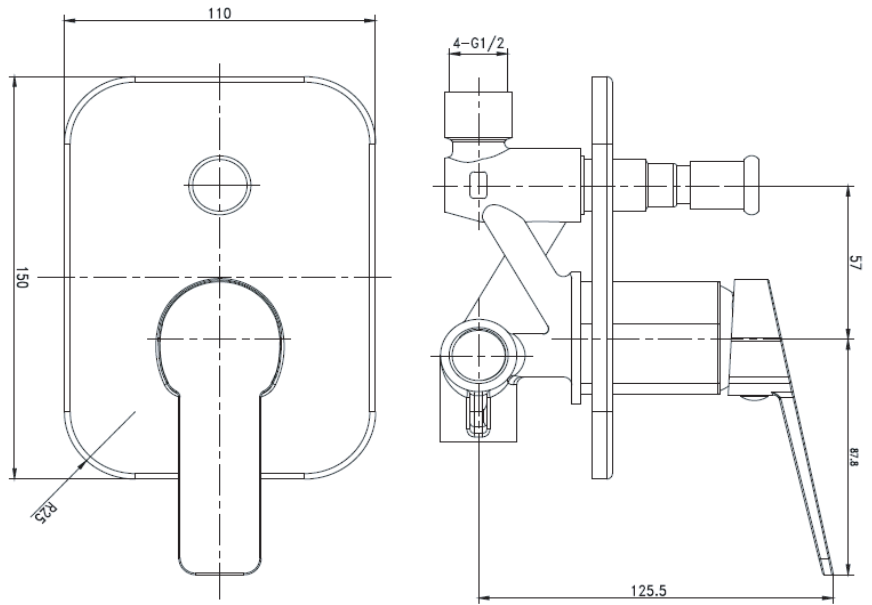
Miami Concealed Shower Faucet

NM69001



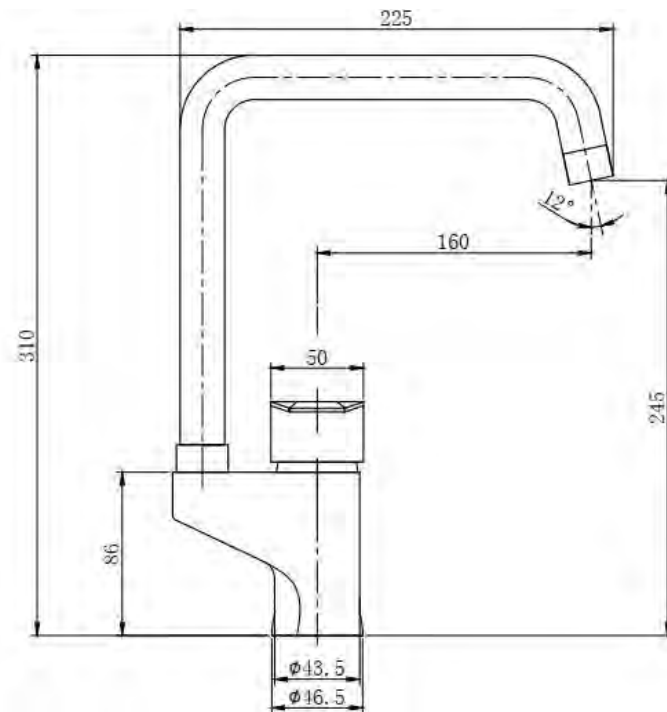
Miami Concealed Shower Faucet

NM69000



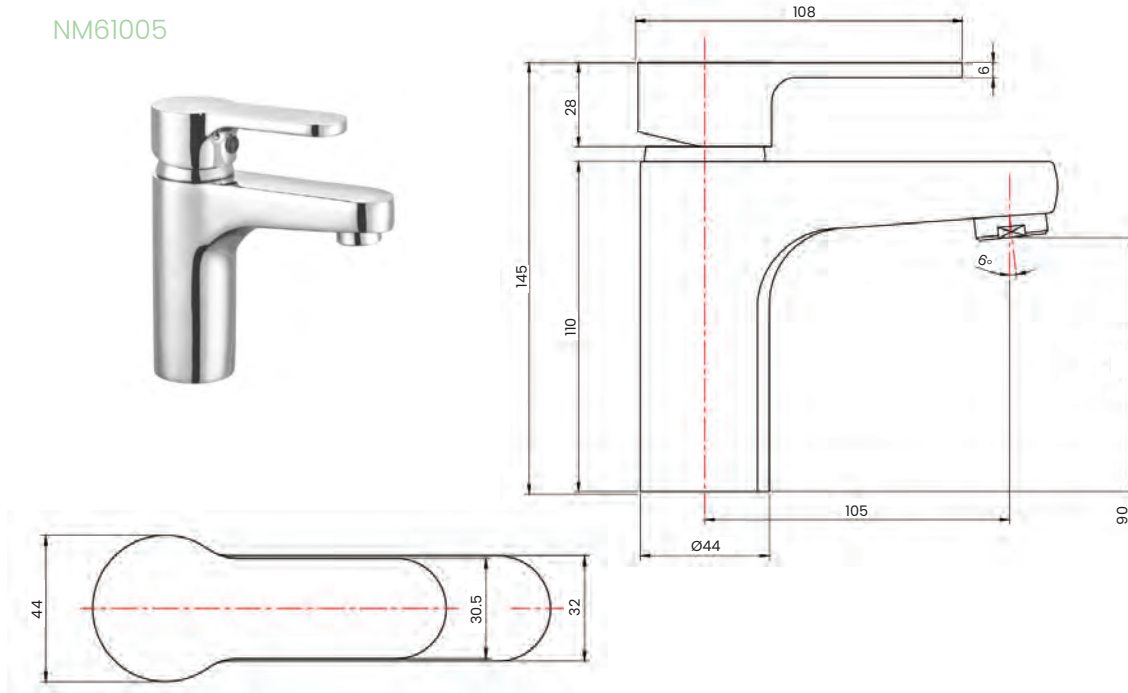
Miami Kitchen Lateral Faucet

NM30256



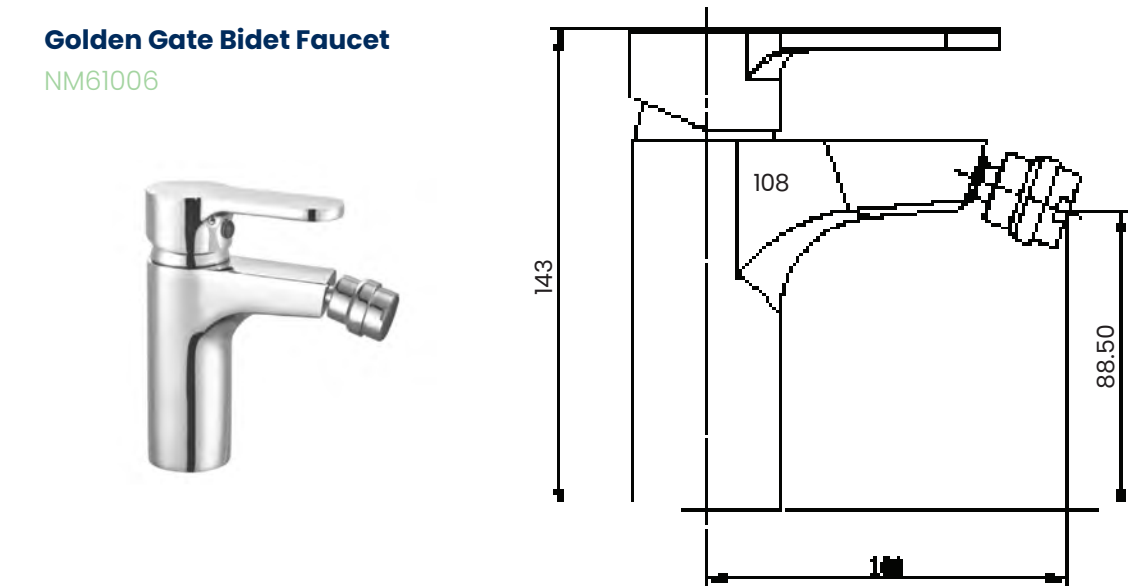
Golden Gate Wash Basin Faucet

NM61005



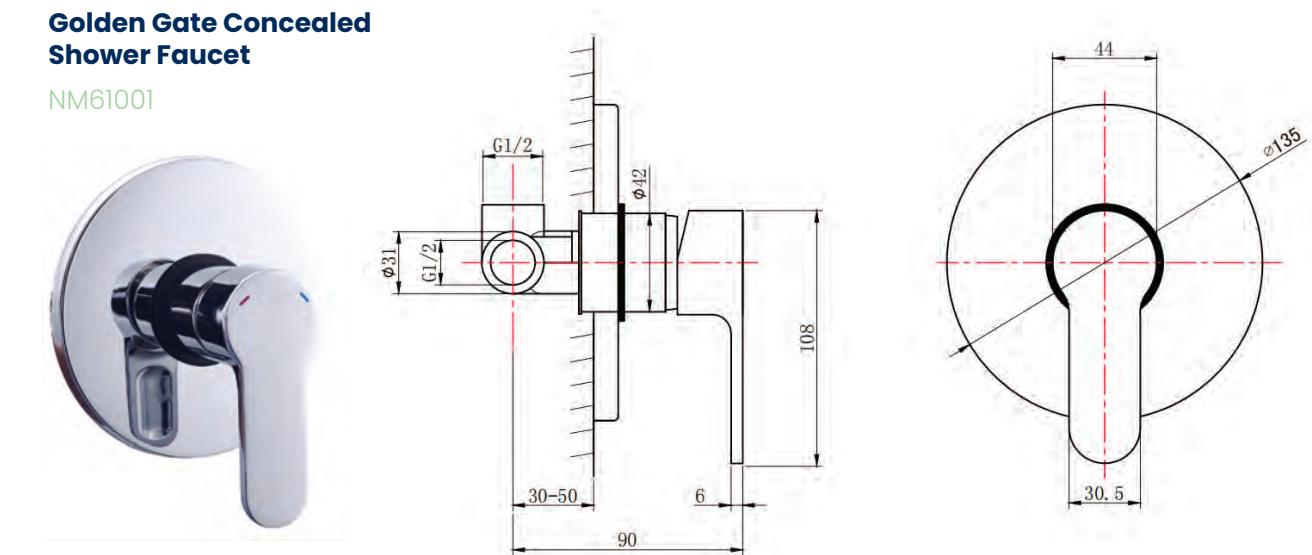
Golden Gate Bidet Faucet

NM61006



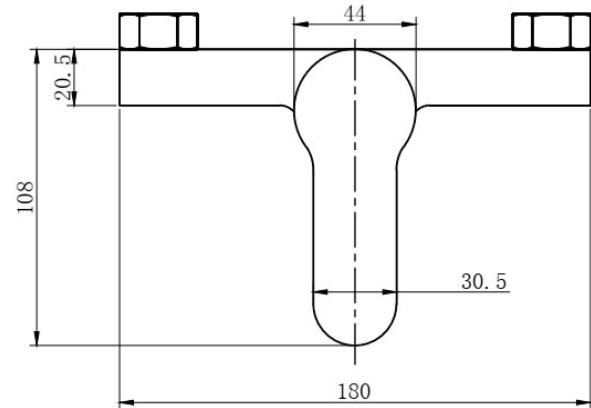
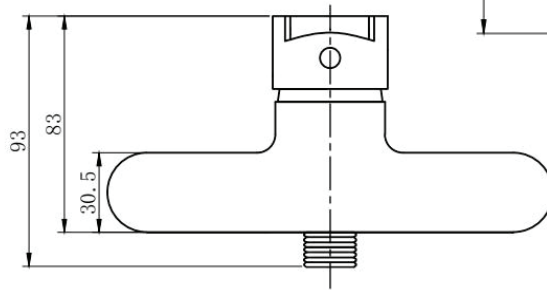
Golden Gate Concealed Shower Faucet

NM61001



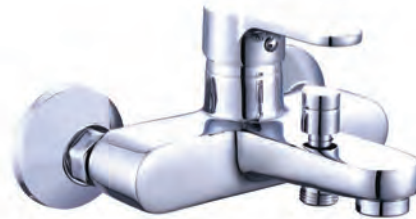
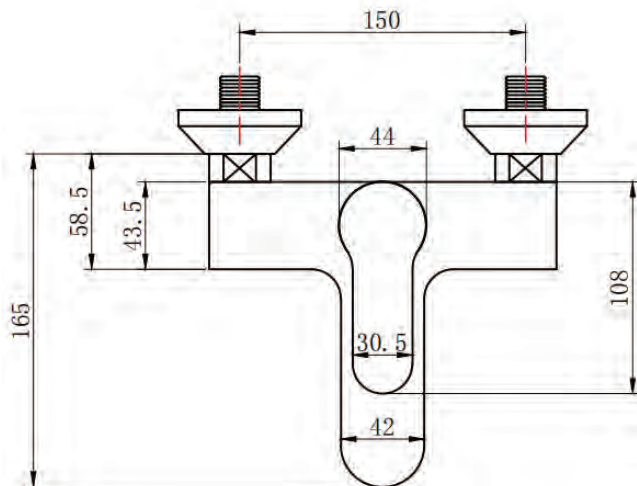
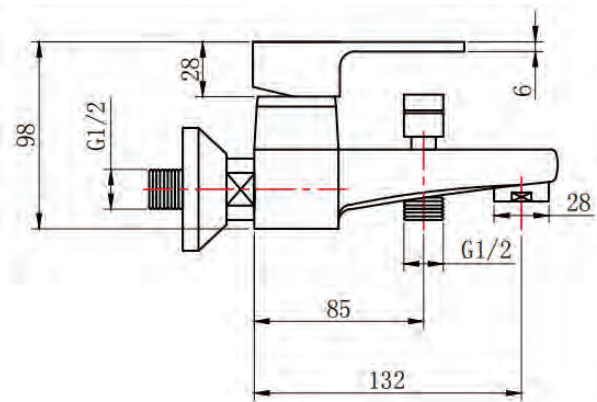
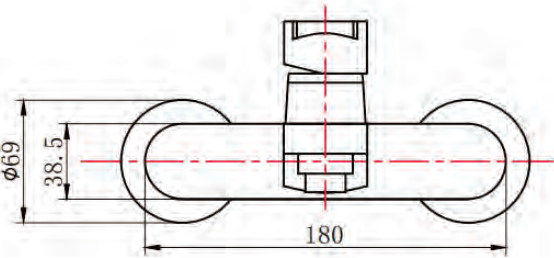
Golden Gate Bath & Shower Faucet

NM61056



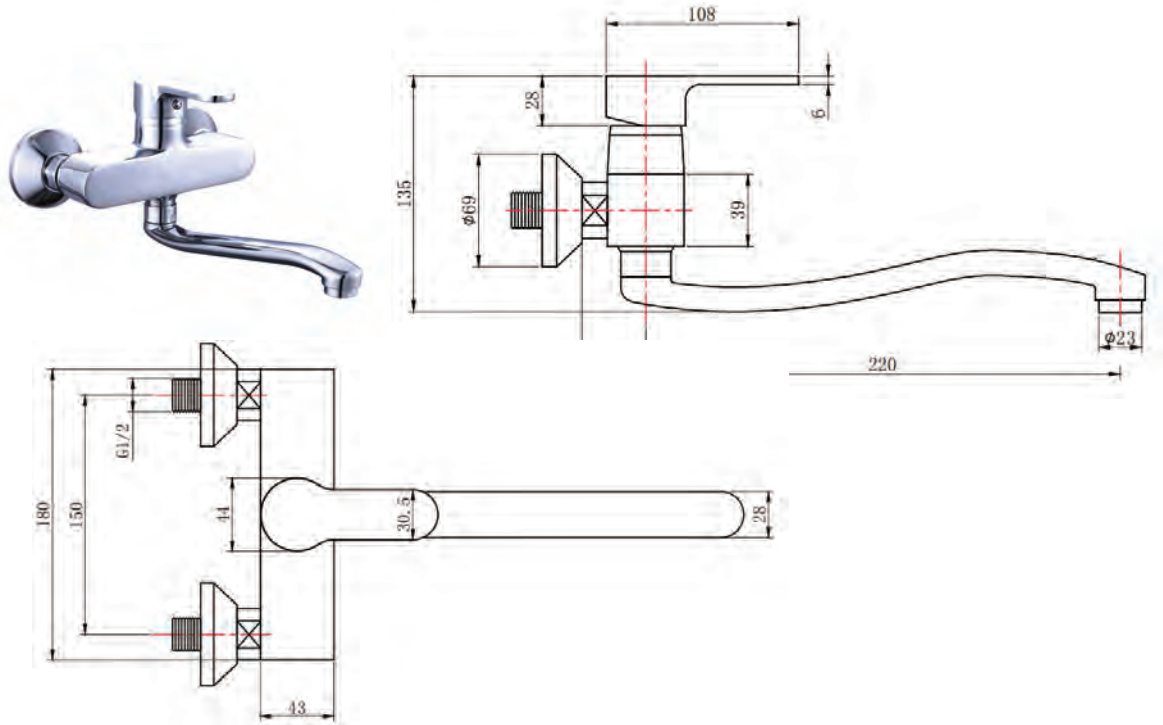
Golden Gate Bath & Shower Faucet

NM61055



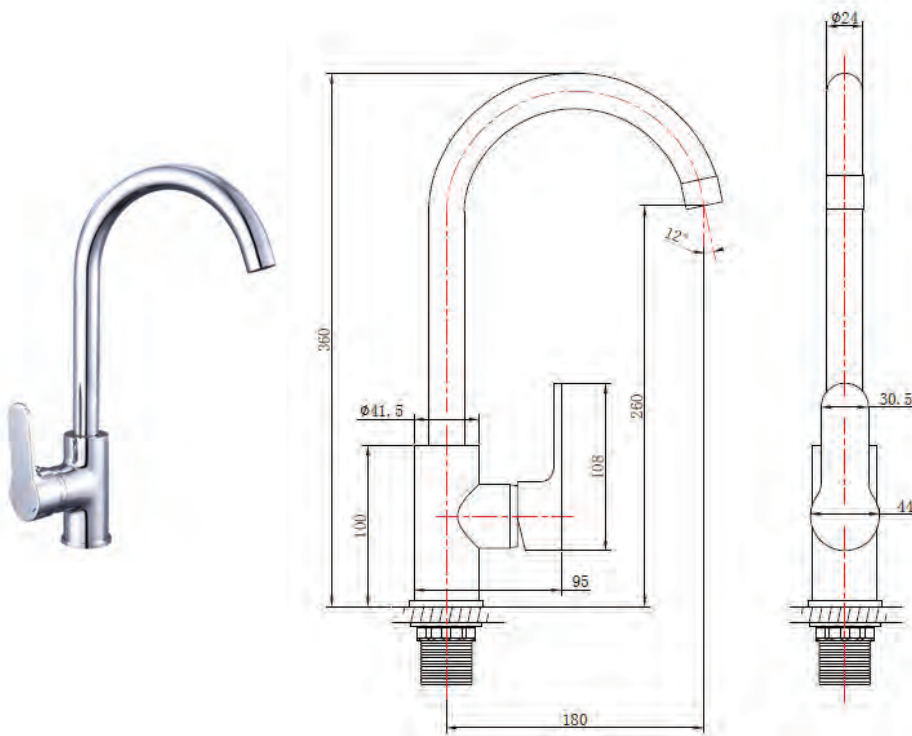
Golden Gate Wall Mounted Kitchen Faucet

NM61024



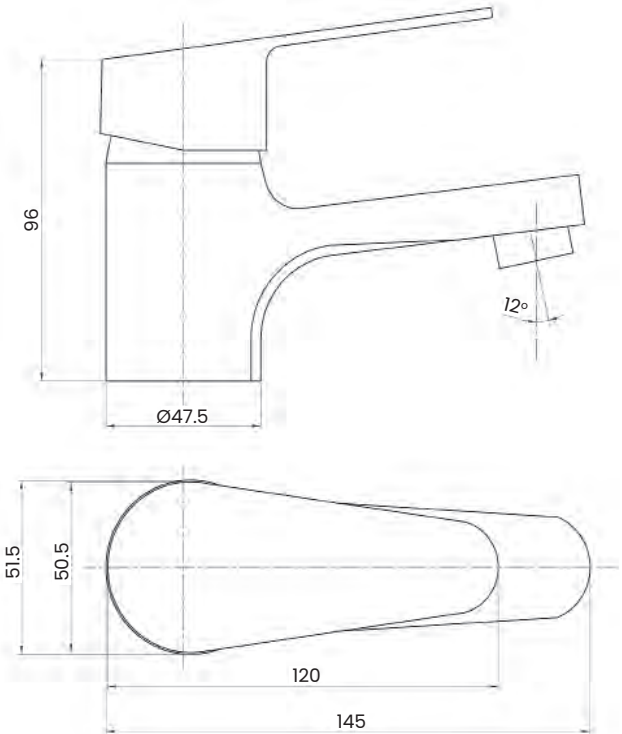
Golden Gate Lateral Kitchen Faucet

NM61023



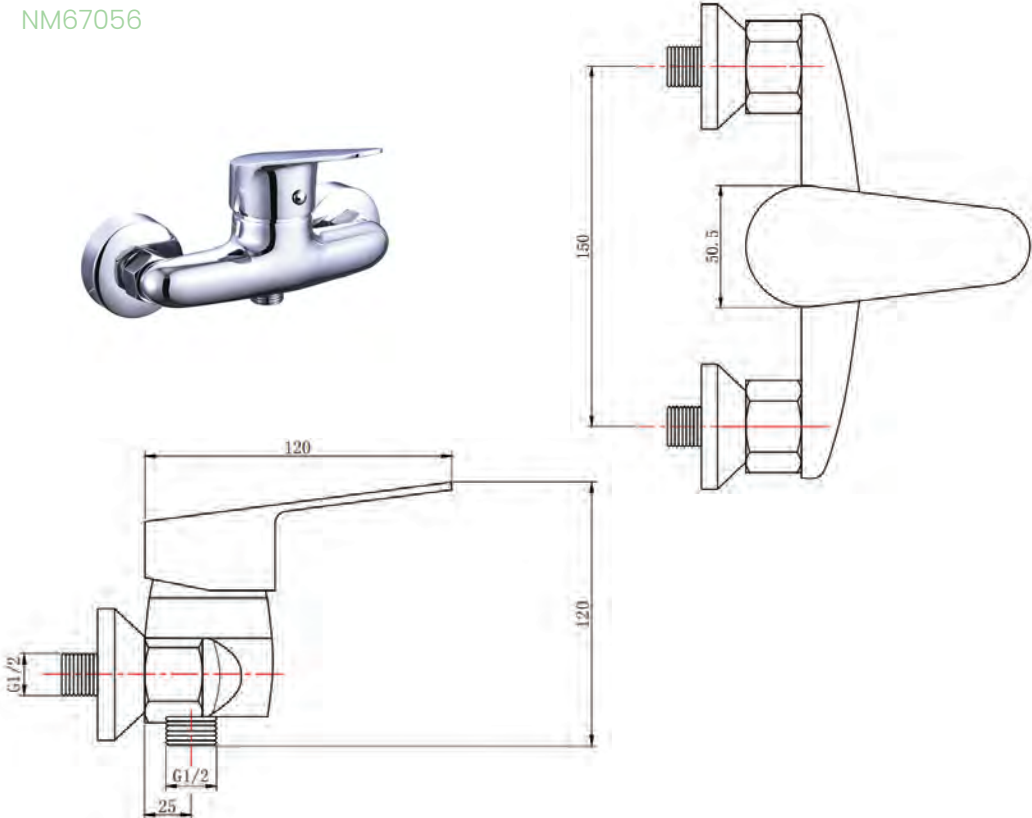
Project Plus Washbasin Fau

NM67005



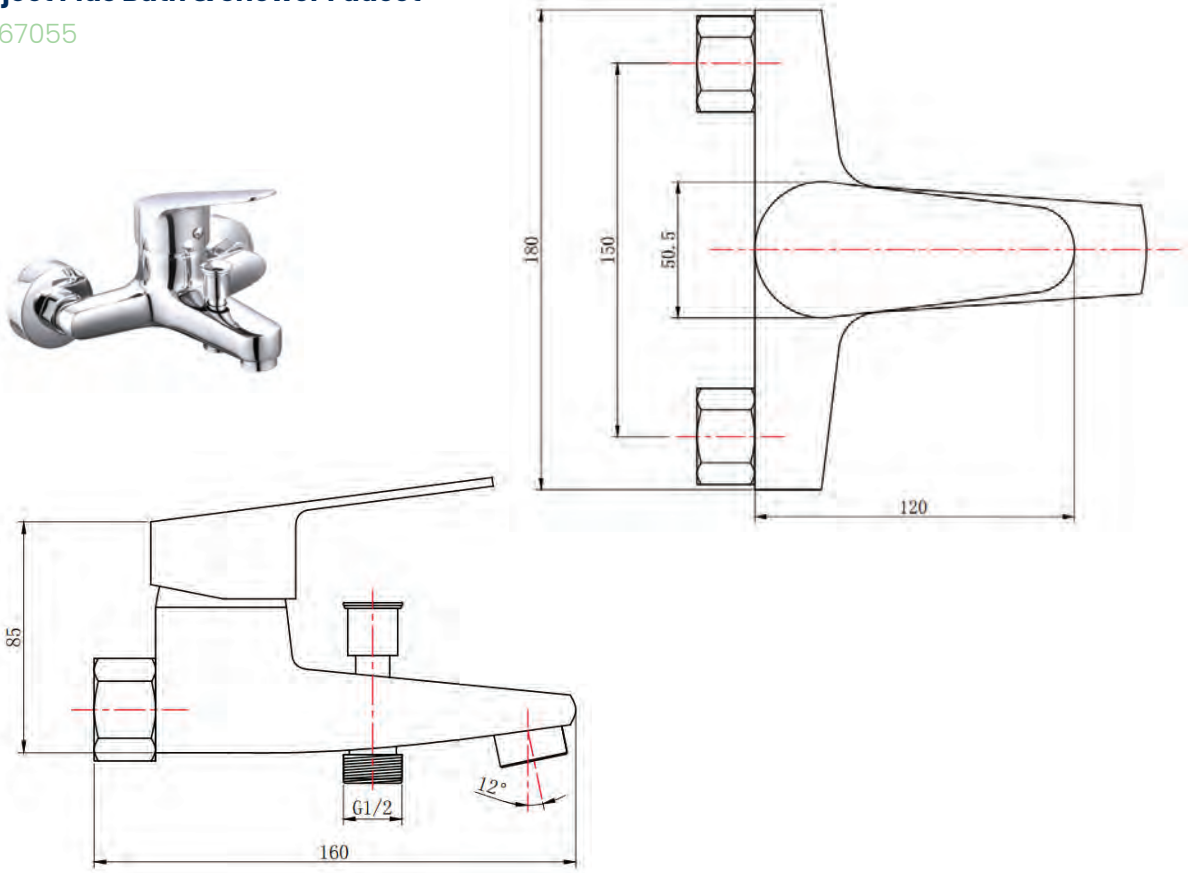
Project Plus Wall Mounted Shower Faucet

NM67056



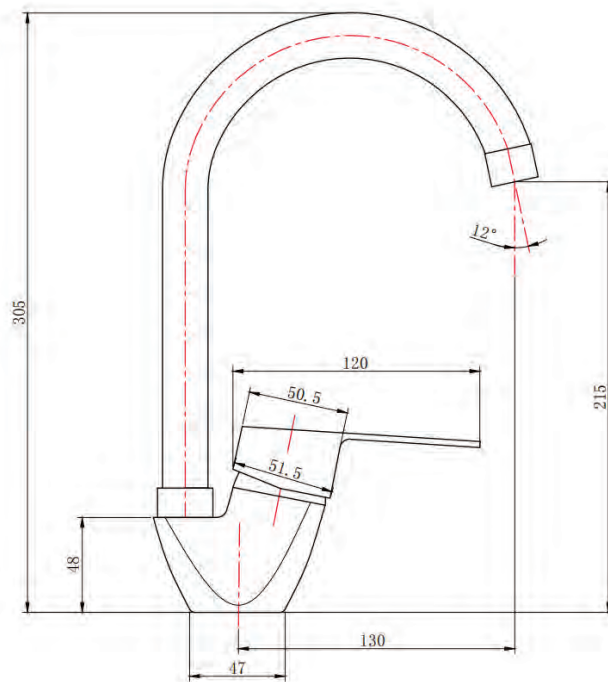
Project Plus Bath & Shower Faucet

NM67055



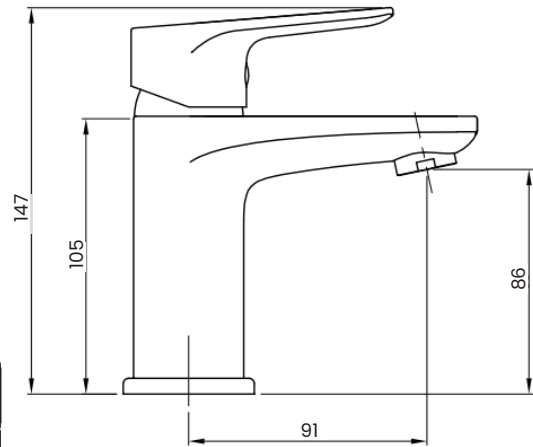
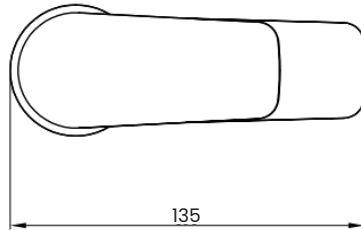
Project Plus Lateral Kitchen Faucet

NM67023



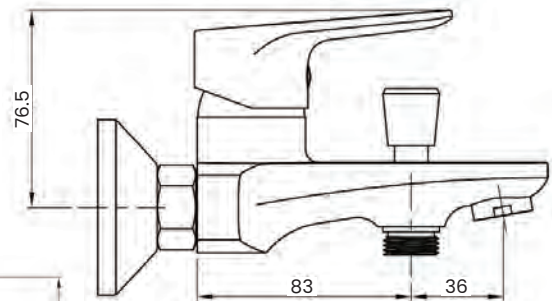
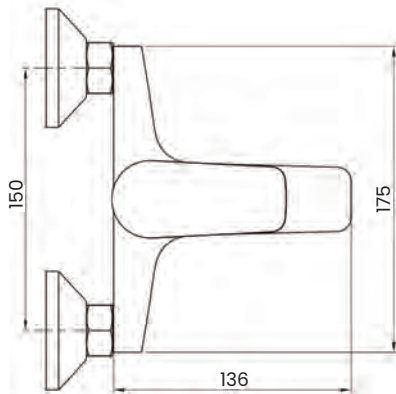
Street Plus Special Washbasin Faucet

NM52005



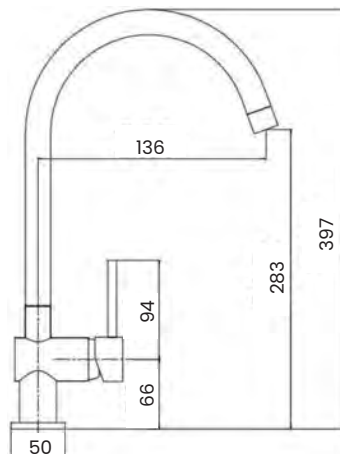
Street Plus Special Wall-Mounted Faucet

NM52056-CPL



Street Plus Special Kitchen Faucet

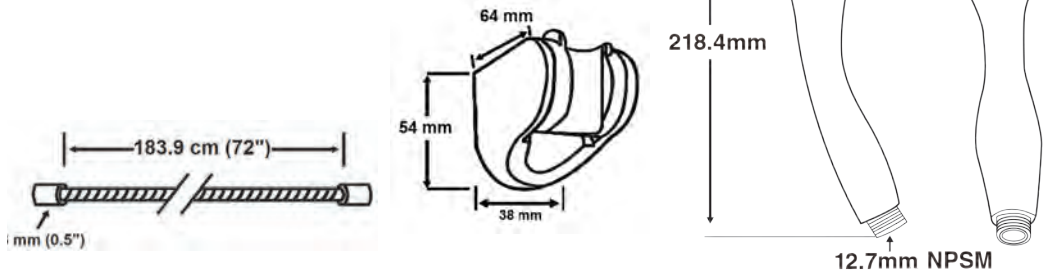
NM52023





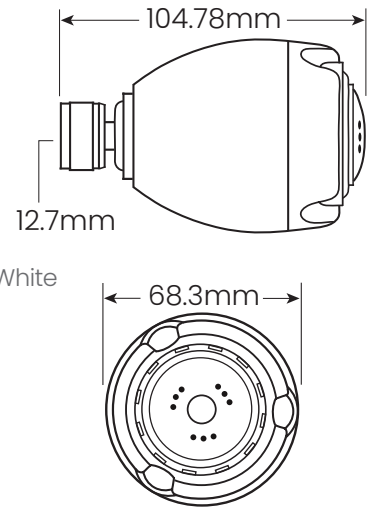
Earth Handheld Showerhead

- N2935ME 7.6LPM White
- N2935CH-ME 7.6 LPM Chrome
- N2945CH-ME 5.7 LPM Chrome



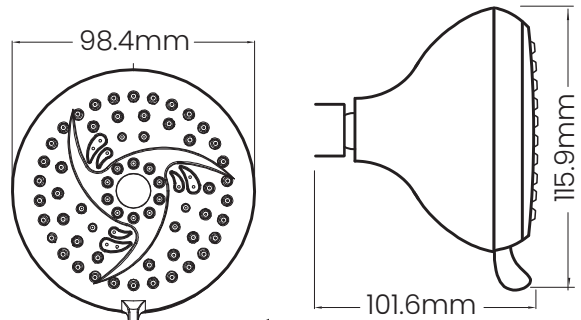
Earth Fixed Mount Showerhead

- N2920 7.6 LPM White
- N2920CH 7.6 LPM Chrome
- N2920CH-TP-ME 7.6 LPM Chrome Tamperproof
- N2915 5.7 LPM 5.6 LPM White
- N2920-V 7.6 LPM 7.6 LPM with Soap & Soak Valve, White



Vara Spa Fixed Mount Showerhead

- N9620CH 7.6 LPM Chrome



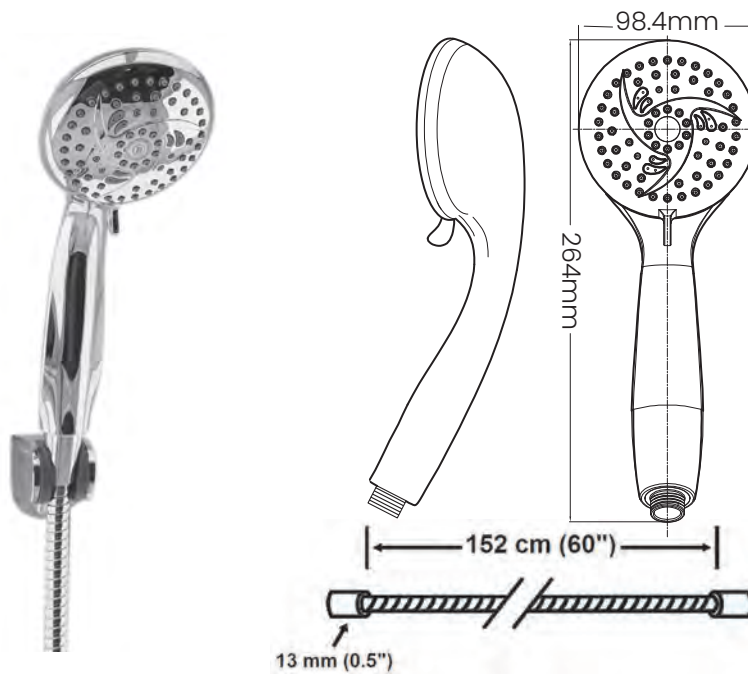
Vara Spa Combo Showerhead

N9720CH-HH 7.6 LPM Chrome



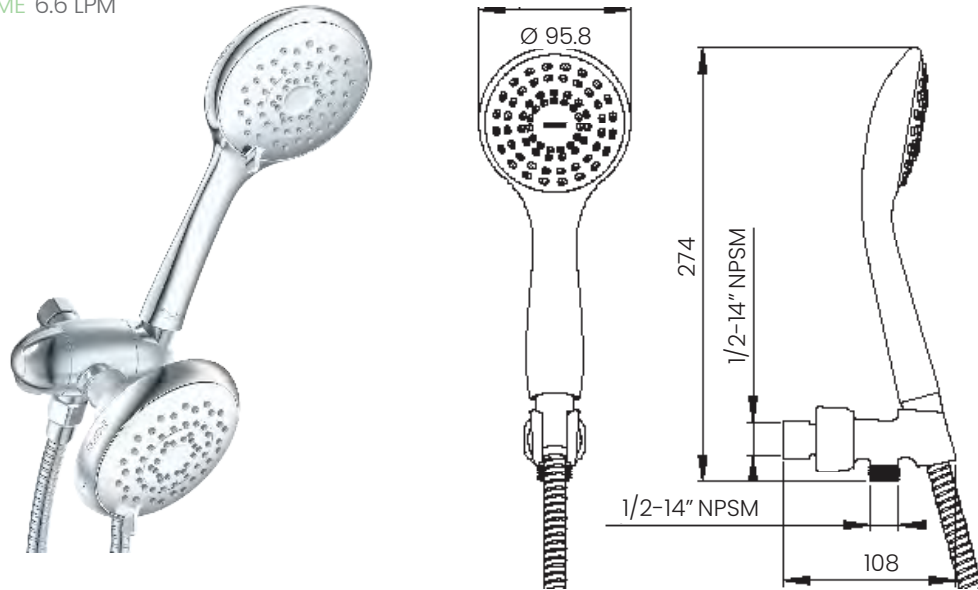
Vara Spa Handheld Showerhead

N9620CH-HH 7.6 LPM Chrome



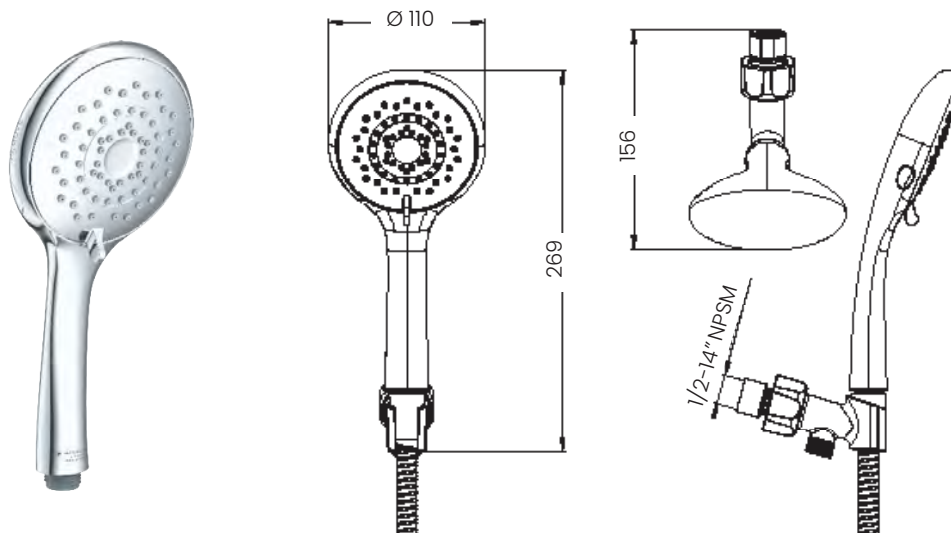
Healthguard Combo

N9917CH-CB-ME 6.6 LPM



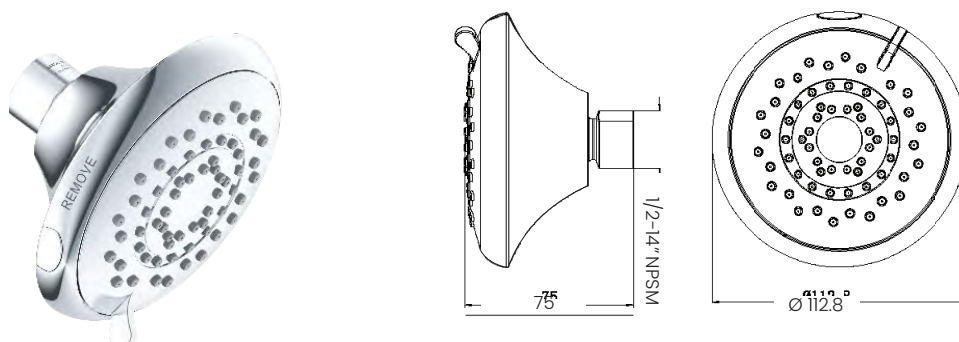
Healthguard Handheld

N9917CH-HH-ME 6.6 LPM



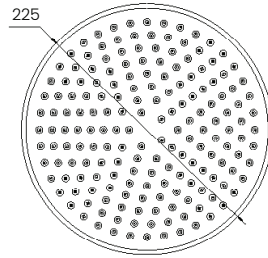
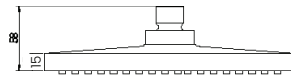
Healthguard Fixed Mount

N9917CH-ME 6.6 LPM



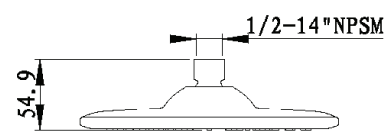
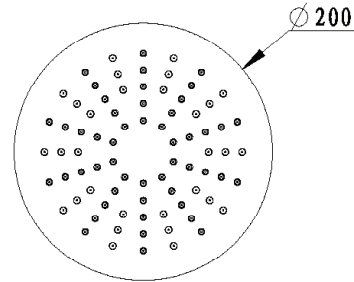
8" Rain Shower

NT7116 6.5 LPM



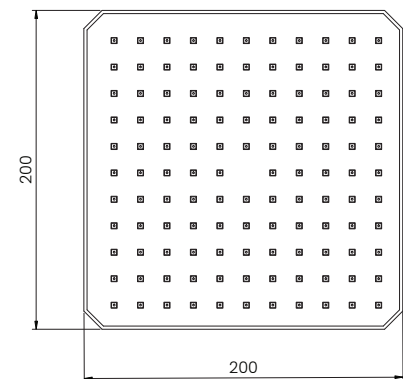
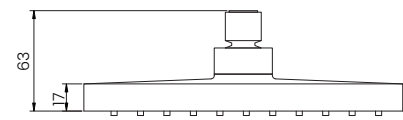
8" Rain Shower

V0200 6.6 LPM



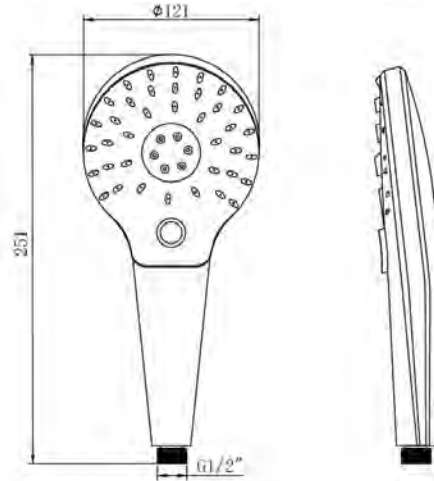
Rain Shower

NT7121 6.5 LPM



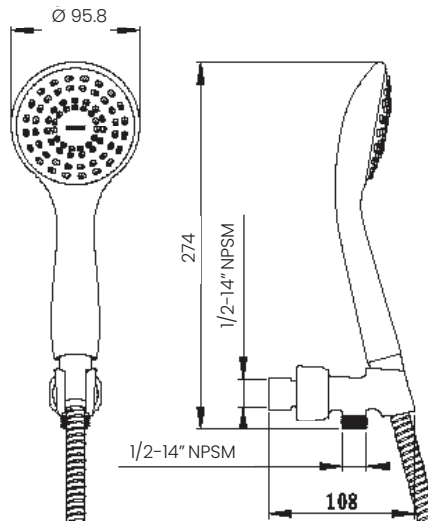
1 Function Hand Shower

NT7120 6.6 LPM



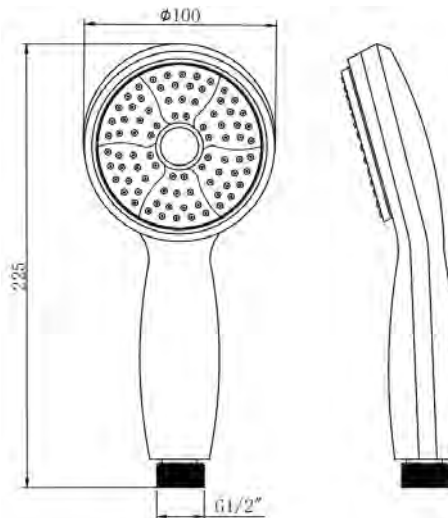
1 Function Hand Shower

NT700 6.6 LPM



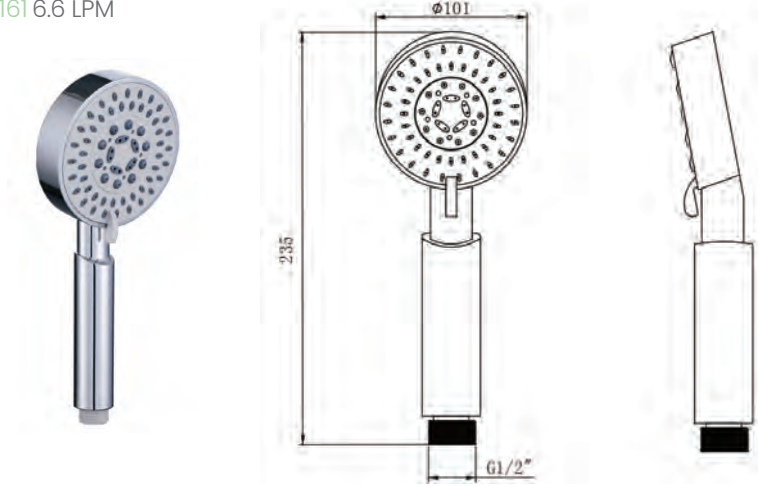
1 Function Hand Shower

NT7119 6.6 LPM



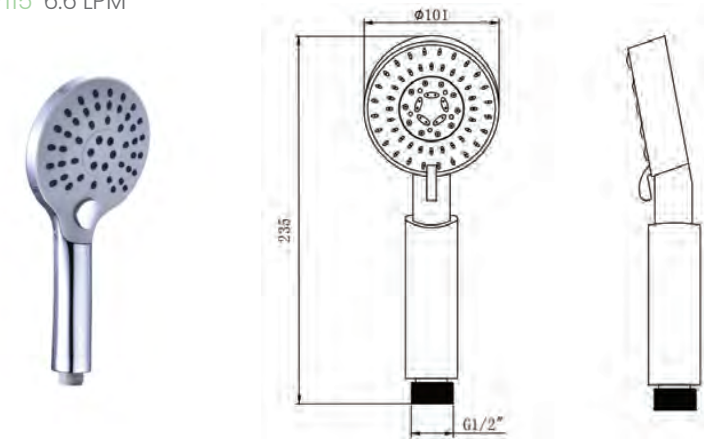
3 Functions Hand Shower

NT7161 6.6 LPM



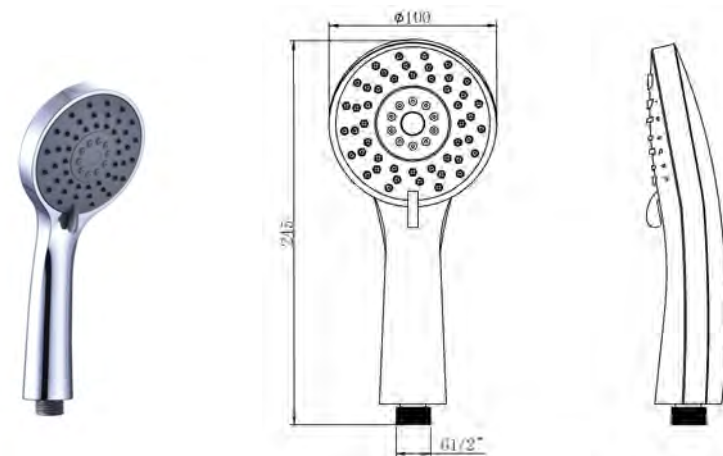
3 Functions Hand Shower

NT7115 6.6 LPM



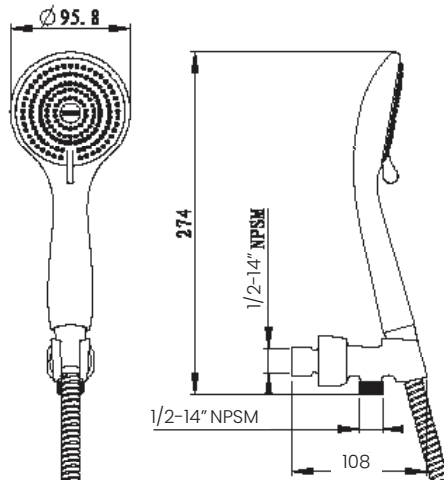
3 Functions Hand Shower

NT7118 6.6 LPM



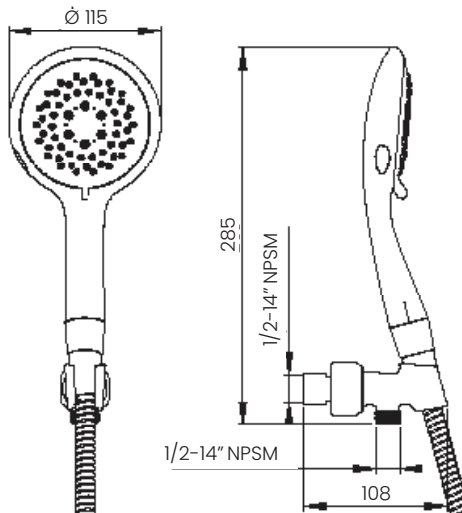
3 Functions Hand Shower

W0701 6.6 LPM



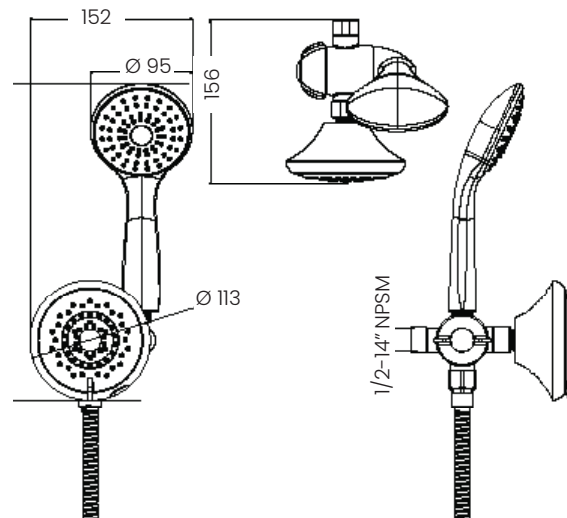
5 Function Hand Shower

W0800 6.6 LPM



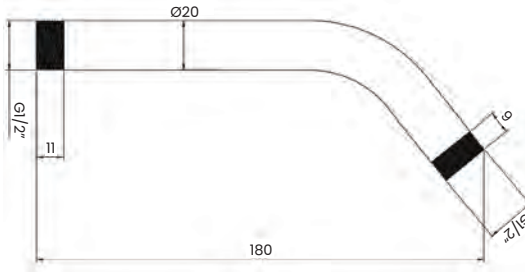
5 Function Hand Shower

W0400 6.6 LPM



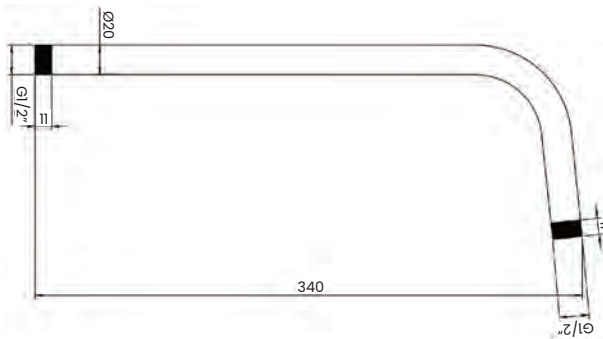
6" Shower Arm

NT7122



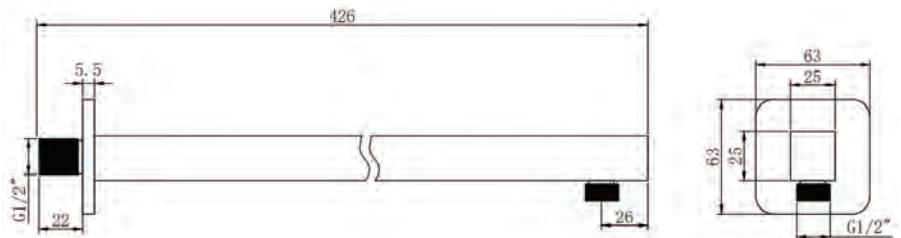
Shower Arm

NT7123



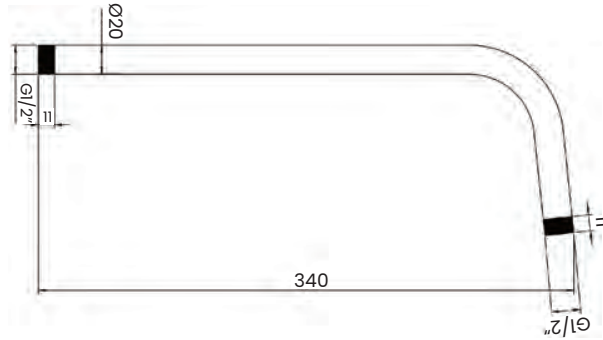
Shower Arm

NT7124



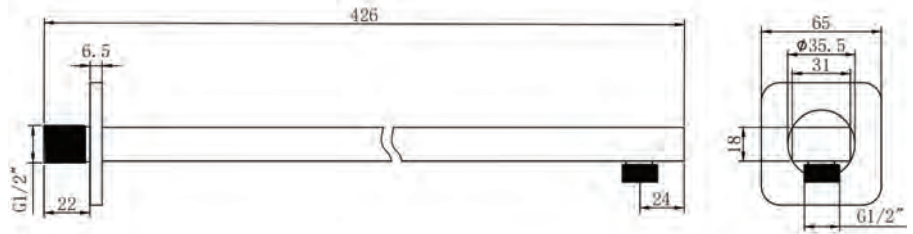
Shower Arm

NT7123



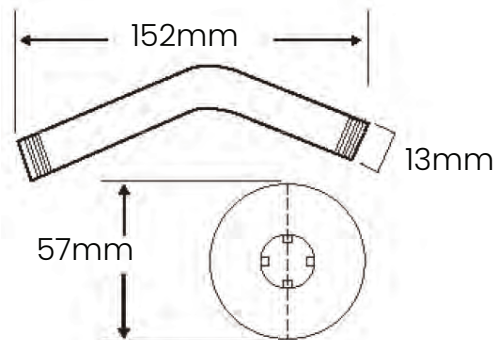
Shower Arm

NT7125



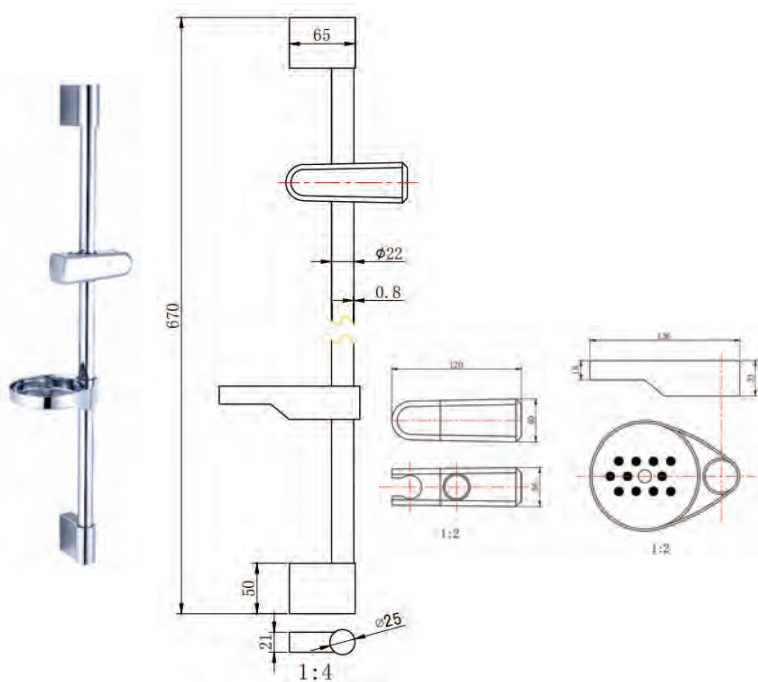
Shower Arm

N3162



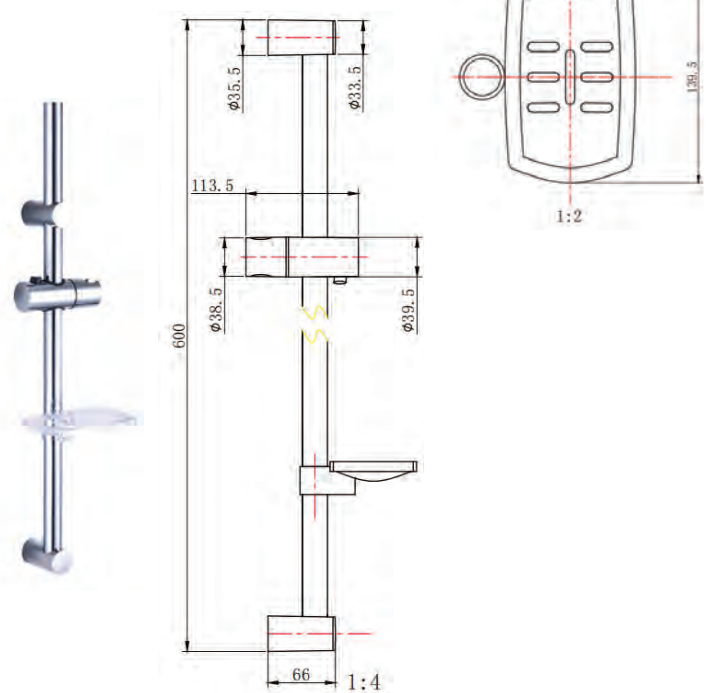
Sliding Shower Rail

NT7126



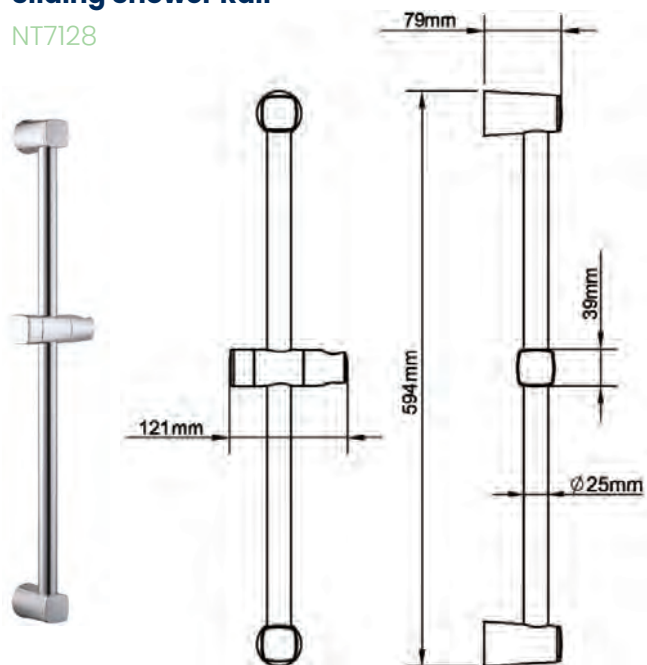
Sliding Shower Rail

NT7127



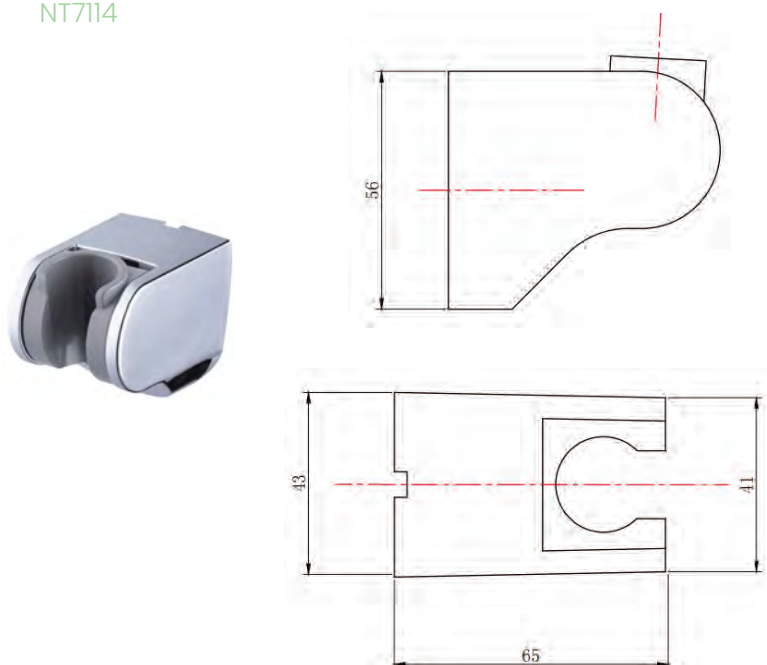
Sliding Shower Rail

NT7128



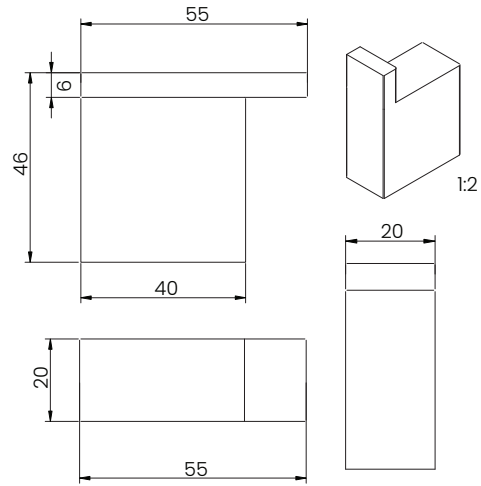
Shower Wall Bracket

NT7114



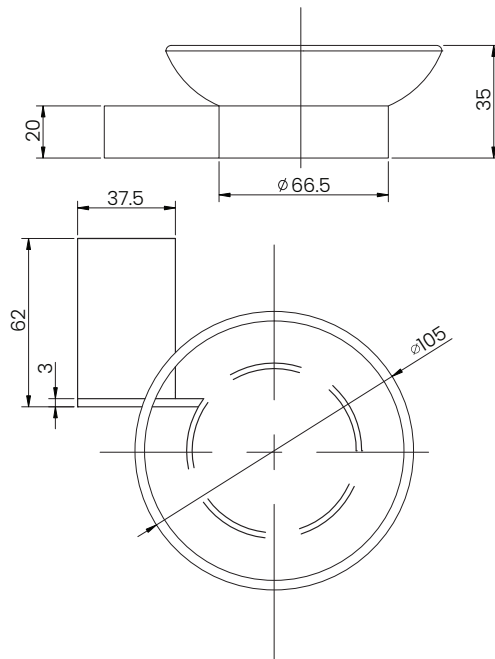
Liberty Single Hook

NE6402



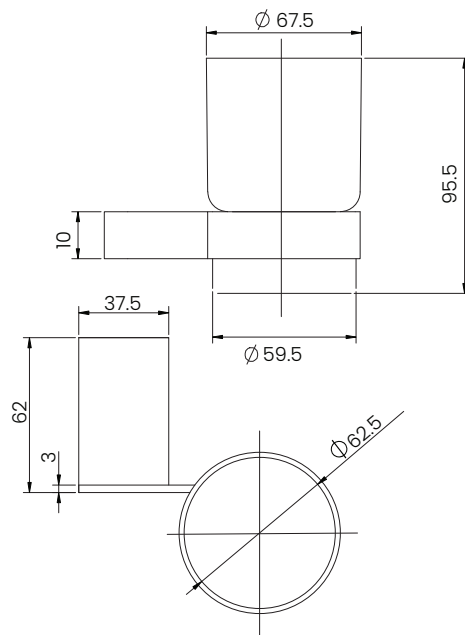
Liberty Round Glass Soap Dish

NE6403



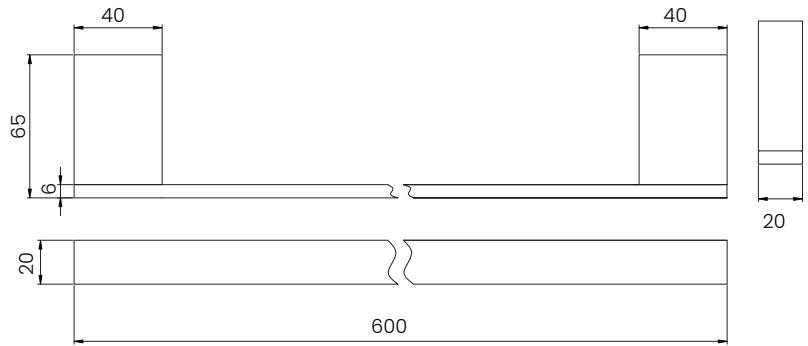
Liberty Glass Toothbrush Holder

NE6404



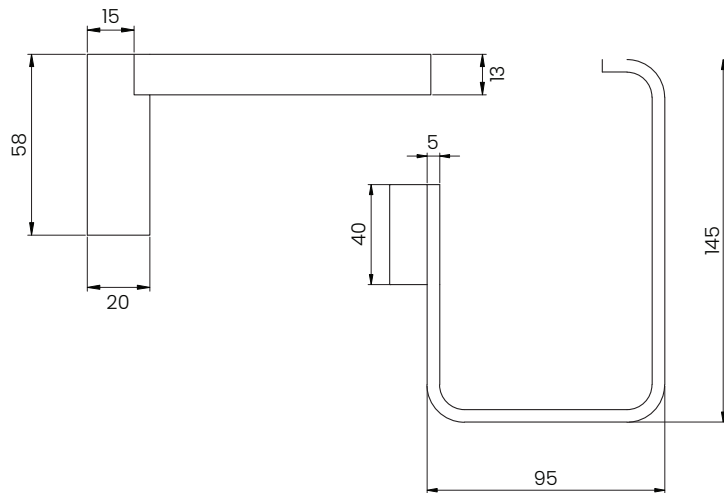
Liberty Chrome-Plated Towel Bar

NE6405



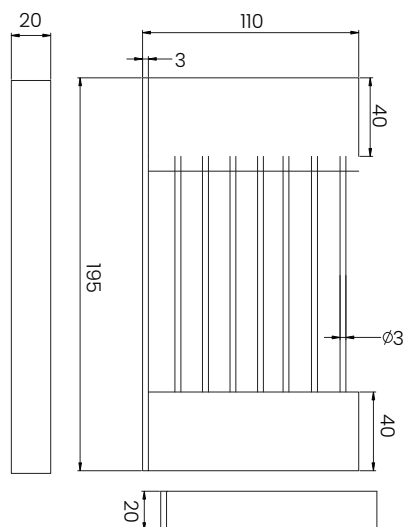
Liberty Toilet Tissue Holder

NE6407



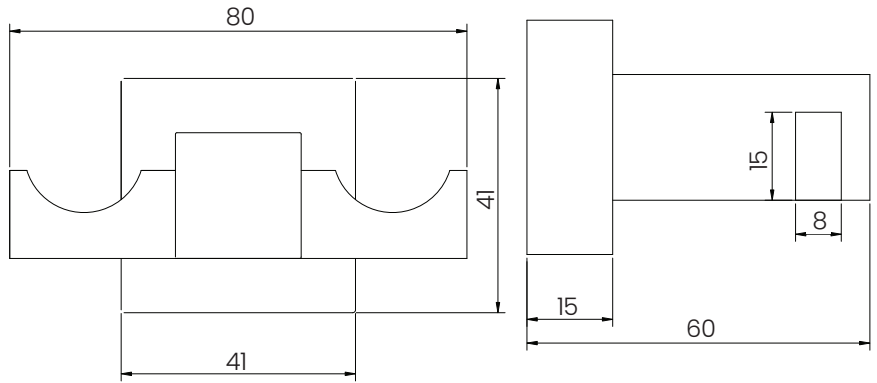
Liberty Chrome-Slotted Soap Basket

NE6410



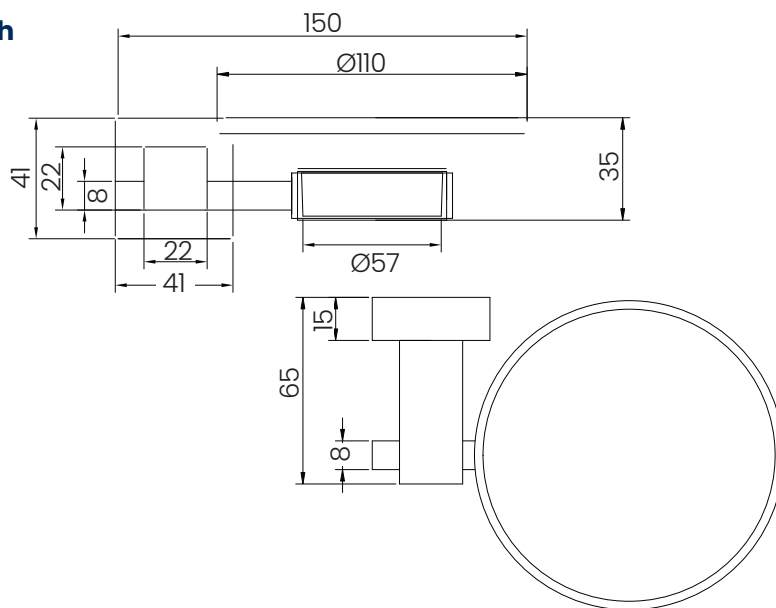
Manhattan Chrome Double Hook

NE6301



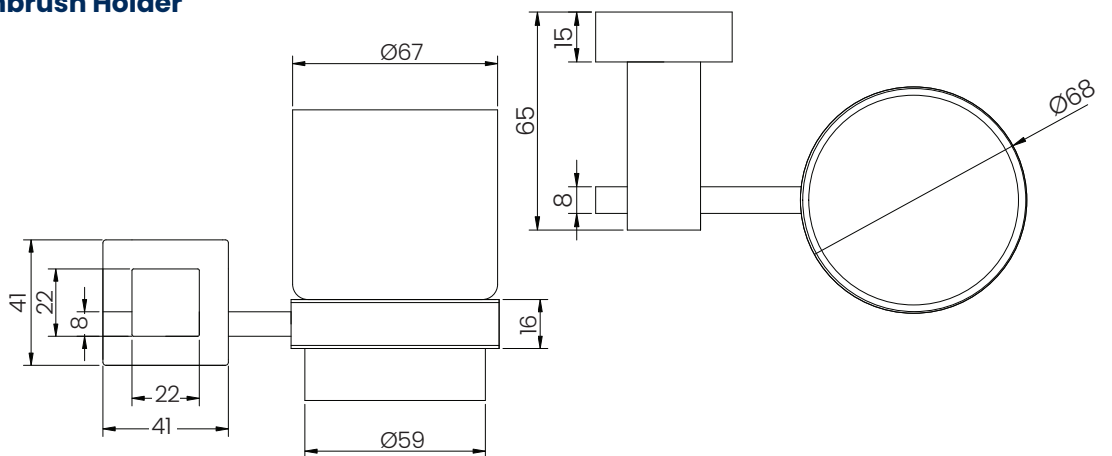
Manhattan Round Glass Soap Dish

NE6303



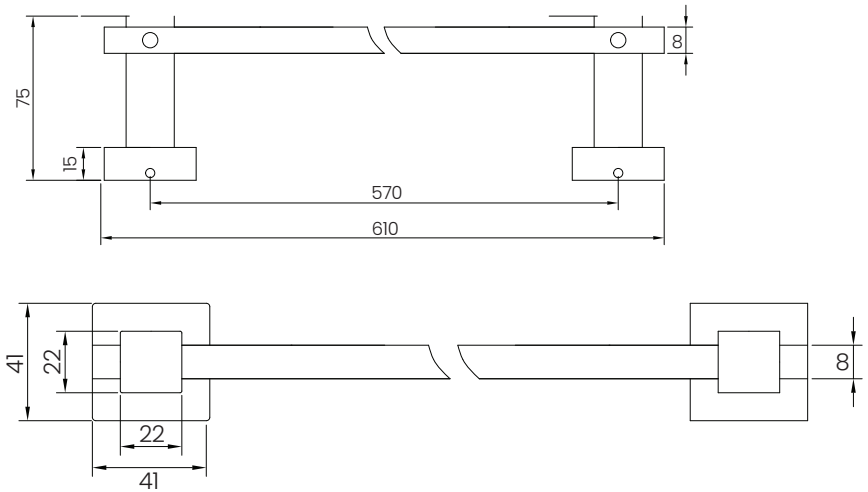
Manhattan Glass Toothbrush Holder

NE6304



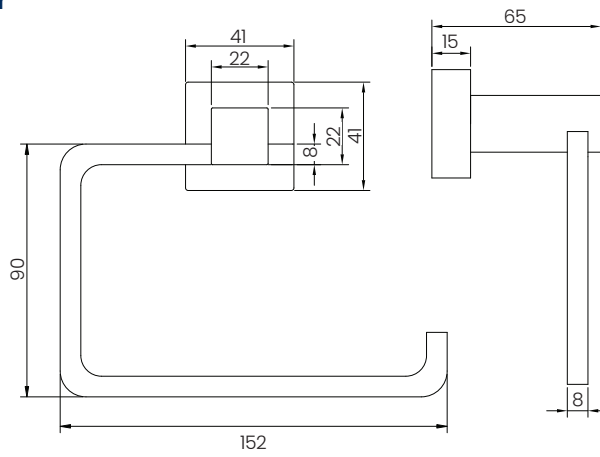
Manhattan Towel Bar

NE6305



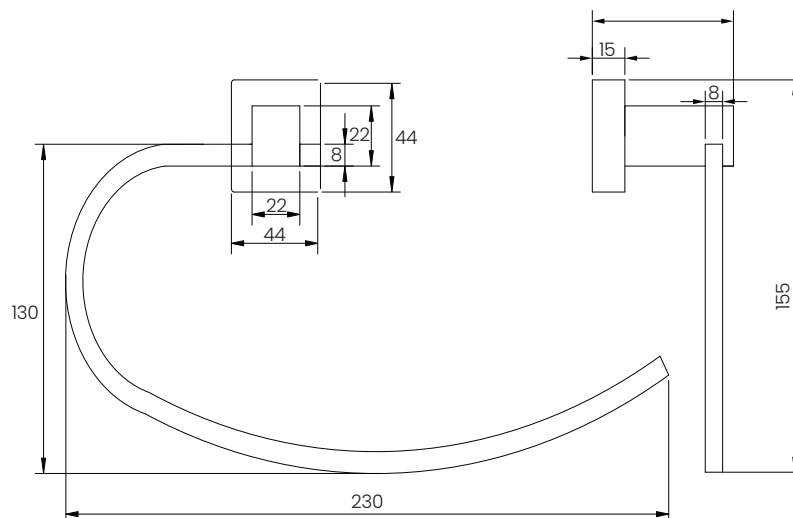
Manhattan Toilet Tissue Holder

NE6307



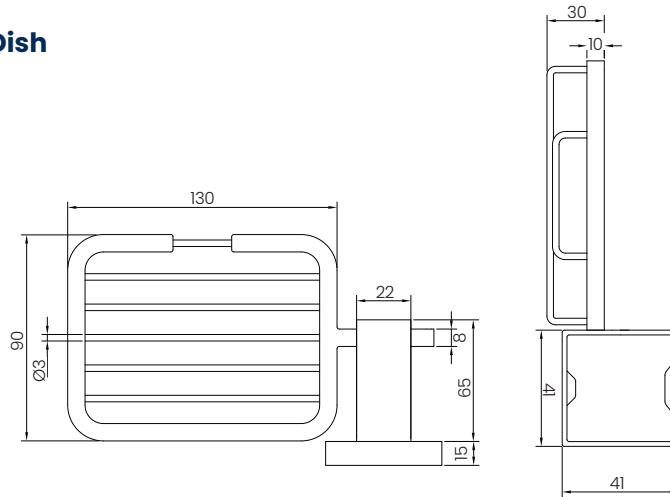
Manhattan Towel Ring

NE6312



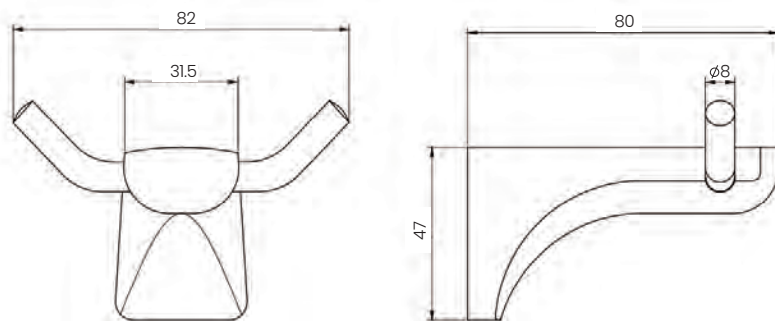
Manhattan Chrome Slotted Soap Dish

NE6310



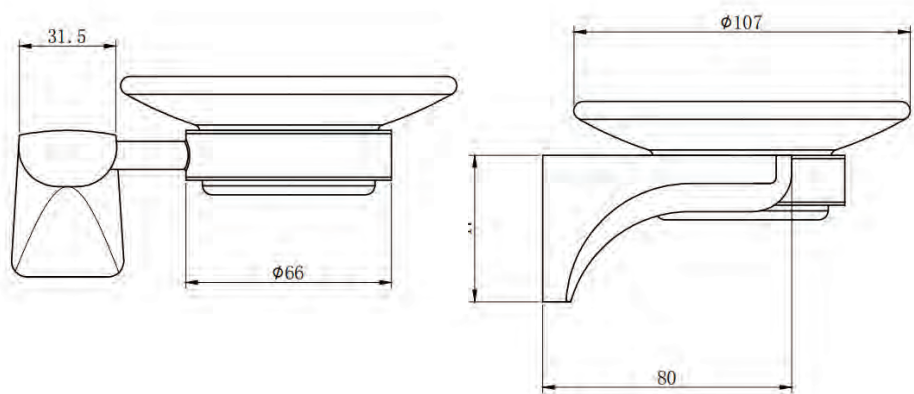
Dallas Double Robe Hook

NE6701



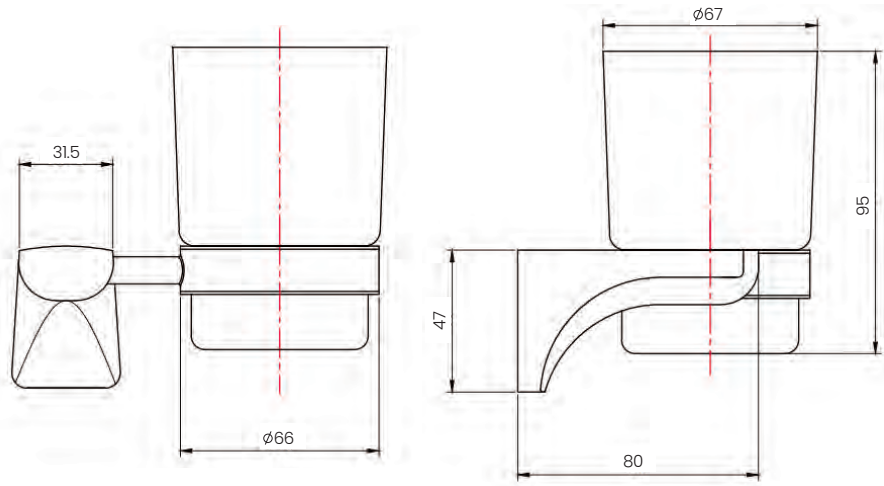
Dallas Round Glass Soap Dish

NE6703



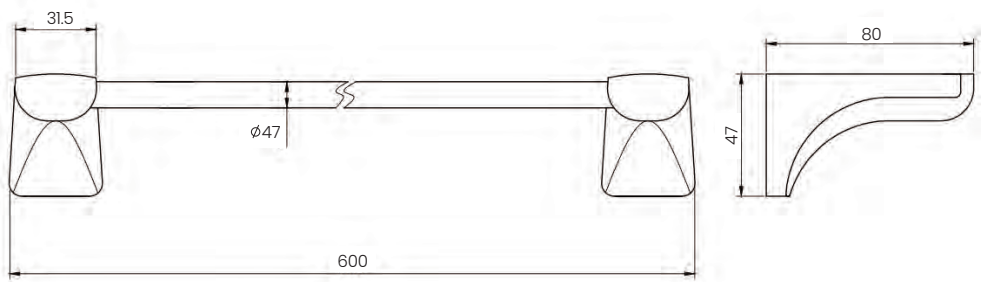
Dallas Glass Toothbrush Holder

NE6704



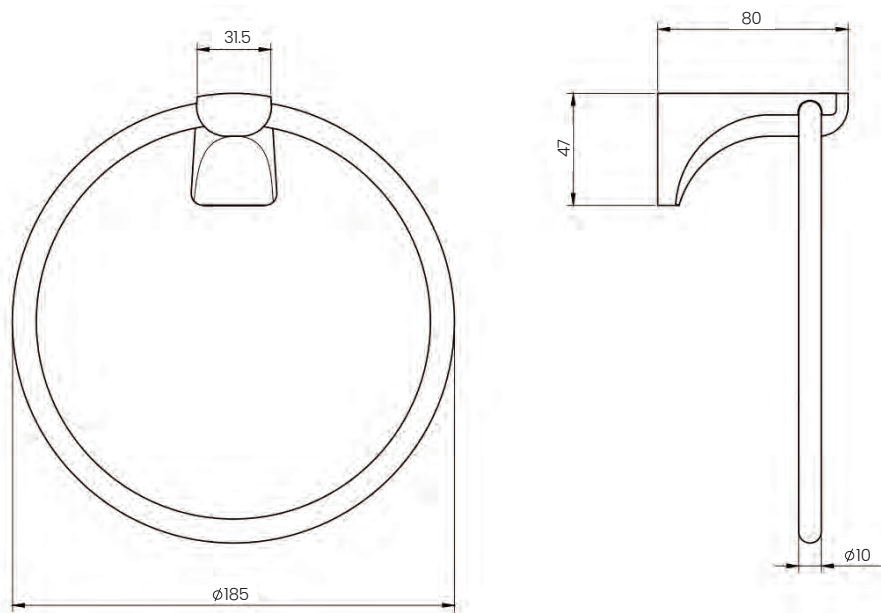
Dallas Towel Bar

NE6705



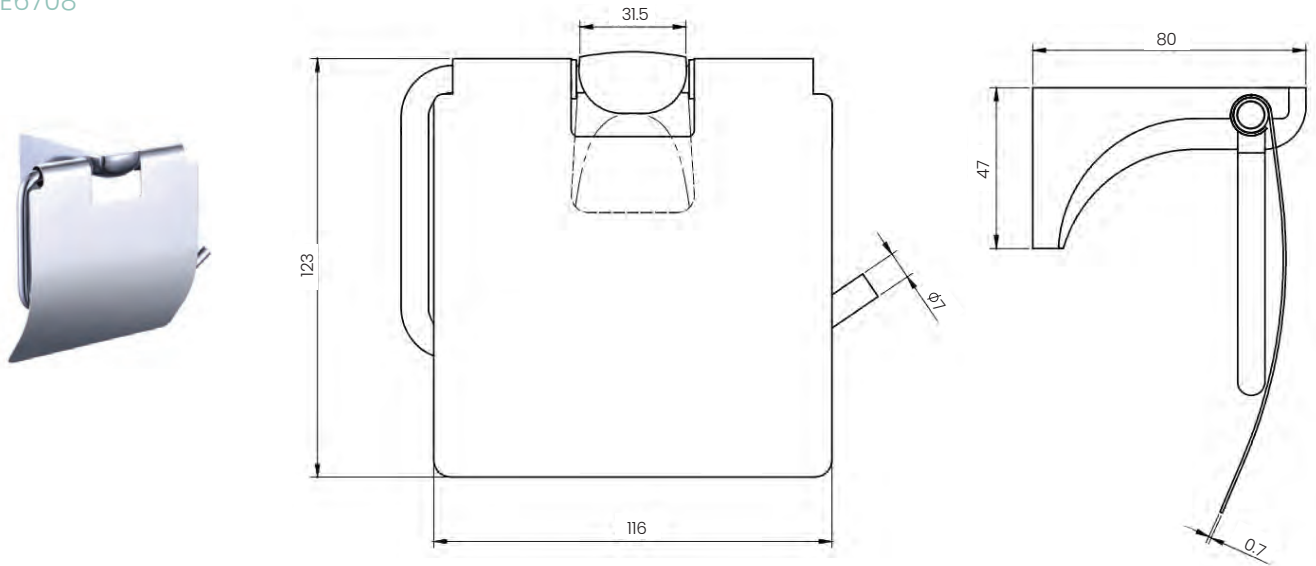
Dallas Towel Ring

NE6712



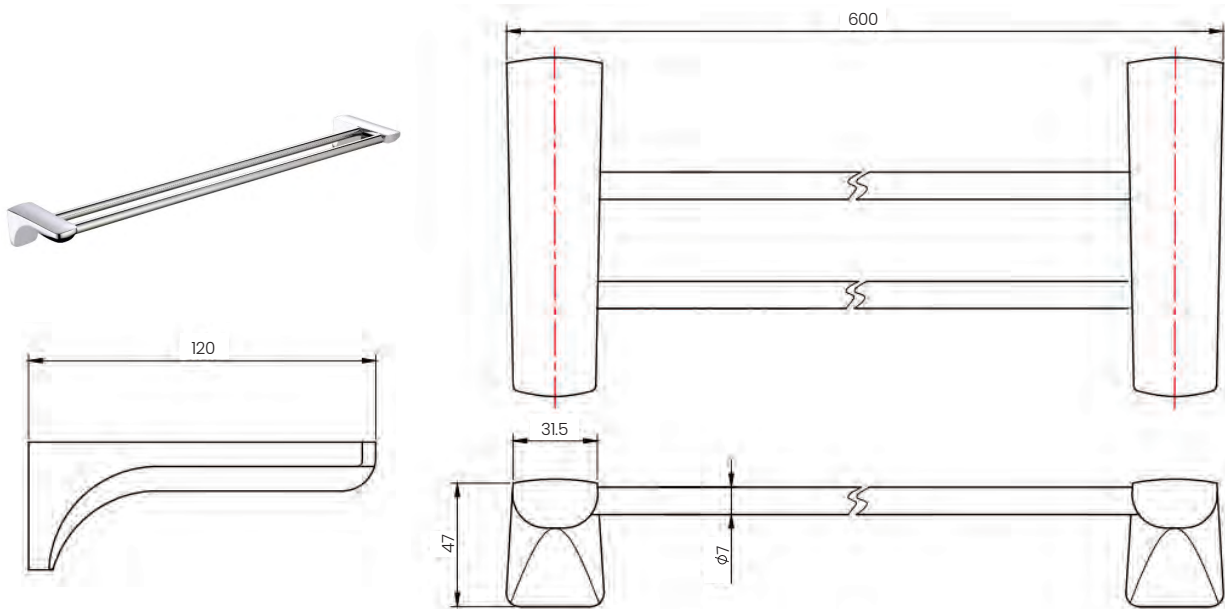
Dallas Toilet Tissue Holder + Cover

NE6708



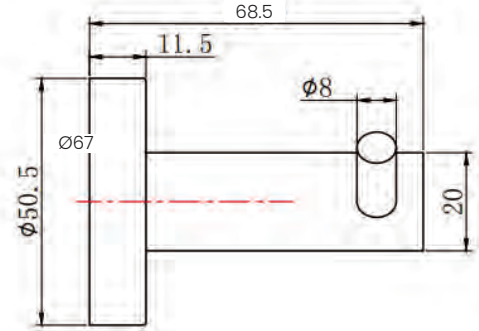
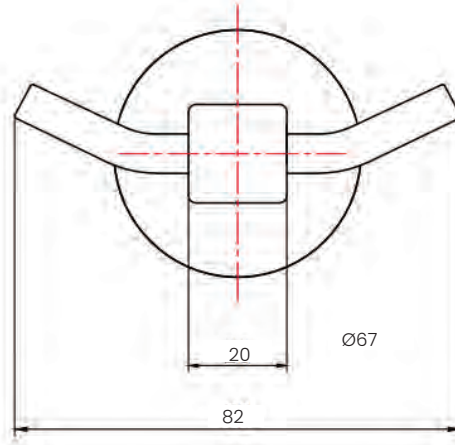
Dallas Towel Bar

NE6705-2



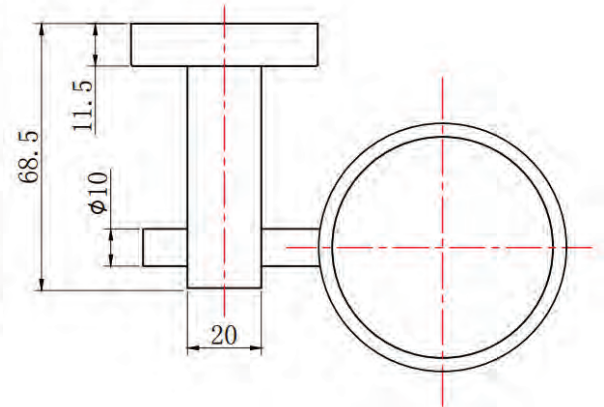
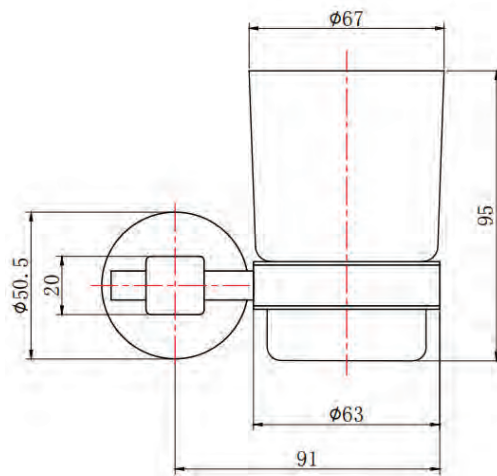
Miami Double Robe Hook Garment Hanger

NE6801



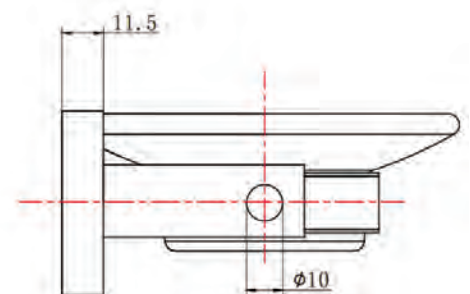
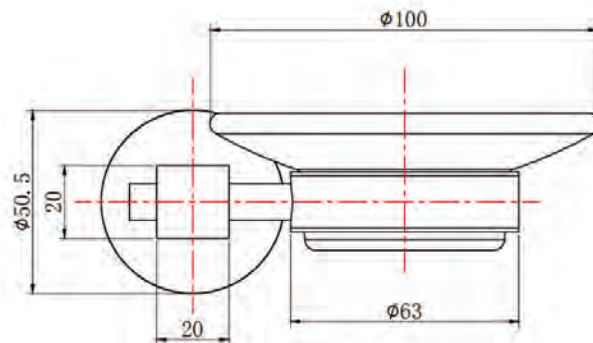
Miami Glass Toothbrush Holder

NE6804

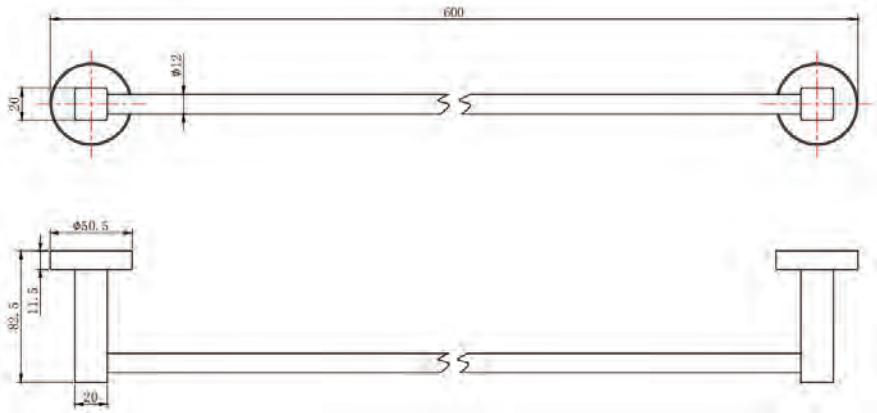


Miami Round Glass Soap

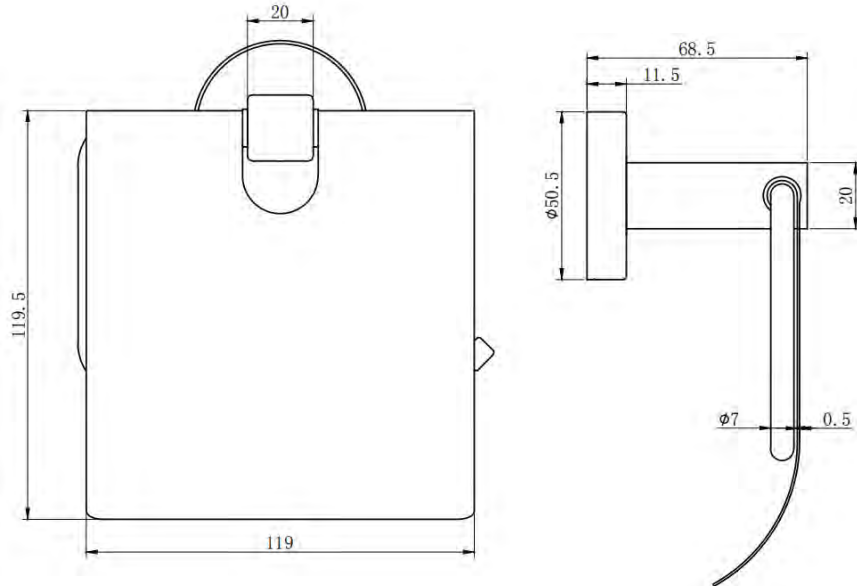
NE6803



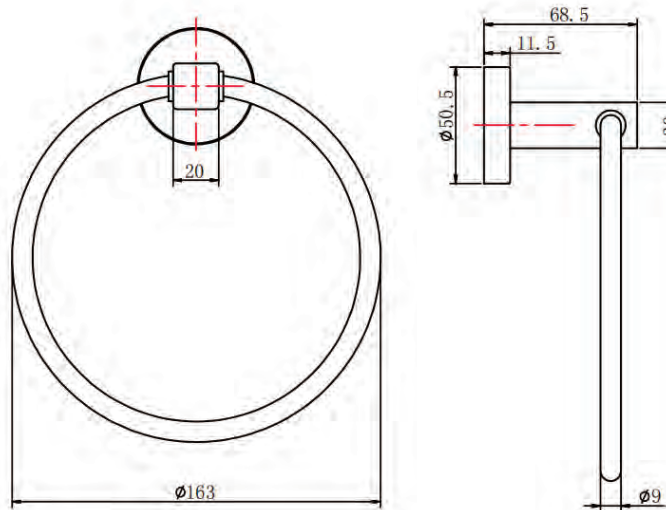
Miami Towel Bar
NE6805



Miami Toilet Tissue Holder
NE6808

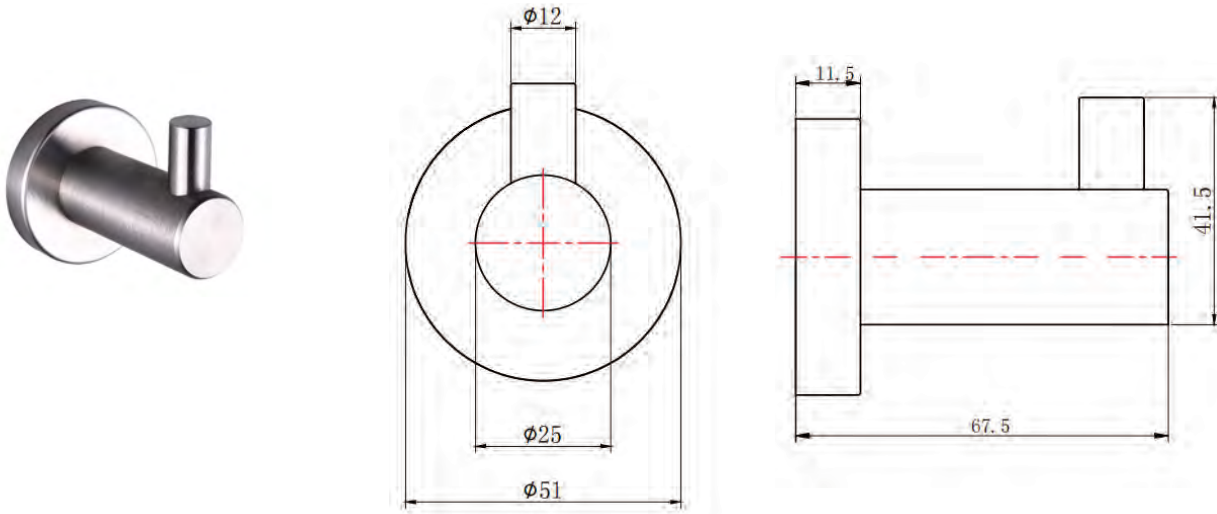


Miami Towel Ring
NE6812



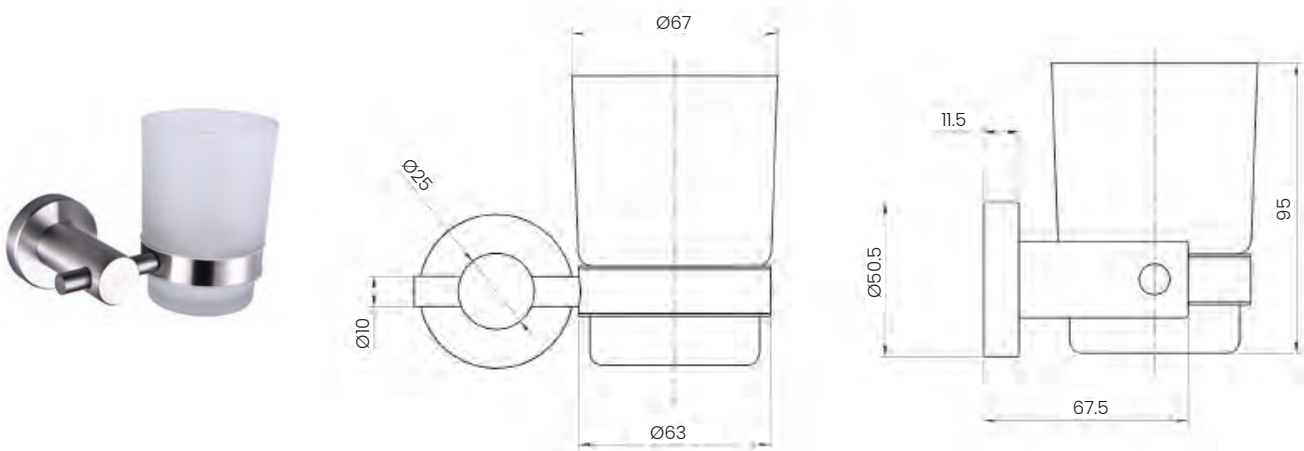
Miami Plus Single Robe Hook Garment Hanger

NE6902



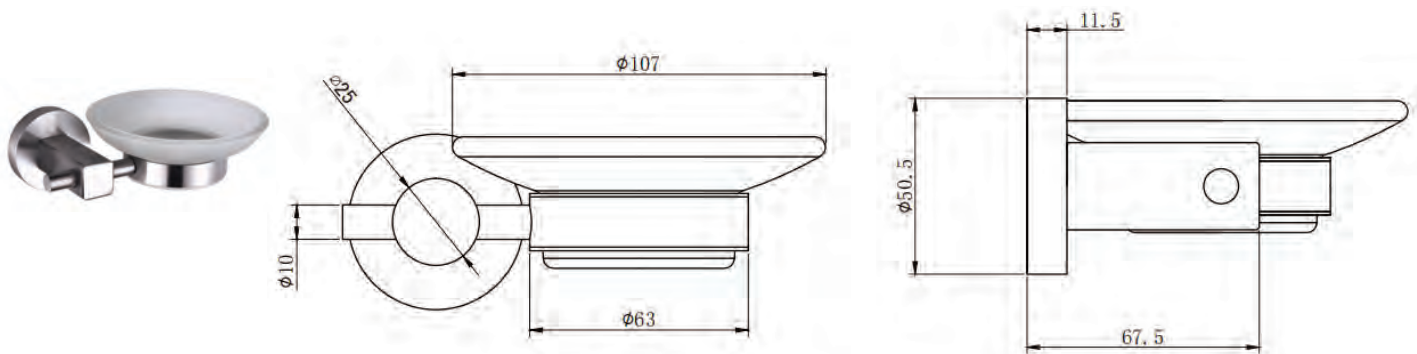
Miami Plus Glass Toothbrush Holder

NE6904

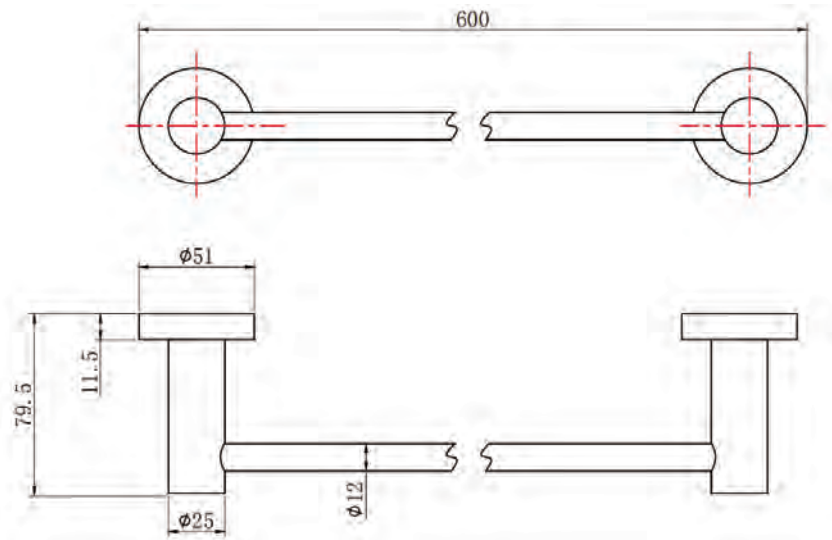


Miami Plus Round Glass Soap Dish

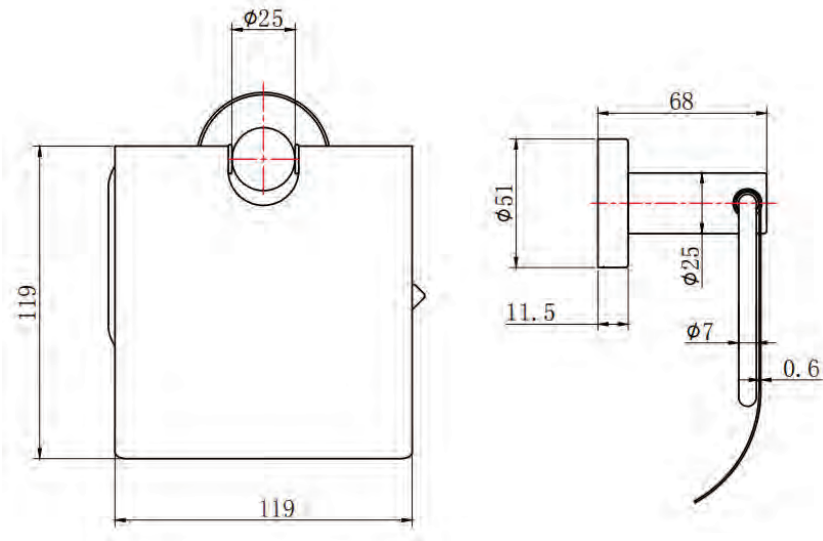
NE6903



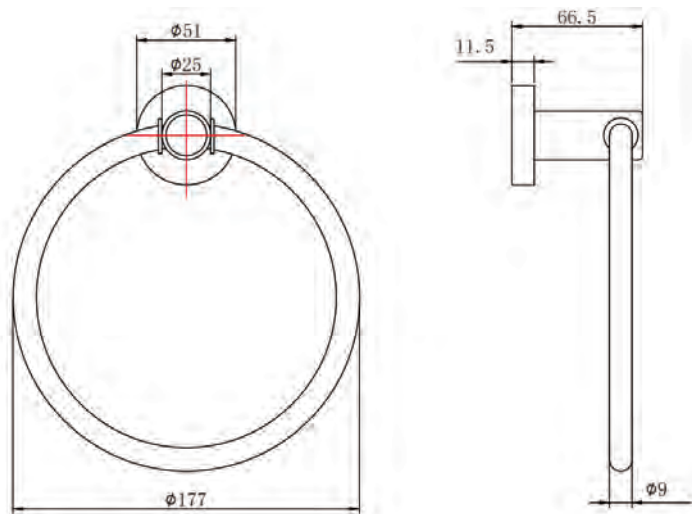
Miami Plus Towel Bar
NE6905



Miami Plus Toilet tissue Holder + Cover
NE6908

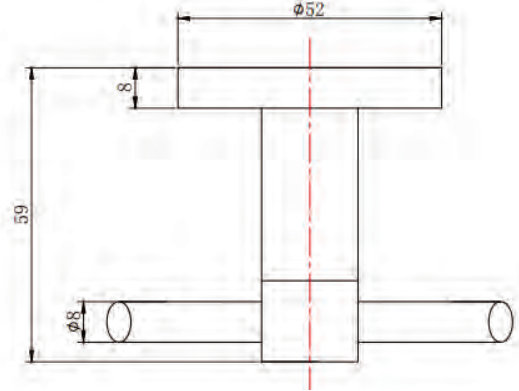
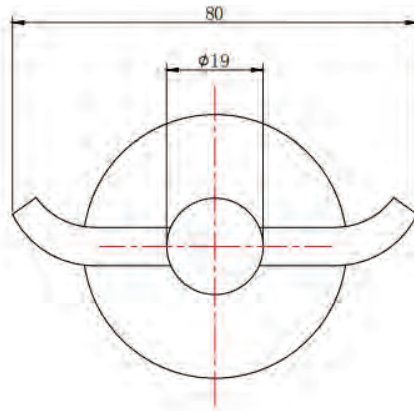


Miami Plus Round Hand Towel Holder
NE6912



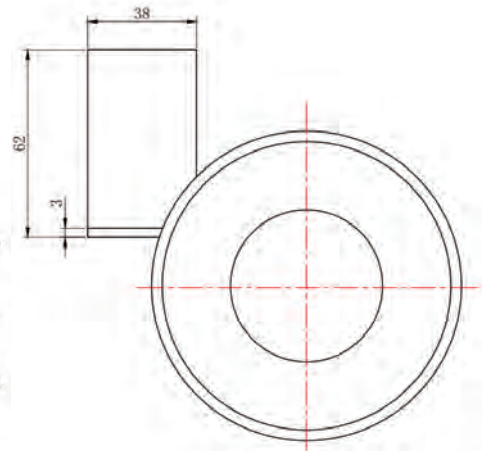
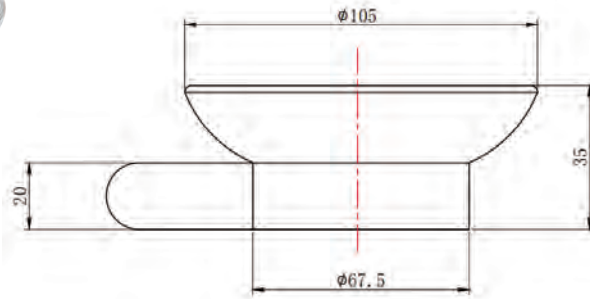
Golden Gate Dual Robe Hook Garment Hanger

NE6101



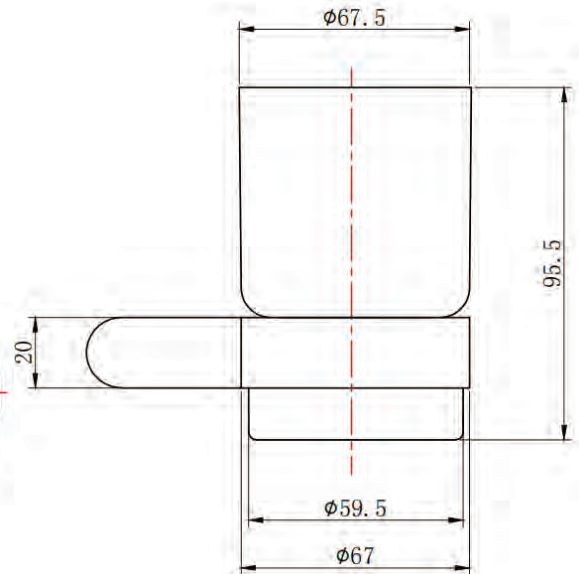
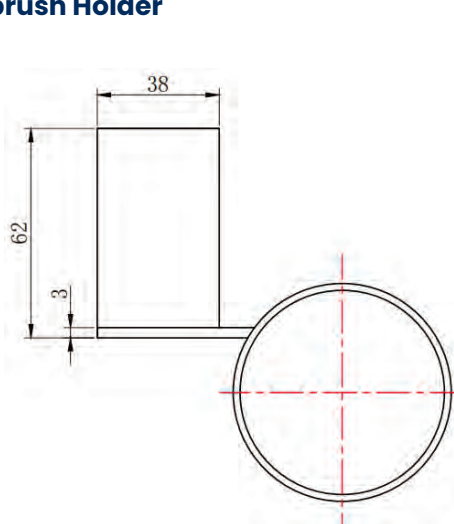
Golden Gate Round Glass Soap Dish

NE6103



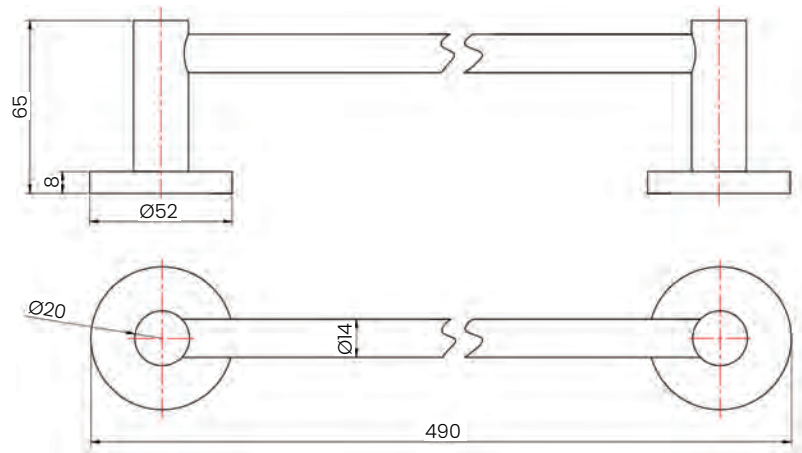
Golden Gate Glass Toothbrush Holder

NE6104



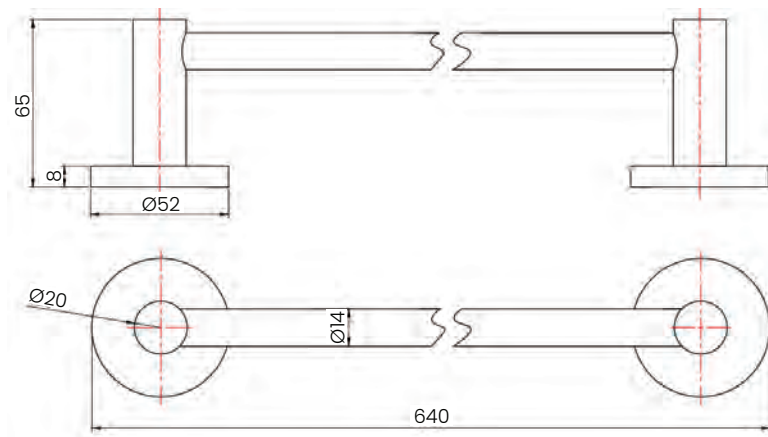
Golden Gate Towel Bar

NE6105



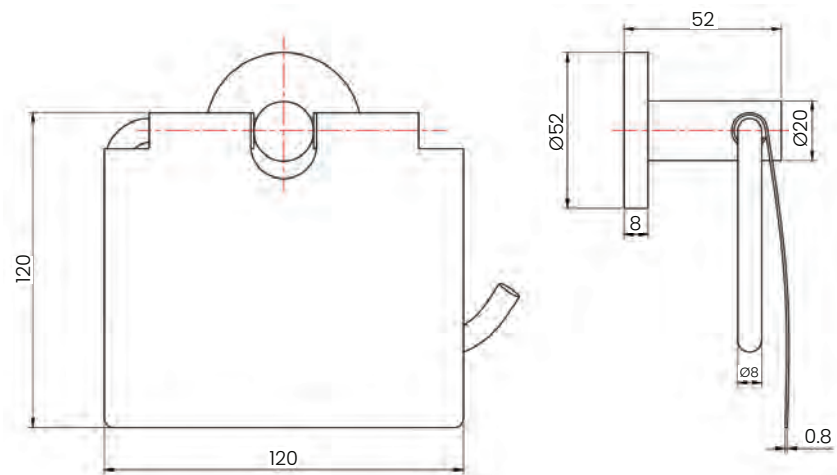
Golden Gate Towel Bar

NE6105-1



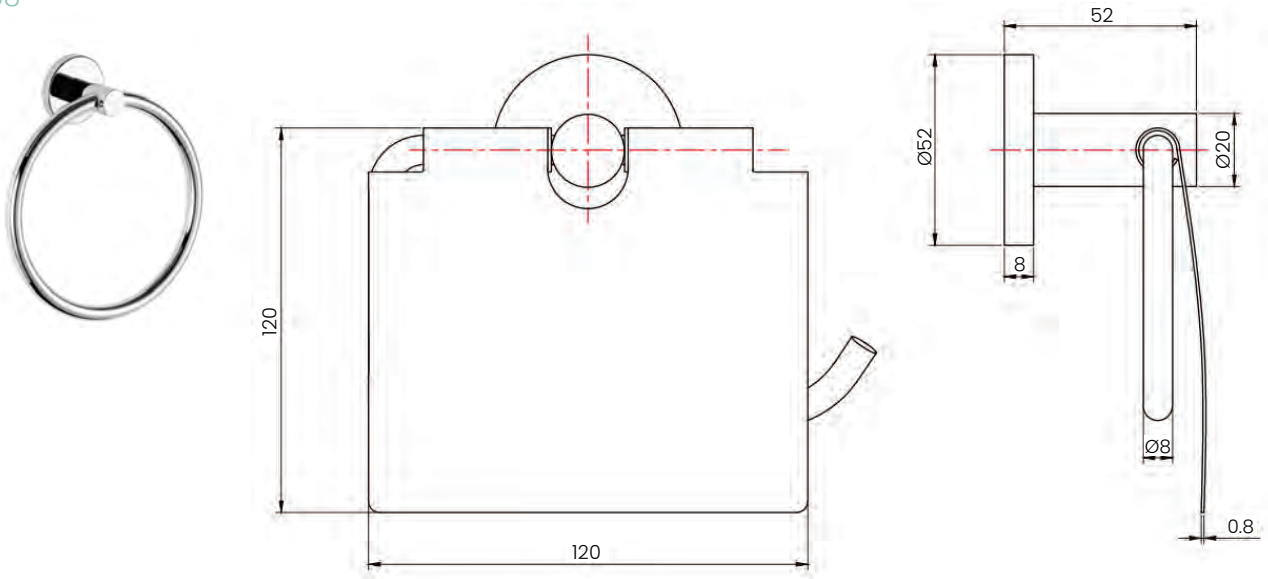
Golden Gate Glass Toothbrush Holder

NE6108



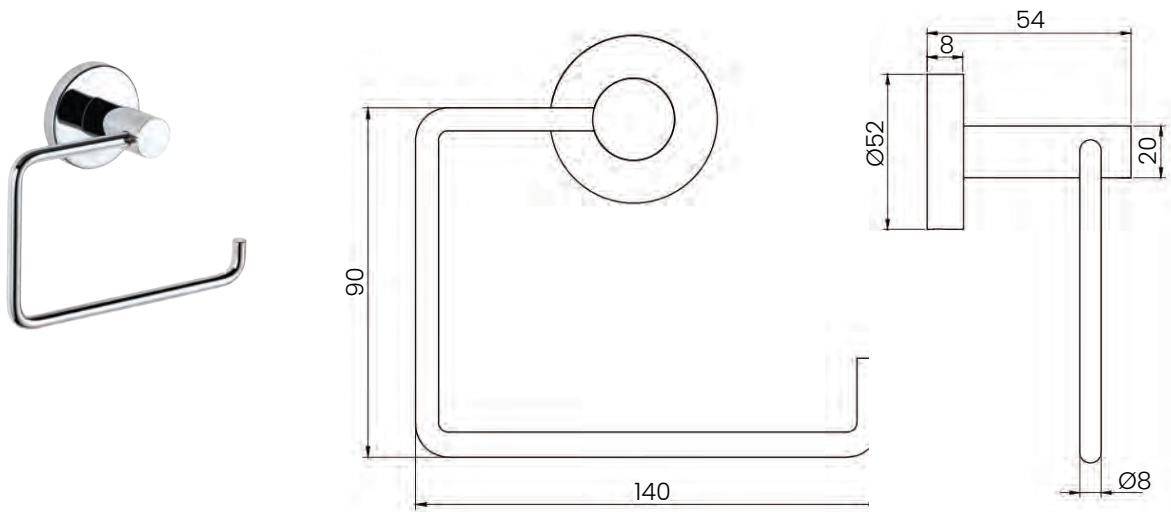
Golden Gate Round Hand Towel Holder

NE6108



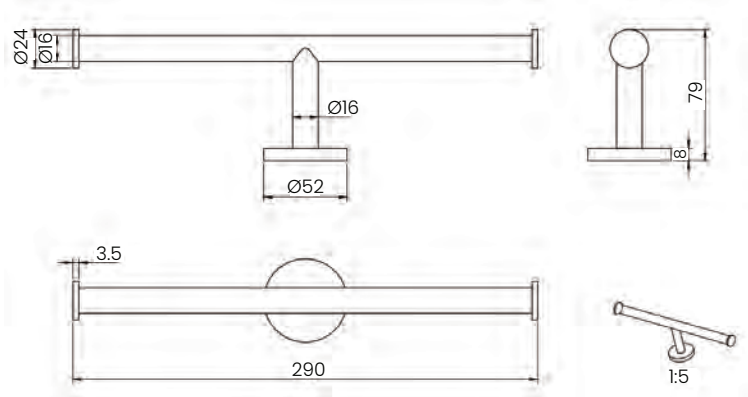
Golden Gate Chrome Double Toilet Tissue Holder

NE6107



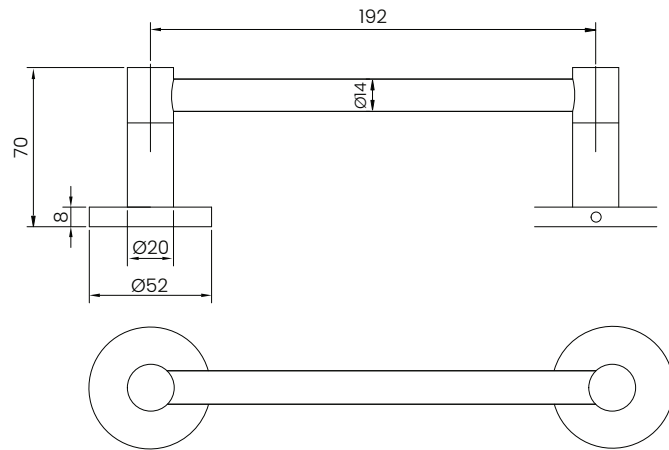
Golden Gate Chrome Double Toilet Tissue Holder

NE6118



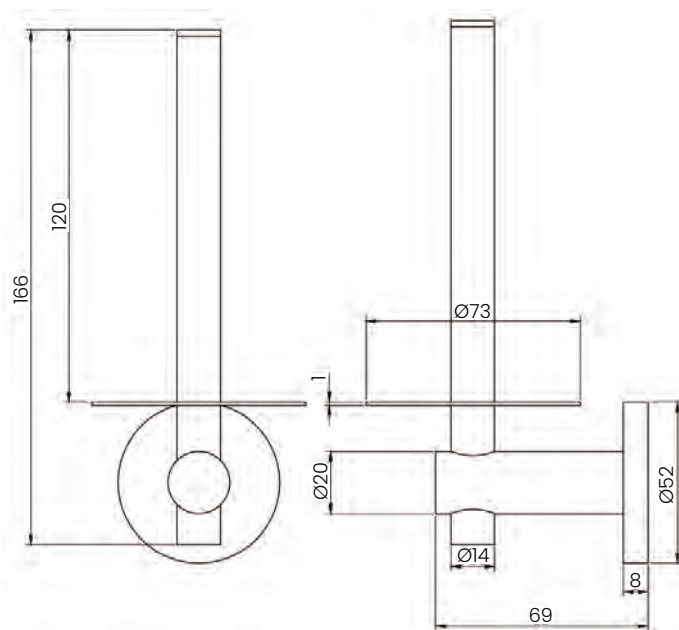
Golden Gate Horizontal Grab Bar

NE6125



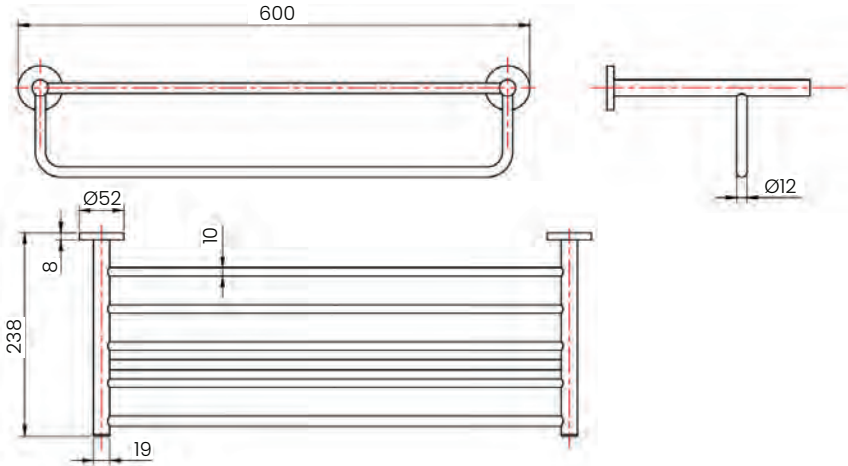
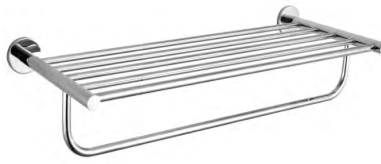
Golden Gate Vertical Toilet Tissue Holder

NE6106



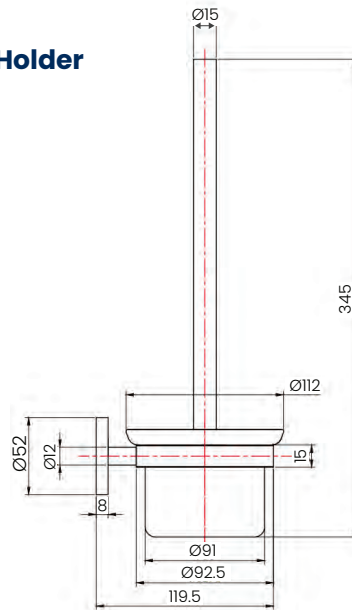
Golden Gate Glass Toothbrush Holder

NE6113



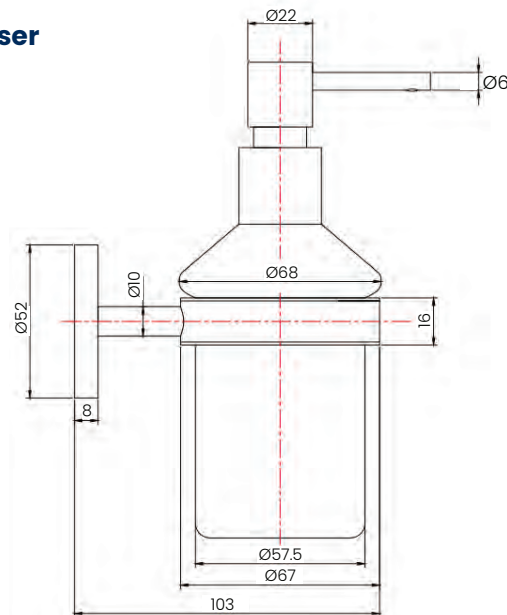
Golden Gate Toilet Brush Holder

NE6109



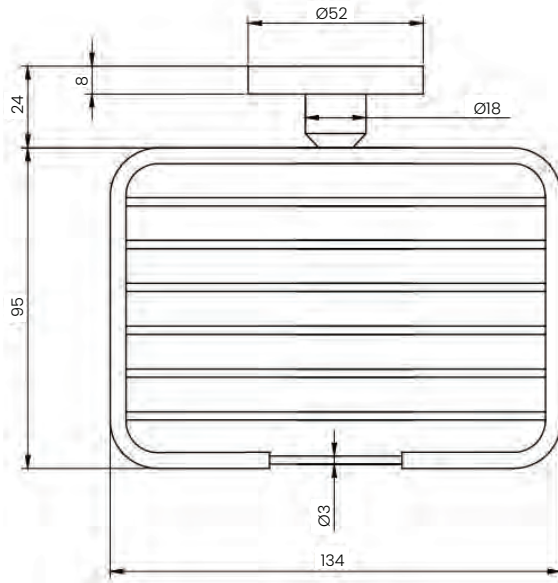
Golden Gate Soap Dispenser

NE6115



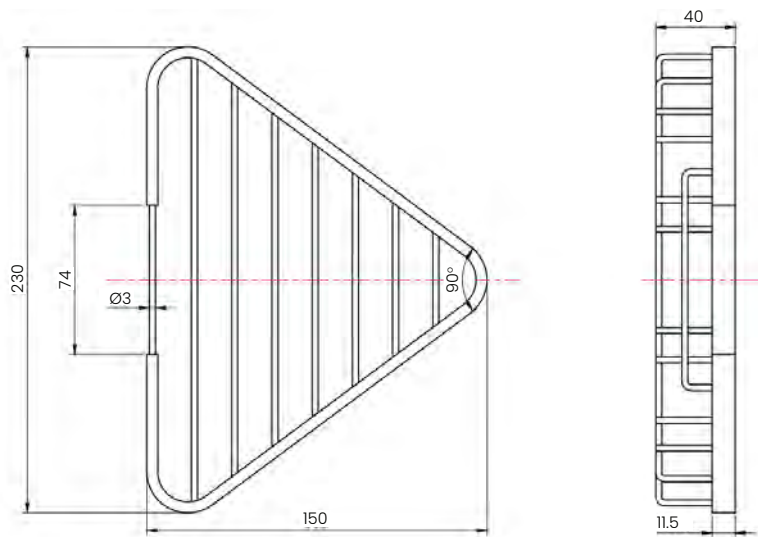
Golden Gate Chrome Slotted Soap Basket

NE6110



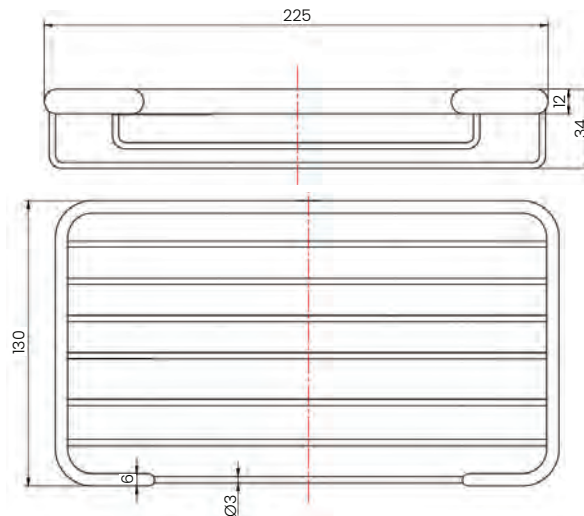
Golden Gate Chrome Sponge/Soap Basket

NE6111



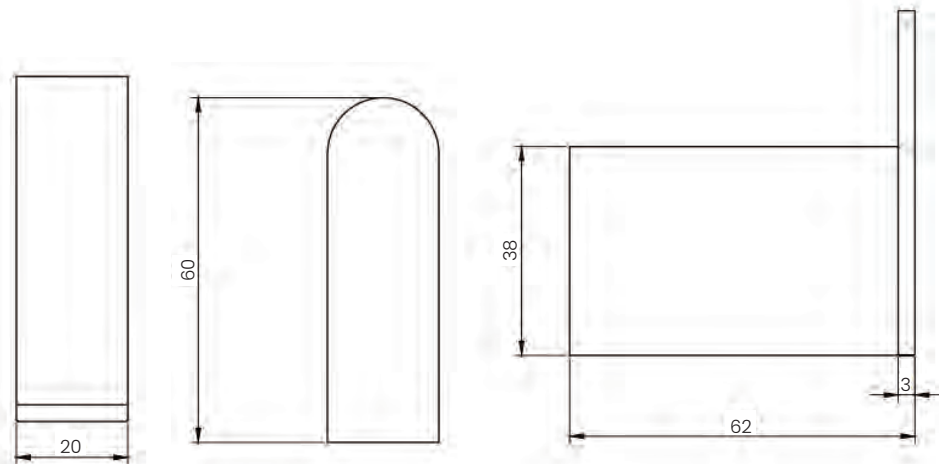
Golden Gate Chrome Sponge/Soap Basket

NE6114



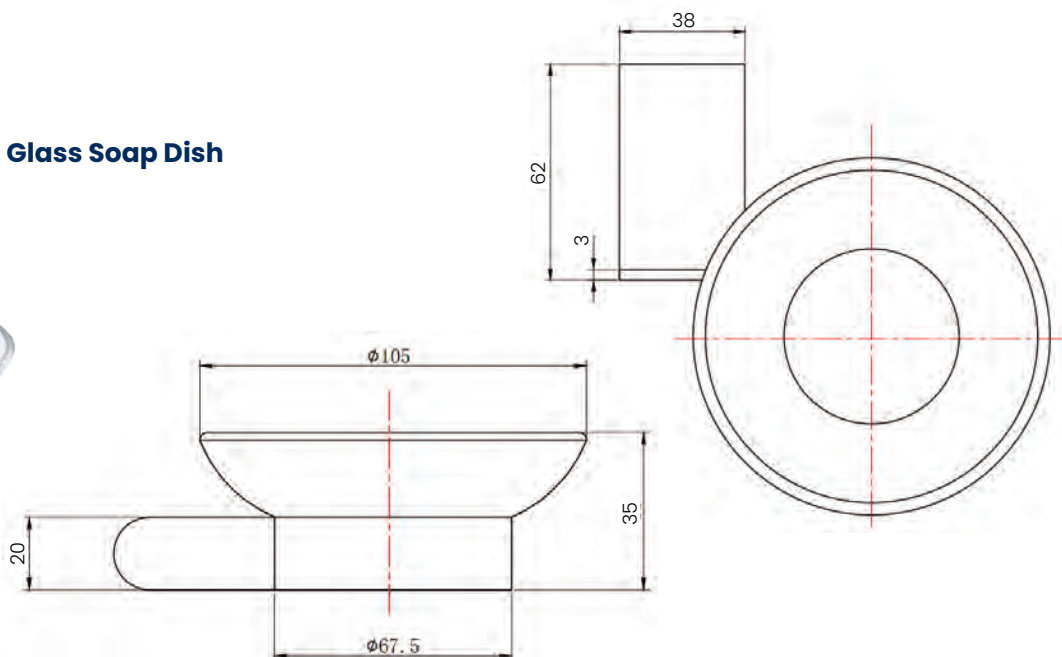
Santa Monica Single Hook

NE6202



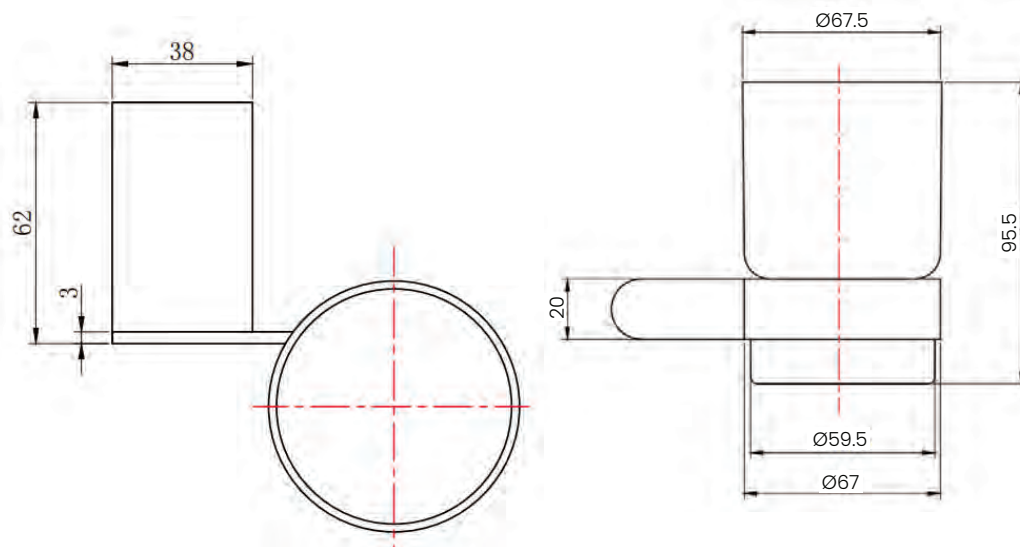
Santa Monica Round Glass Soap Dish

NE6203



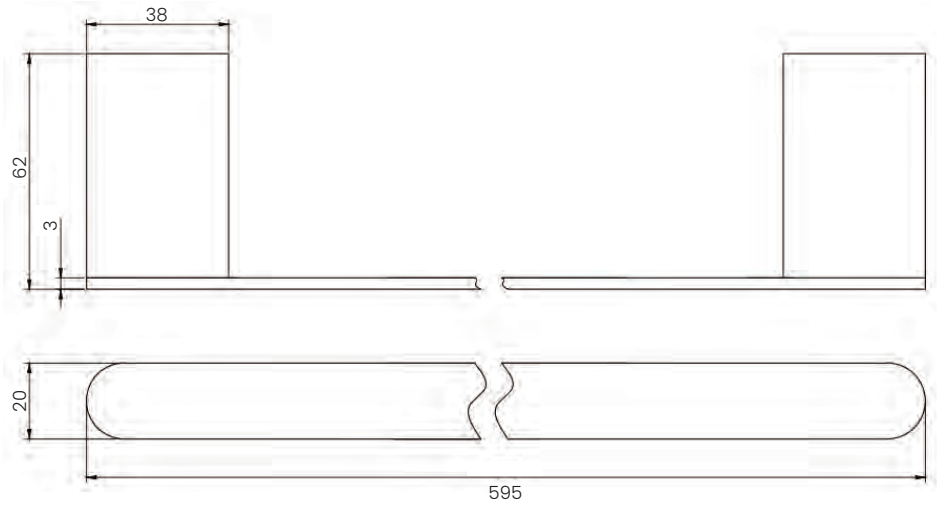
Santa Monica Glass Toothbrush Holder

NE6204



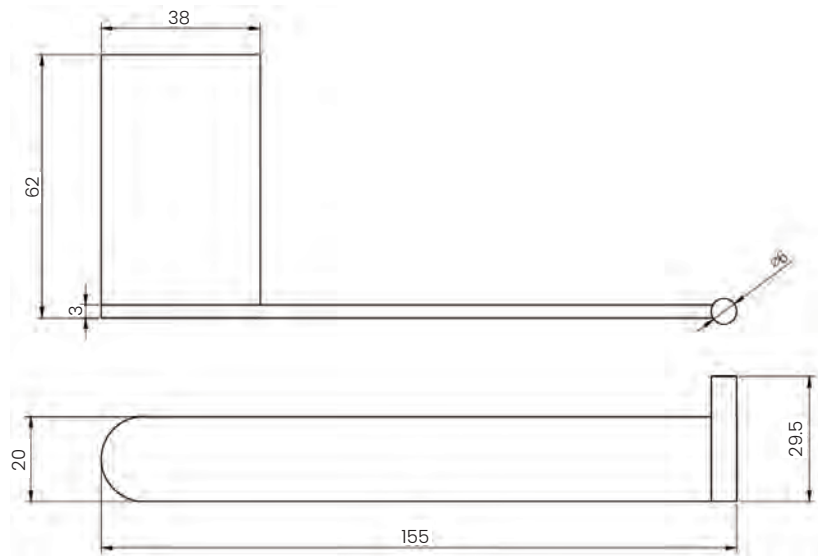
Santa Monica Towel Bar

NE6205



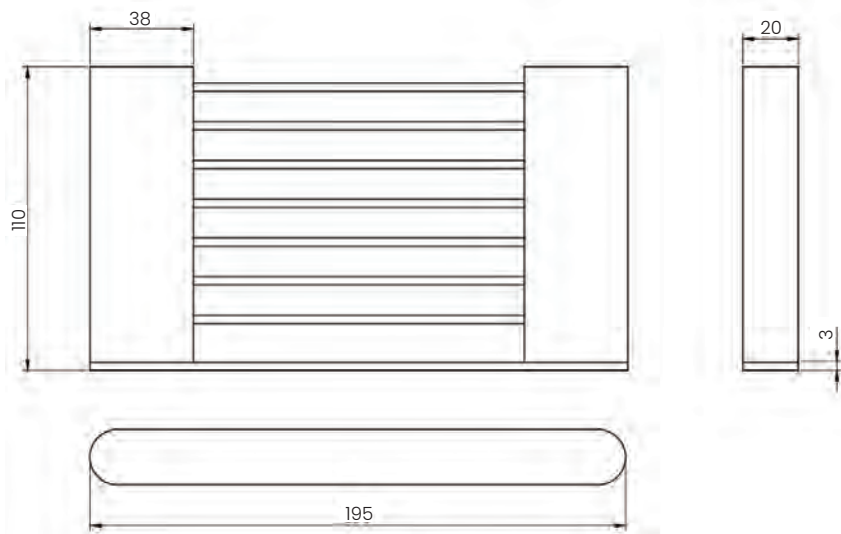
Santa Monica Toilet Tissue Holder

NE6207



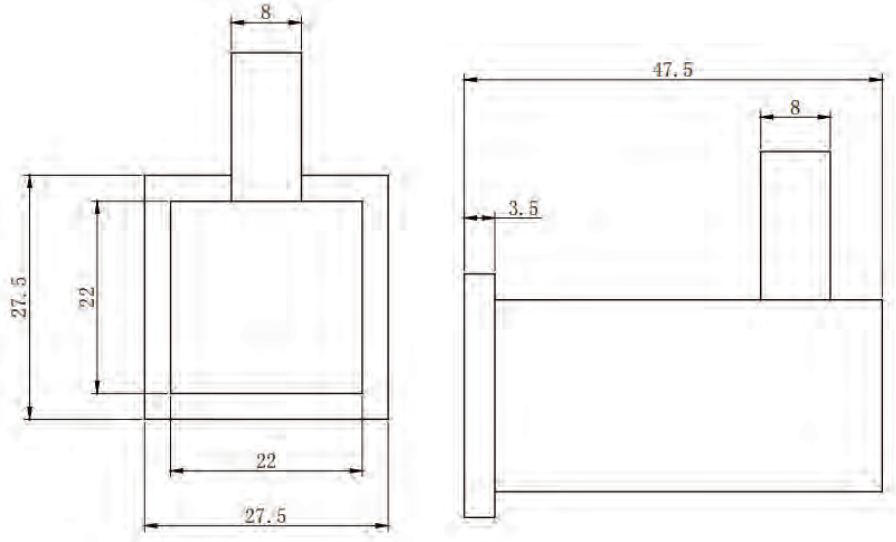
Santa Monica Chrome-Slotted Soap Dish

NE6210



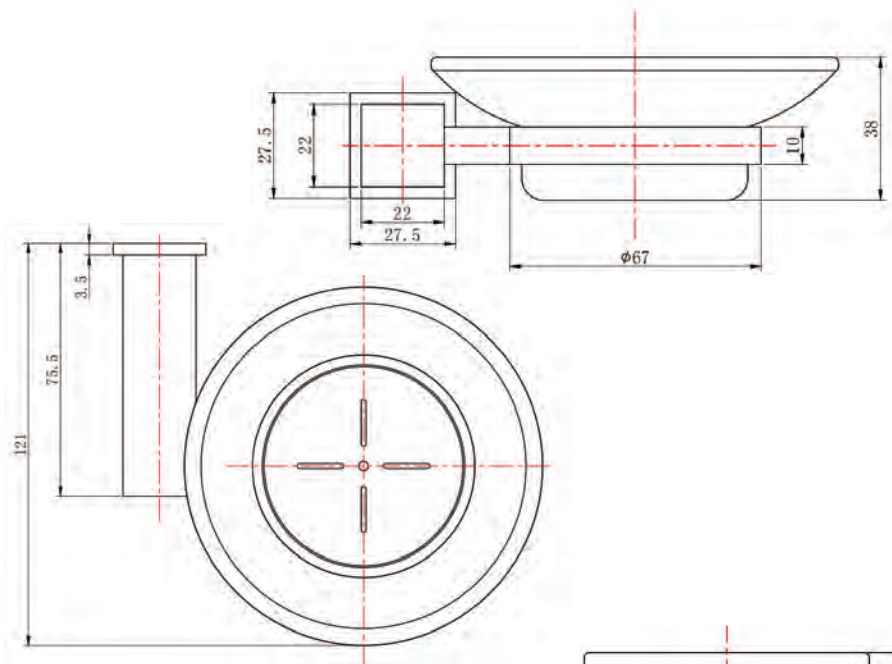
Florida Single Hook

NE6602



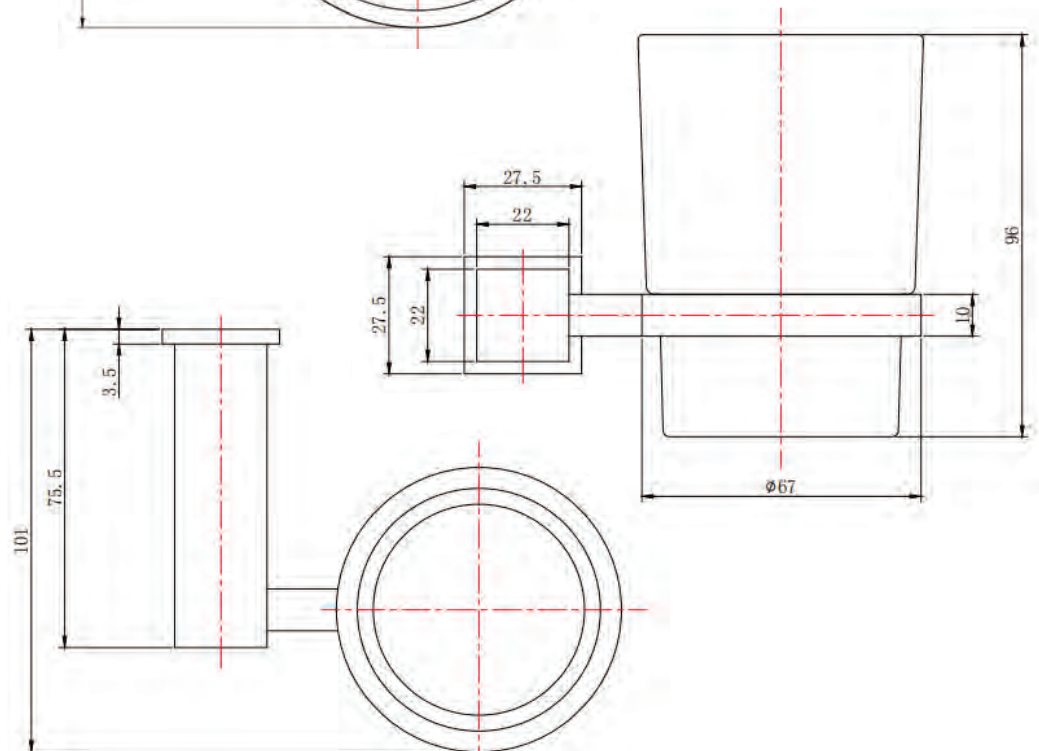
Florida Round Glass Soap Dish

NE6603



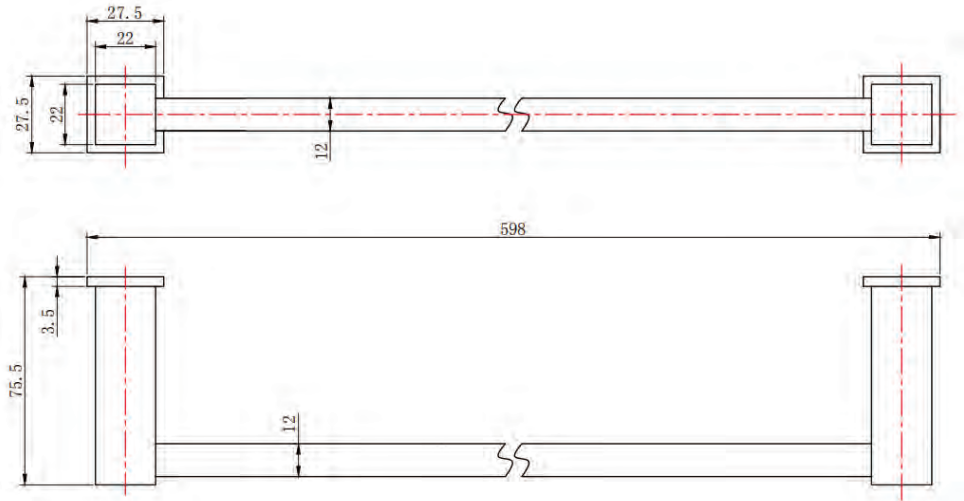
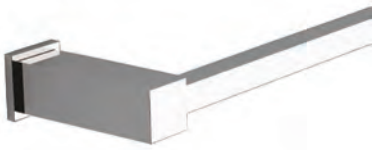
Florida Glass Toothbrush Holder

NE6604



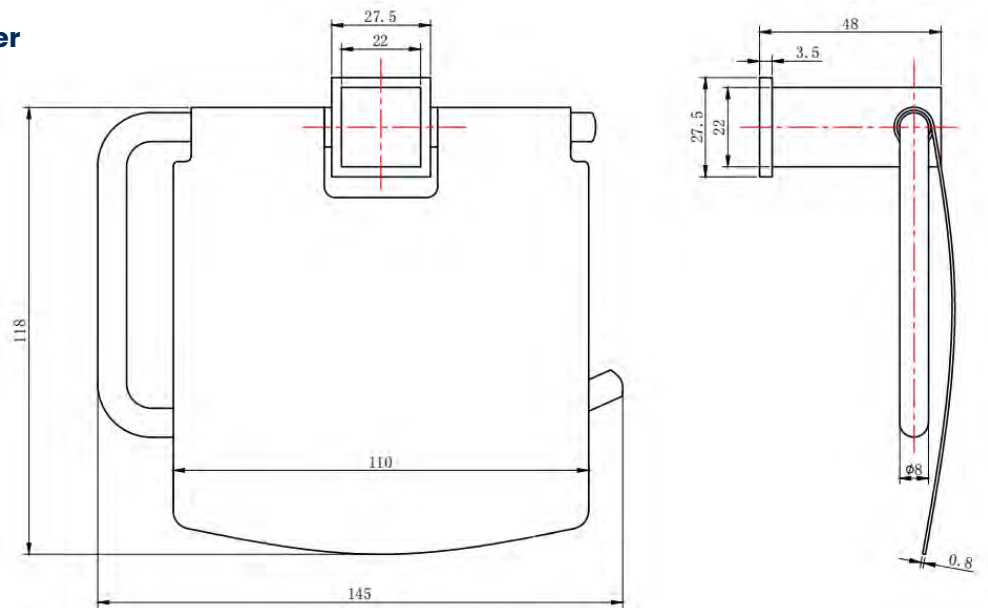
Florida Plus Towel Bar

NE6605



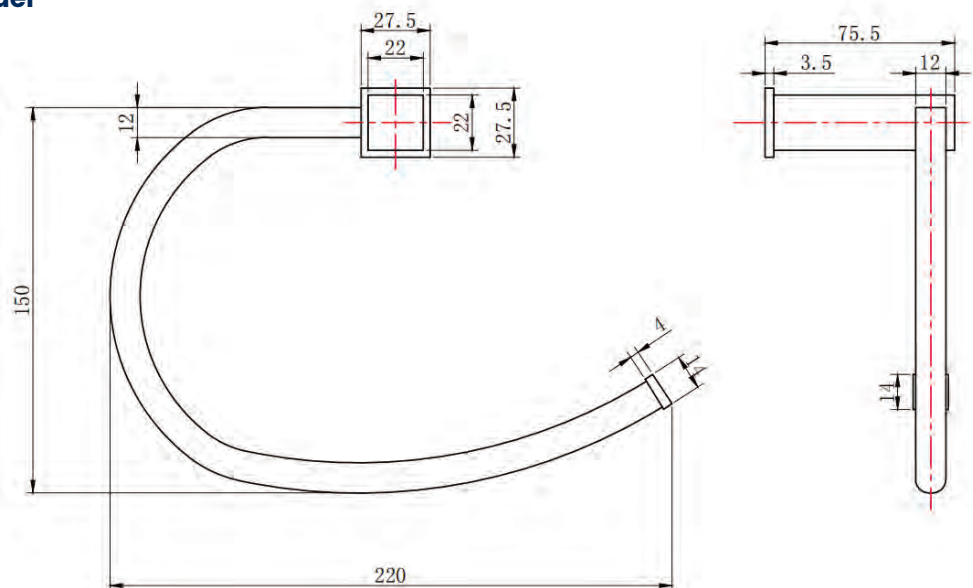
Florida Toilet Tissue Holder + Cover

NE6608



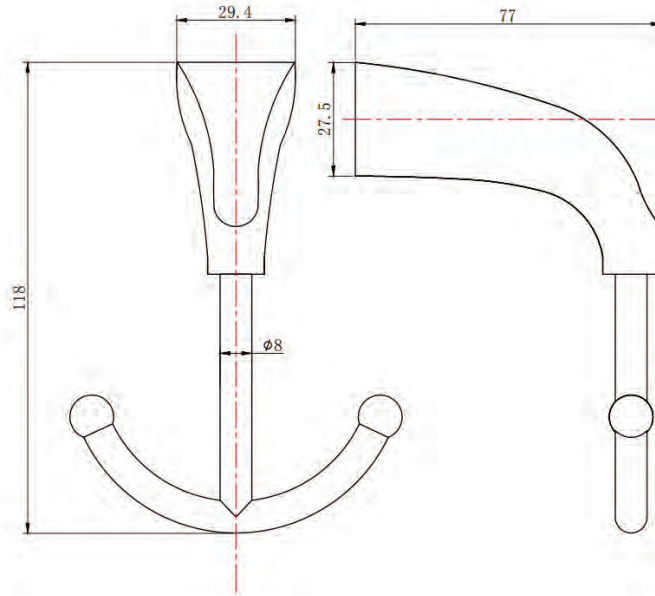
Florida Glass Toothbrush Holder

NE6612



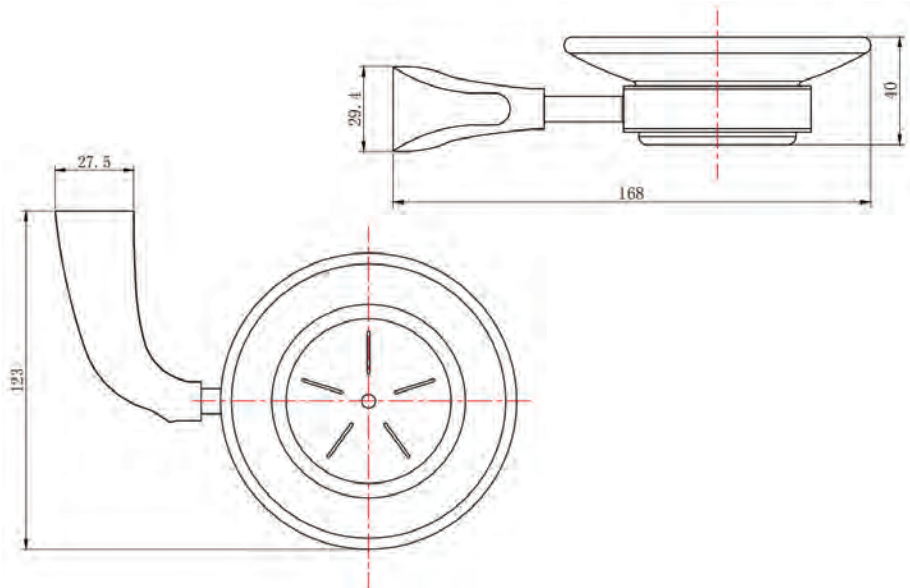
Huston Dual Hook

NE6501



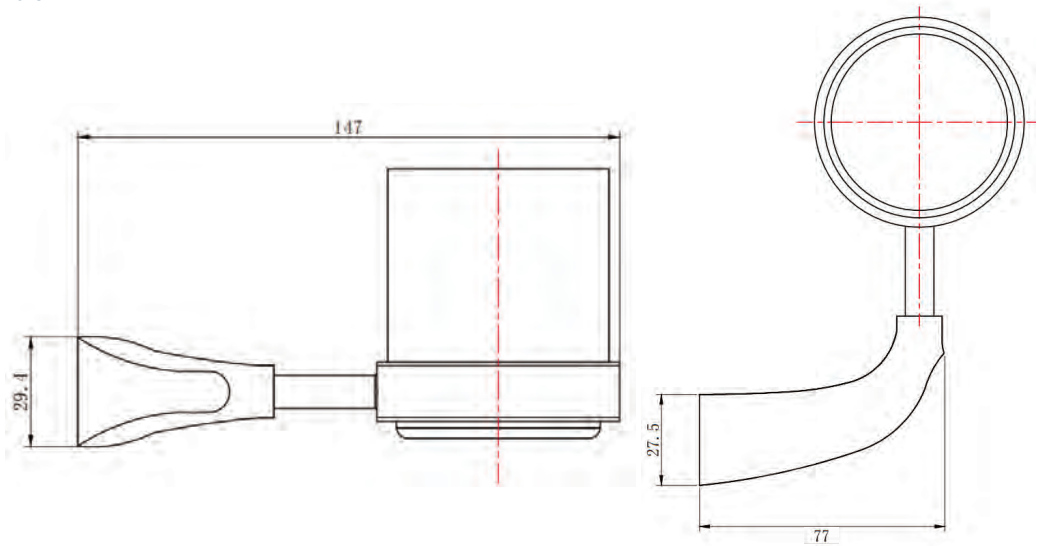
Huston Round Glass Soap Dish

NE6503



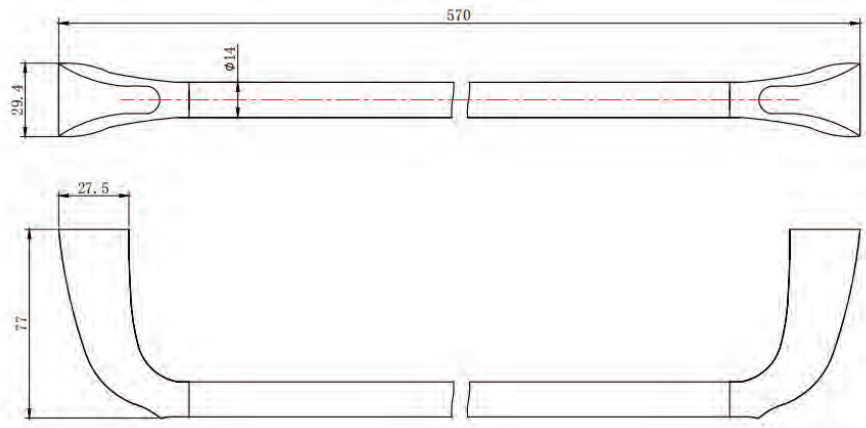
Huston Glass Toothbrush Holder

NE6504



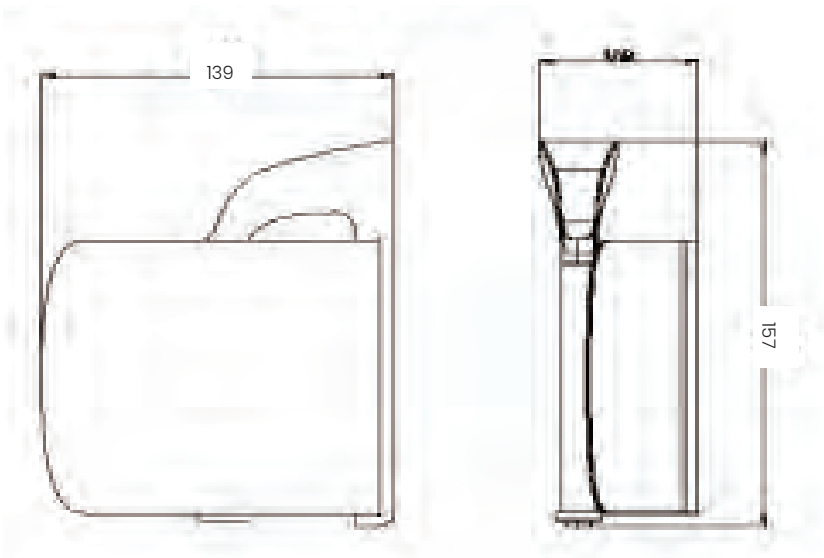
Huston Towel Bar

NE6505



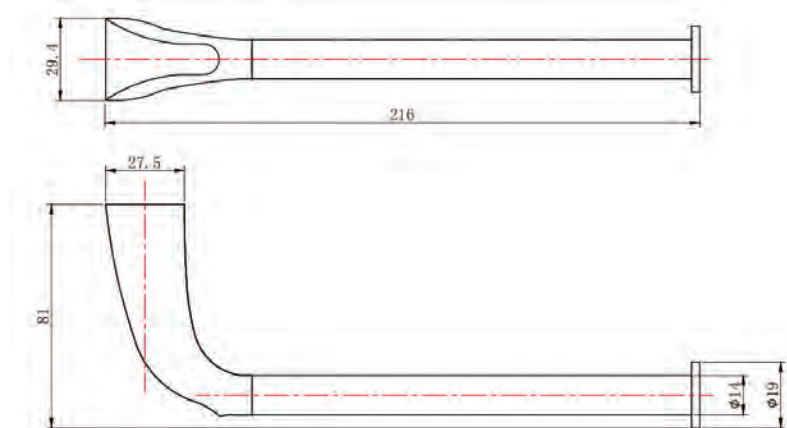
Huston Toilet tissue Holder + Cover

NE6507



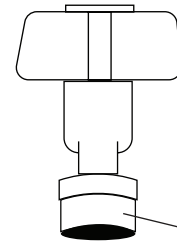
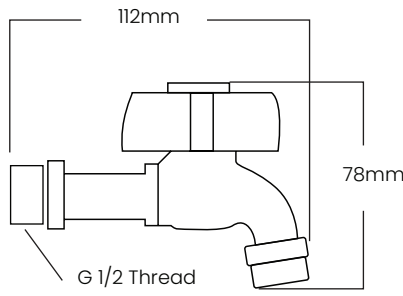
Huston Hand Towel Holder

NE6512

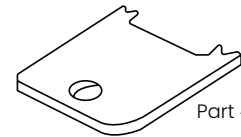
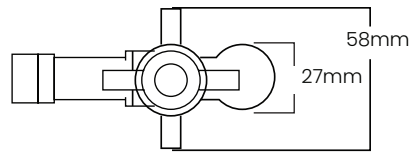


Super Faucet

N342I-NCC



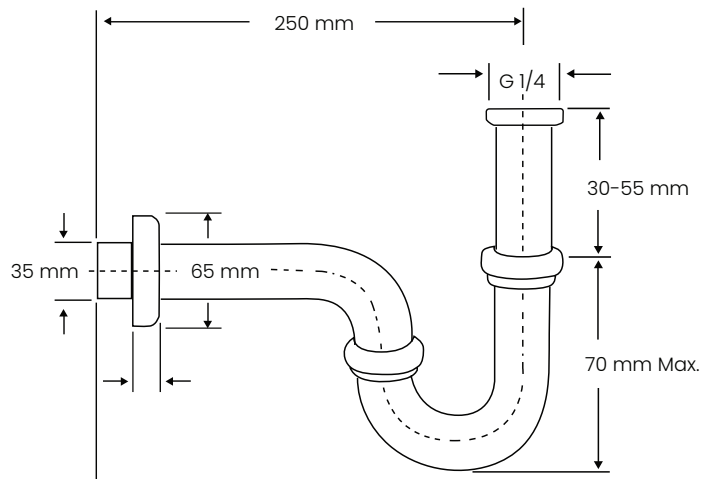
MTP Aerator



Part # C3202

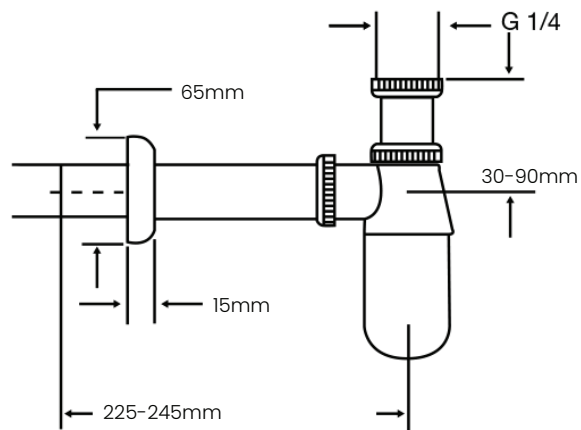
P-Trap

N2387



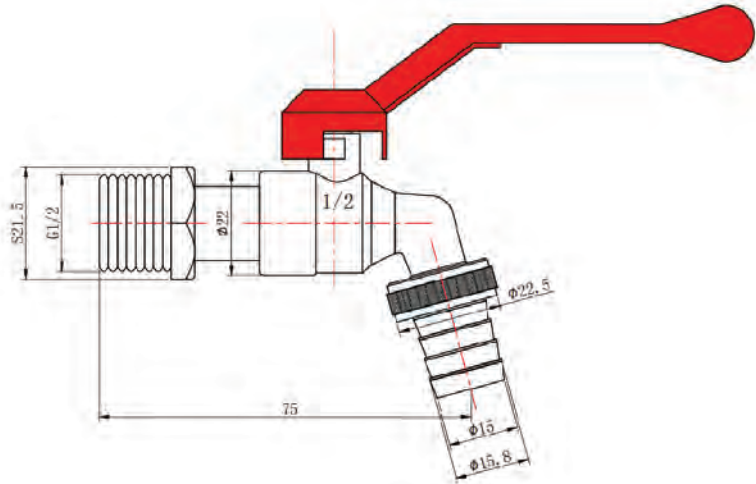
P-Trap

N2386



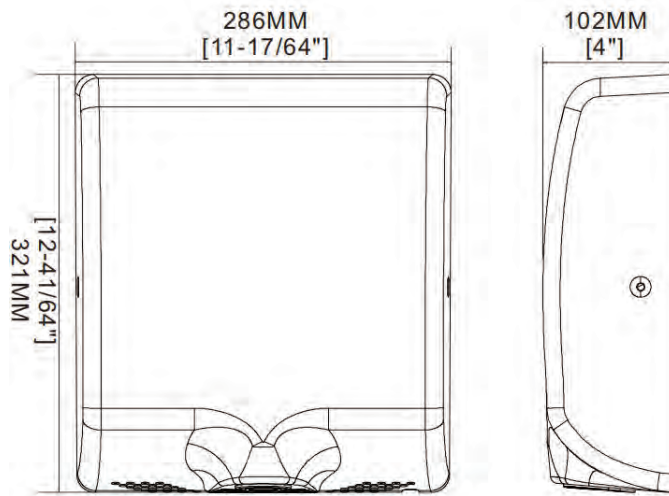
Wash Machine Bibcock

N3323



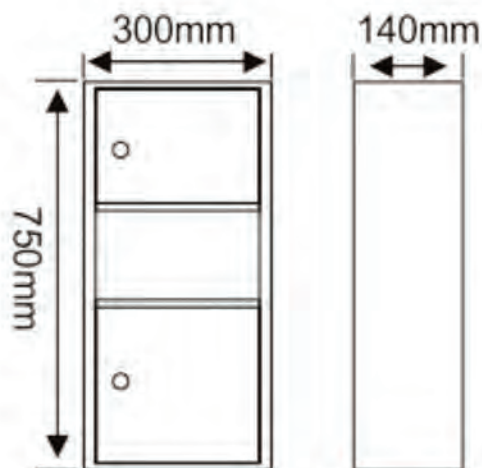
Sensor Hand Dryer

NS76005



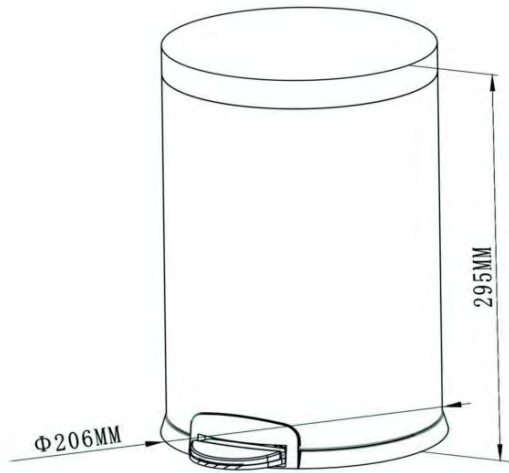
Paper Dispenser

NS83008



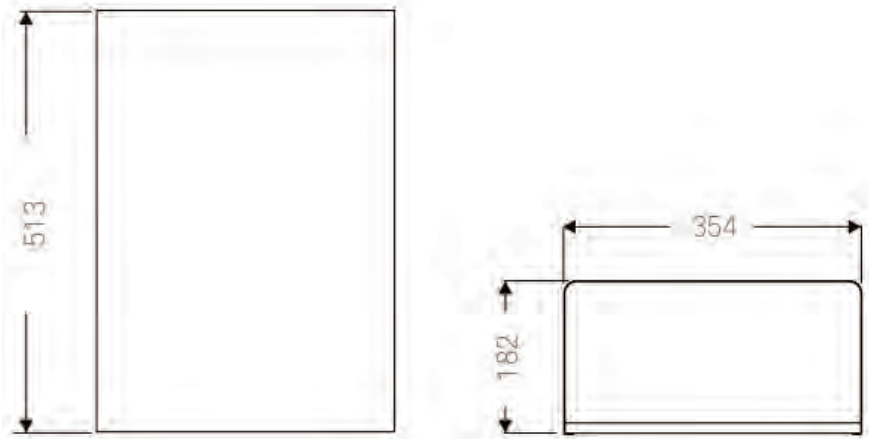
Round Waste Bin 5L

NS13005



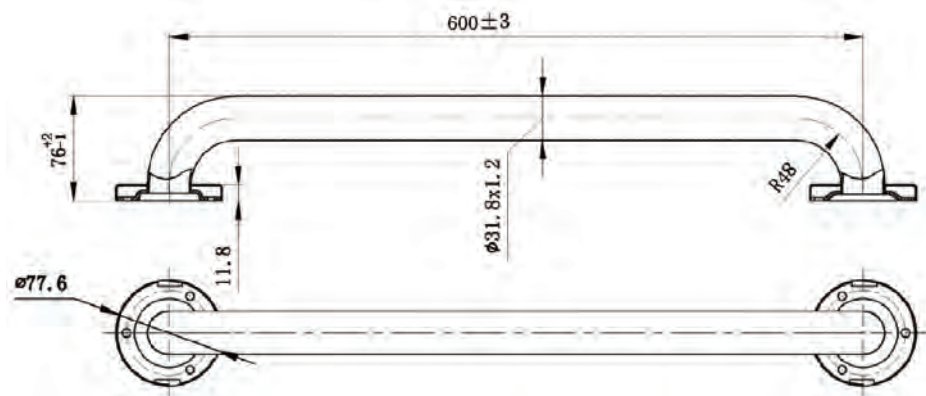
Waste Bin 30L

NS79007



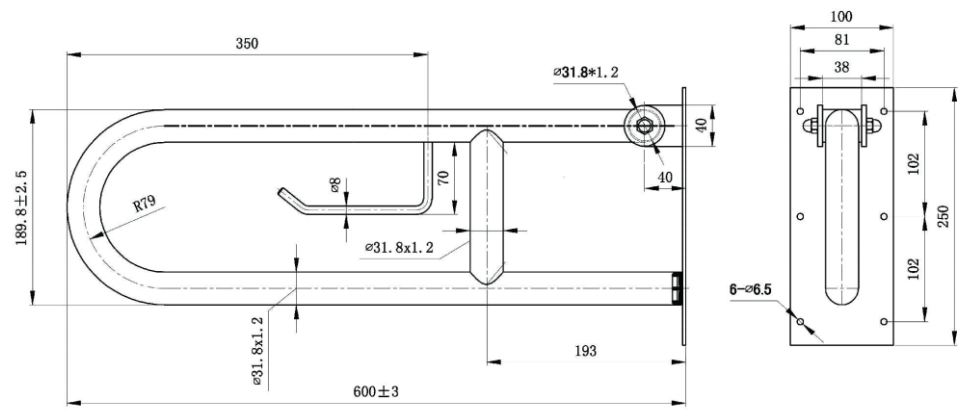
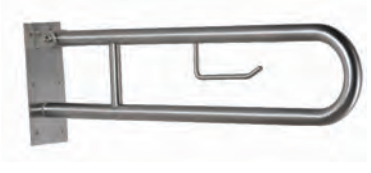
Straight Grab Bar

NS10019-60



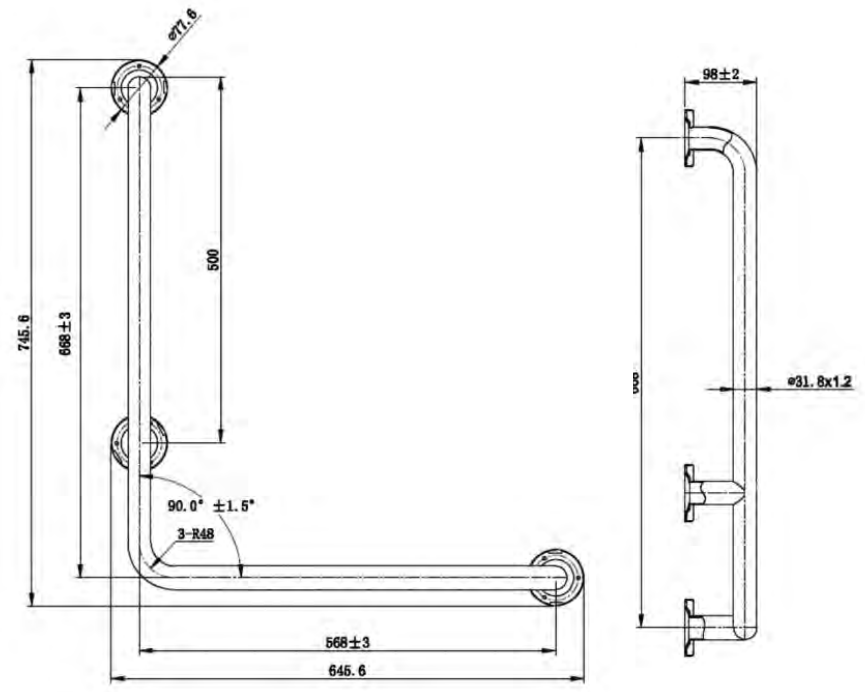
Folding Up Grab Bar

NS35007



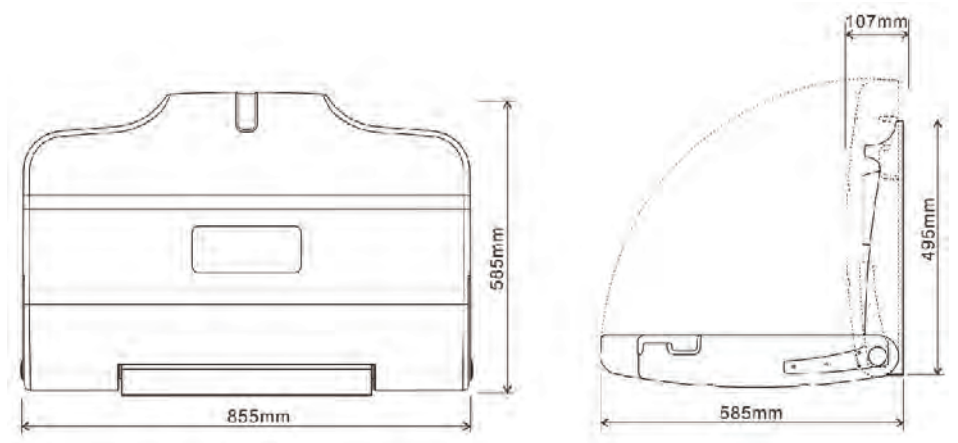
Grab Bar Right Handed

NS21006



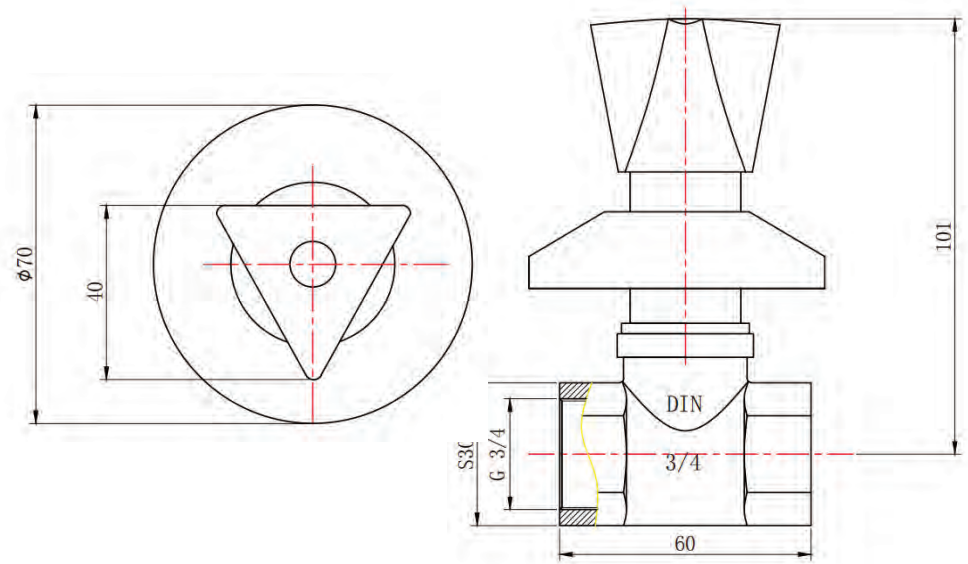
Baby Changing Station

HH12408



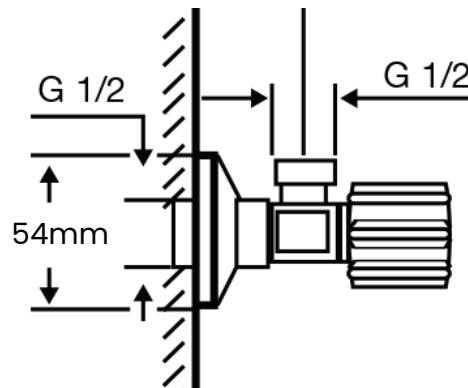
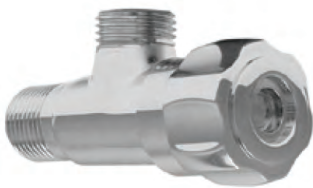
Stop Valve

NSV34



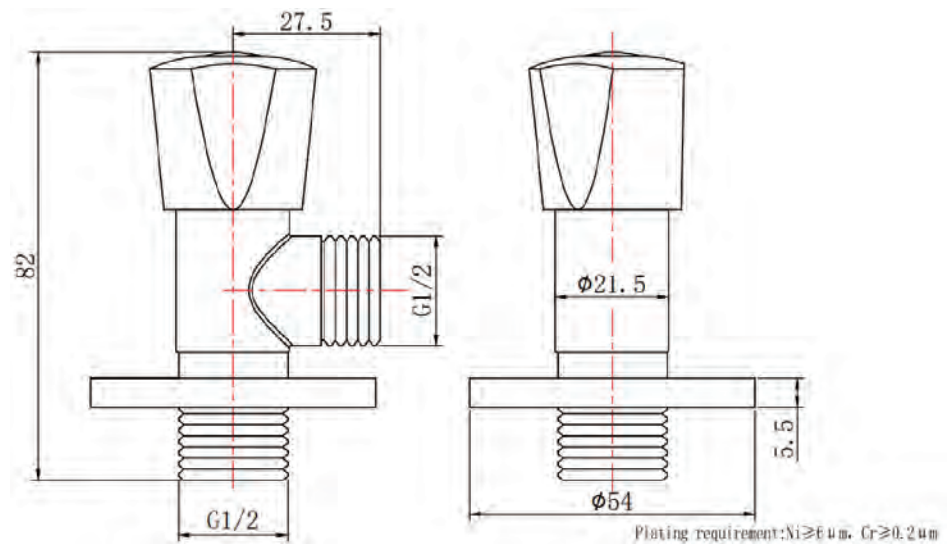
Angle Valve

N2384



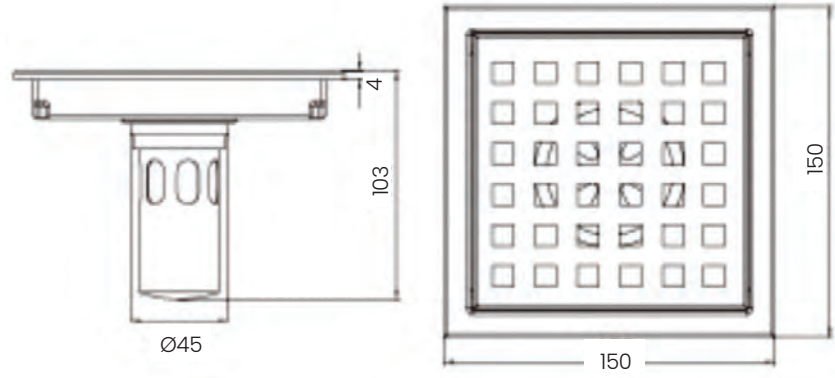
Angle Valve

NLBS23005



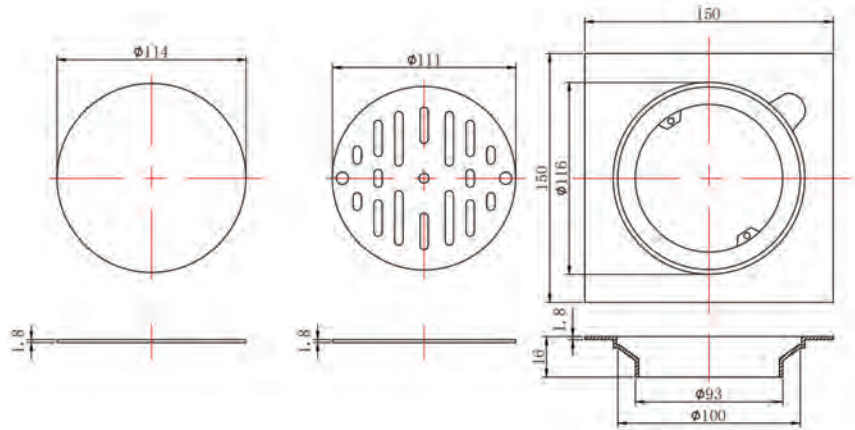
Floor Drain

NL75005



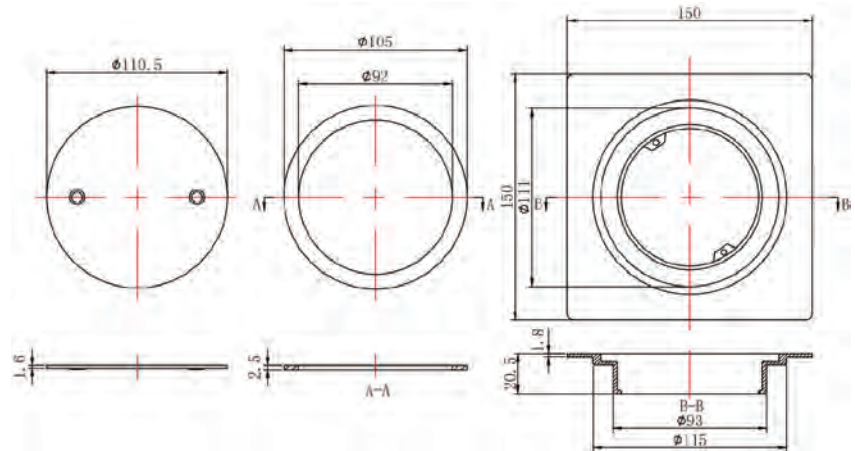
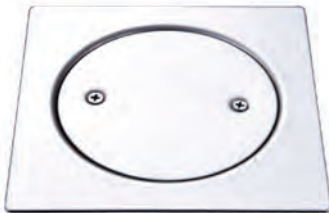
Floor Drain

N6124S | NL-19009



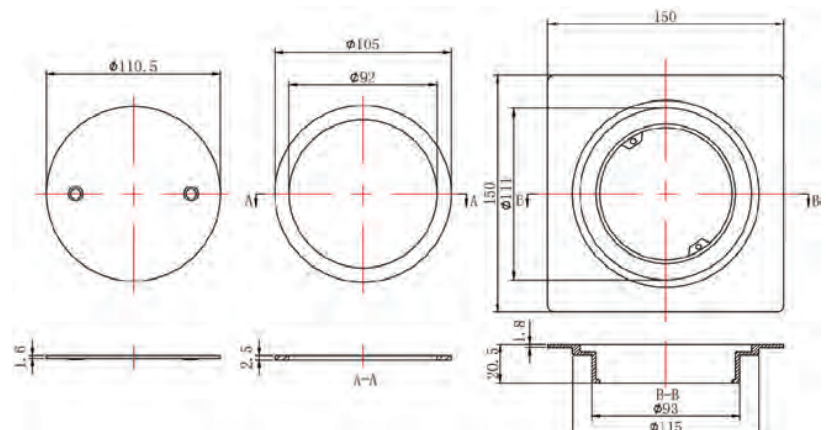
Floor Drain

N6125



Floor Drain

N6126



NIAGARA-USA
SNEAK

PEEK 2023

NEW PRODUCTS SELECTION





Stone Bathtubs

- Custom made.
- Eco friendly.
- Available in multiple color options.
- Thick solid body that continues through the entire bathtub.



Free Standing Acrylic Bathtubs

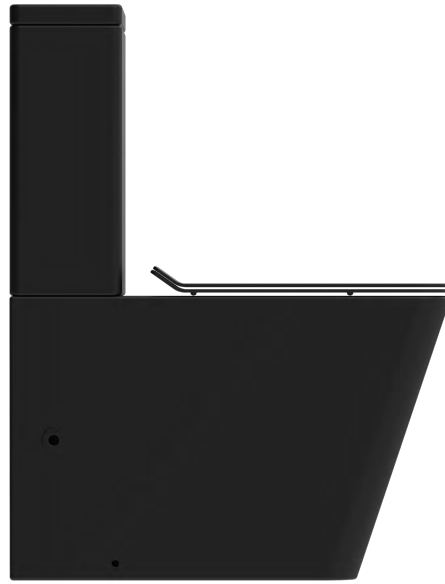
- Available in multiple sizes.
- Eco friendly.
- Available in multiple color options.



Matt Black Sanitary Ware



Closed Coupled S Trap WC



Back to Wall WC



Counter Top Basin Sink



Wall Hung WC

Matt White Sanitary Ware



Closed Coupled S Trap WC



Back to Wall WC



Counter Top Basin Sink



Wall Hung WC

Dallas Special Finish collection



NM-30205HG
GOLD



NM-30205HRG
ROSE GOLD



NM-30205HB
BLACK



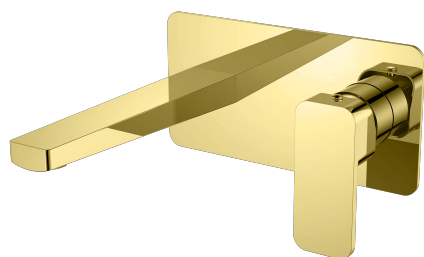
NM30205HG
GOLD



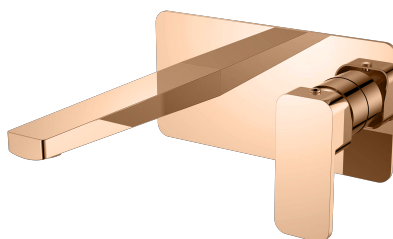
NM30205HRG
ROSE GOLD



NM30205HB
BLACK



NM-30205-SEG
GOLD



NM-30205-SERG
ROSE GOLD



NM-30205-SEB
BLACK



NM-30200
CHROME



NL-30255G
GOLD



NL-30255RG
ROSE GOLD



NL-30255B
BLACK



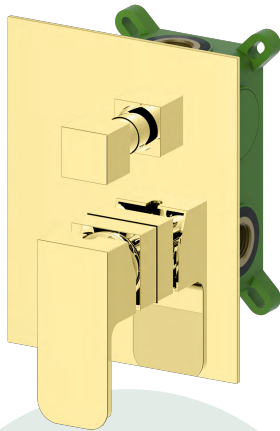
NM-30256G
GOLD



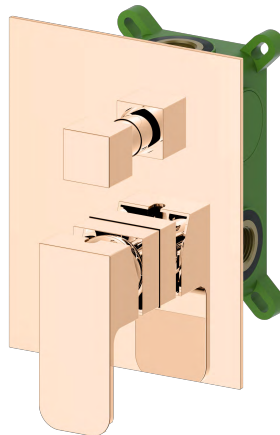
NM-30256RG
ROSE GOLD



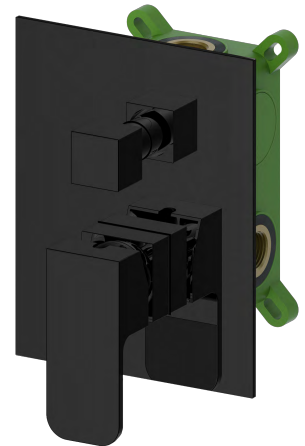
NM-30256B
BLACK



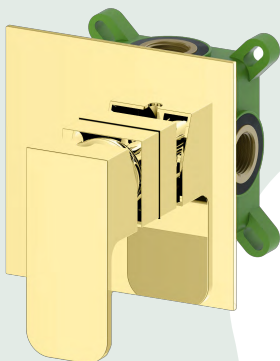
NM-30200G
GOLD



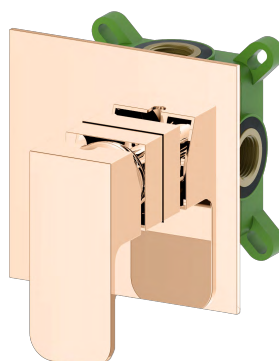
NM-30200RG
ROSE GOLD



NM-30200B
BLACK



NM-30201G
GOLD



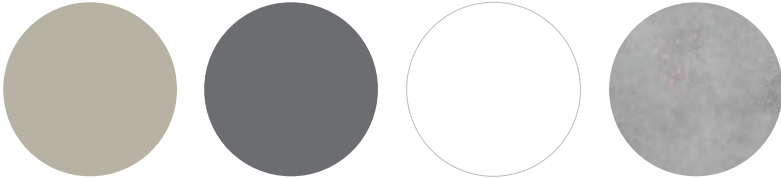
NM-30201RG
ROSE GOLD



NM-30201B
BLACK

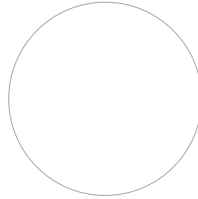
Modern Bathroom Furniture

- Bathroom vanity.
- LED mirror.
- Artificial Stone / ceramic basin.
- Available in multiple colors:





- Available in multiple colors:



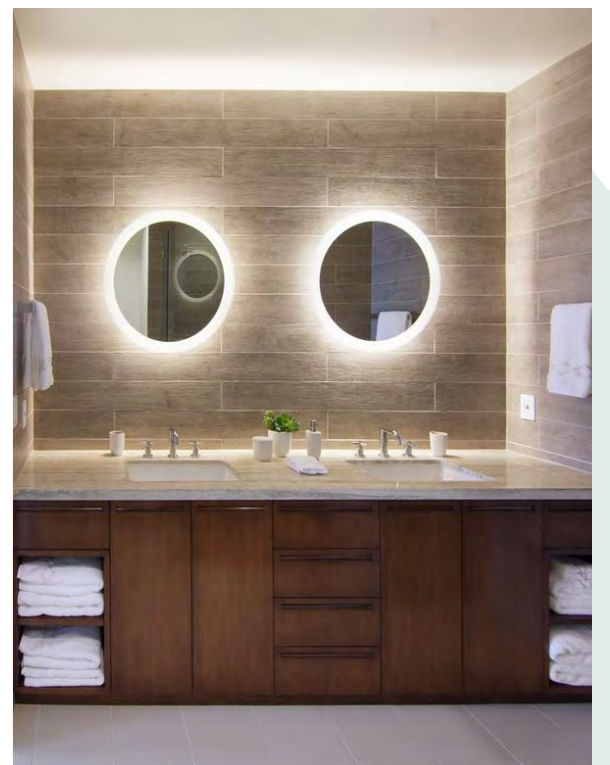
Tempered Shower Glass

- Aluminium Profile
- Tempered Glass Thickness 6mm, 8mm, 10mm
- Clear, Silk Screen, or Frosted Glass



Hotel Bathroom Mirrors with LED Backlight

- Built in LED backlighting.
- Built in antifog system.
- Available in multiple sizes and shapes custom made as per client requirements.







برو جرين
PROGREEN

Exclusive Distributor in Qatar

+974 7793 7322

✉ progreen@nabinaholding.com

🌐 www.pro-green.qa

USA Head Office:

NIAGARA CONSERVATION CORP.,
1200 Lakeside Parkway
Suite 450 Flower Mound,
TX 75028 , USA ,

www.niagaracorp.com